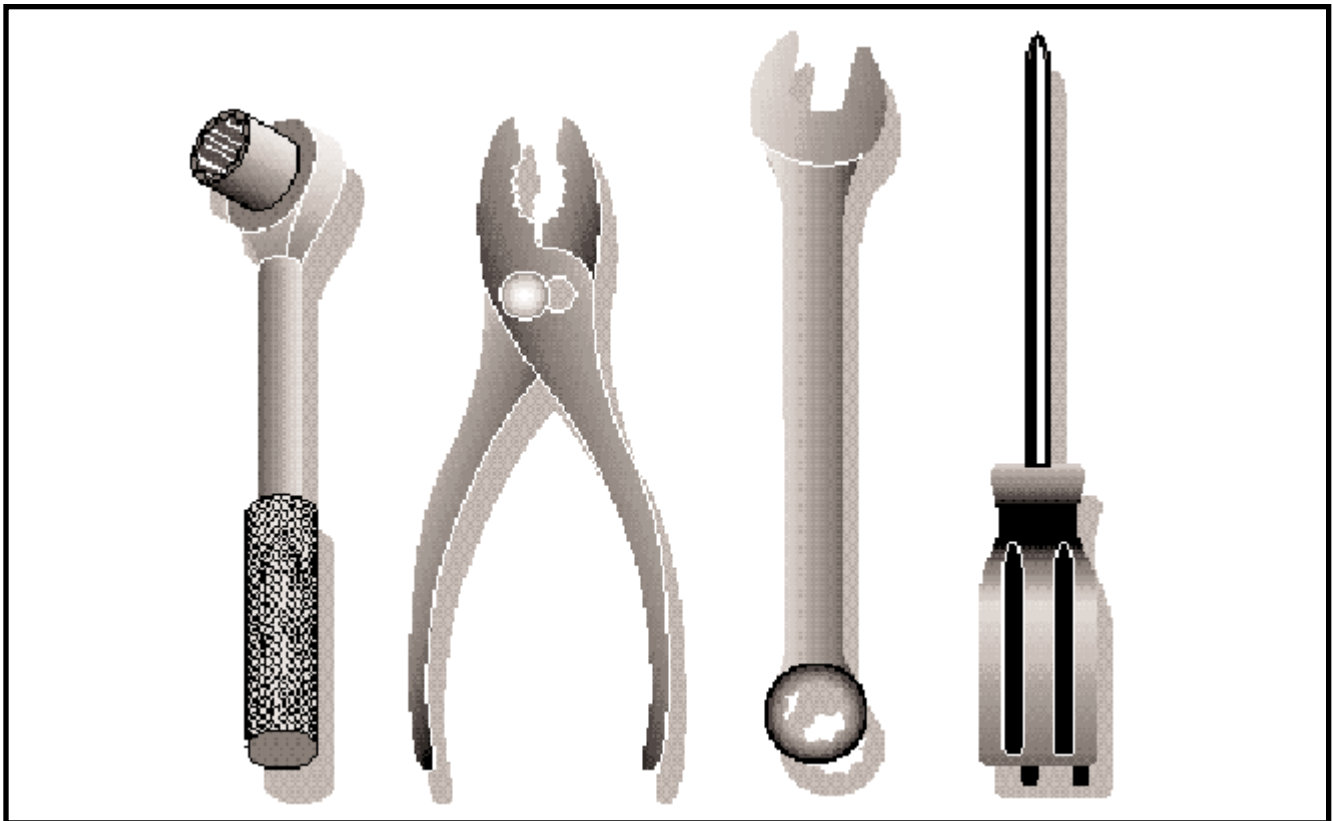


## GC 300 (5708-1703)

Grass Catcher For RER 800

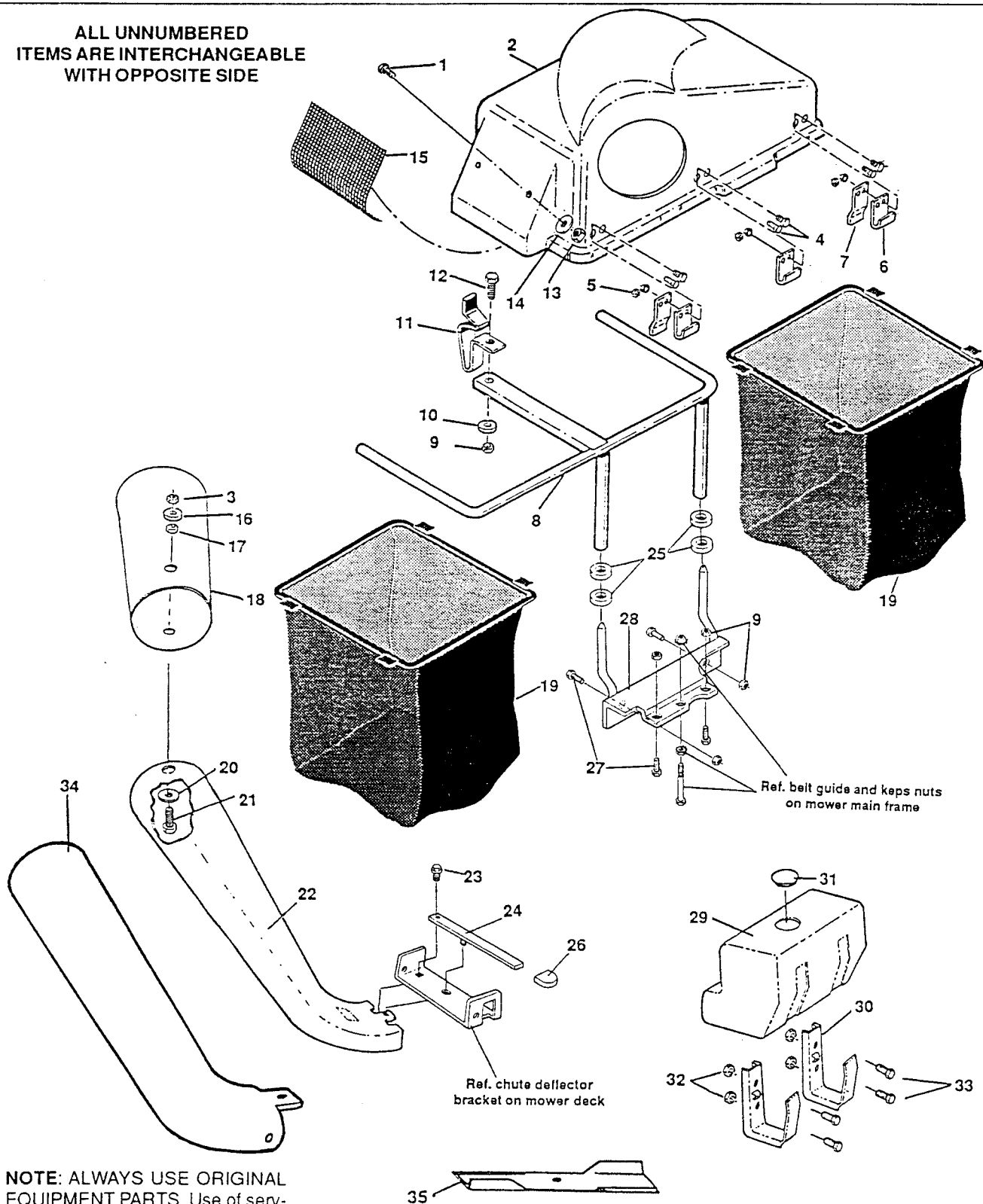


Repair Parts Manual    Accessory (Ride Mower)

# REPAIR PARTS

## REAR MOUNTED, SIDE DISCHARGE GRASS CATCHER MODEL 5708-1703

ALL UNNUMBERED  
ITEMS ARE INTERCHANGEABLE  
WITH OPPOSITE SIDE



**NOTE:** ALWAYS USE ORIGINAL EQUIPMENT PARTS. Use of service replacement parts other than original equipment parts may void your warranty.

## REAR MOUNTED, SIDE DISCHARGE GRASS CATCHER MODEL 5708-1703

ALWAYS GIVE THE FOLLOWING INFORMATION WHEN ORDERING REPAIR PARTS:

1. THE PART NUMBER; 2. The PART NAME; 3. QUANTITY DESIRED; 4. The MODEL NUMBER (As shown on Model Plate).

SEND PART ORDERS AS PER INSTRUCTIONS ON THE FRONT PAGE.

YOUR UNIT IS RIGHT HAND (RH) OR LEFT (LH) AS YOU STAND BEHIND IT.

DO NOT USE KEY NUMBERS WHEN ORDERING REPAIR PARTS, ALWAYS USE PART NUMBERS.

All replacement parts will be supplied in current production colors or in a neutral color.

A handling fee is applicable to small parts orders.

Key No.	Part No.	Description	Key No.	Part No.	Description
1	57034	Screw, SI Fl Hd, No. 10-24 x 5/8 In.	21	180020	*Screw, Hex Hd, 1/4-20 x 3/4 In.
2	306943	Cover	22	57786	Chute, Transition
3	1502	Locknut, 1/4-20 Thd.			(for 36" deck models)
4	55686	Screw, SI Rd Hd, 1/4-20 x 5/8 In.	23	35497	Screw, Taptite, 5/16-18 x 1/2 In.
5	271172	*Nut, Keps, 1/4-20 Thd.			(for 36" deck models)
6	315449	Hinge, Cover	24	9137	Lever, Latch
7	300624	Strap, Retainer	25	302131	Spacer (for 30" deck models)
8	304976	Support Assembly	26	42348	Grip
9	1498	Locknut, 5/16-18 Thd.	27	122028	*Screw, Hex Hd, 5/16-18 x 5/8 In.
10	120393	Flatwasher, 11/32 In.	28	304949	Lower Support
11	12346	Latch, Bagger	29	304263	Tank, Weight
12	120834	Screw, Hex Hd, 5/16-18 x 1/2 In.	30	304952	Bracket, Weight
13	271166	Nut, Keps, No. 10-24 Thd.	31	53383	Plug, Weight Tank
14	1501	Flatwasher, 13/64 In.	32	45174	Nut, Hex Hd Wide Flange, 5/16-18 Thd.
15	300115	Screen	33	122017	Screw, Hex Hd, 5/16-18 x 1 In.
16	57626	Flatwasher, 9/32 In.	34	314524	Chute, Transition
17	57506	Rubber Grommet			(for 30" deck models)
18	306783	Upper Tube Assembly	35	323469	Blade, Hi-Lift (for 30" deck models)
19	58283	Bag	35	323113	Owner's Manual (Not Illustrated)
20	120386	*Flatwasher, 5/16 In.			

(\*) Standard Hardware Items - May be Purchased Locally.