

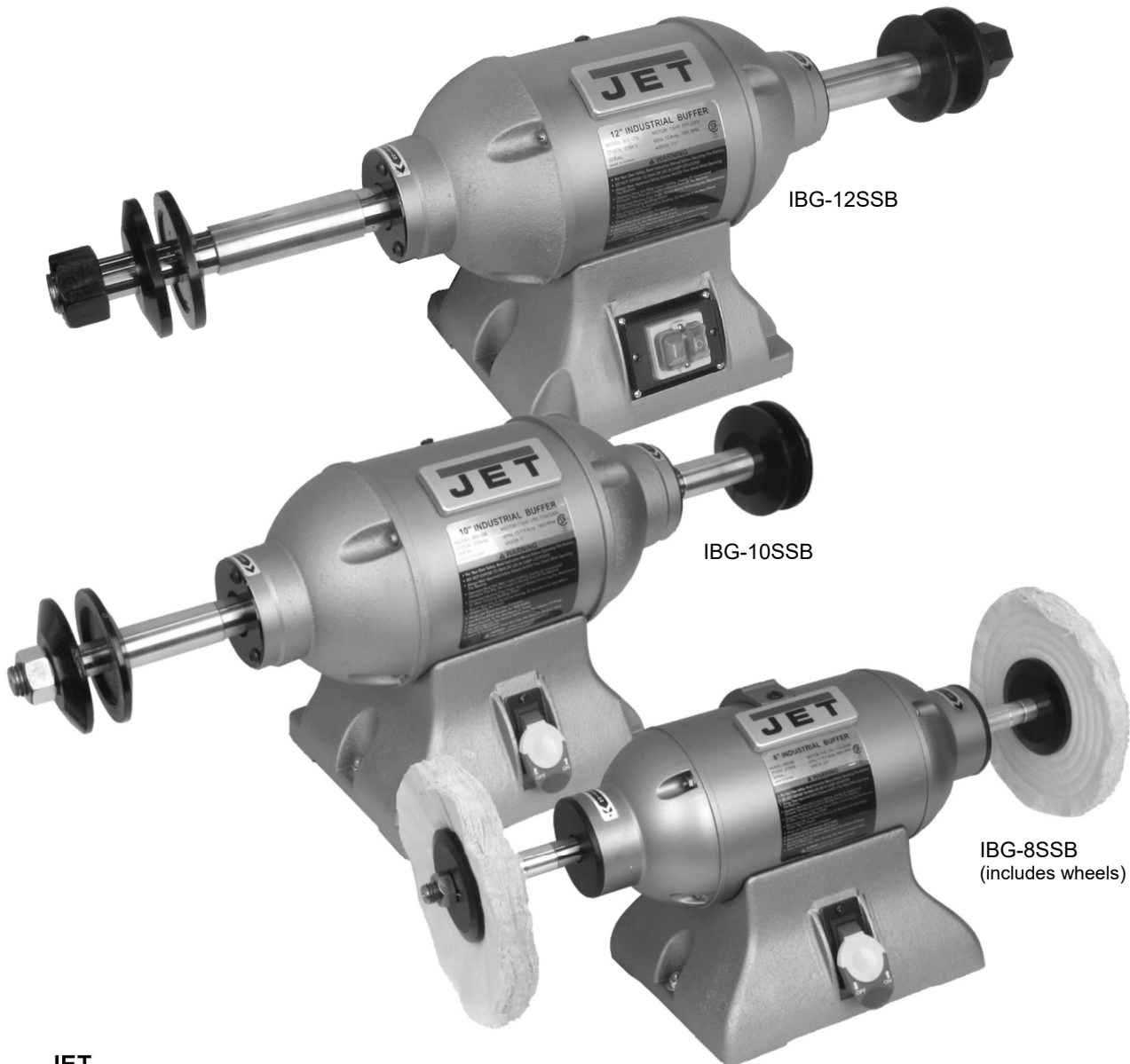


Record purchase information:

Model No.:	Stock No.:
Serial No.:	
Purchased from:	
Date purchased:	

Operating Instructions and Parts Manual Industrial Buffing Machines

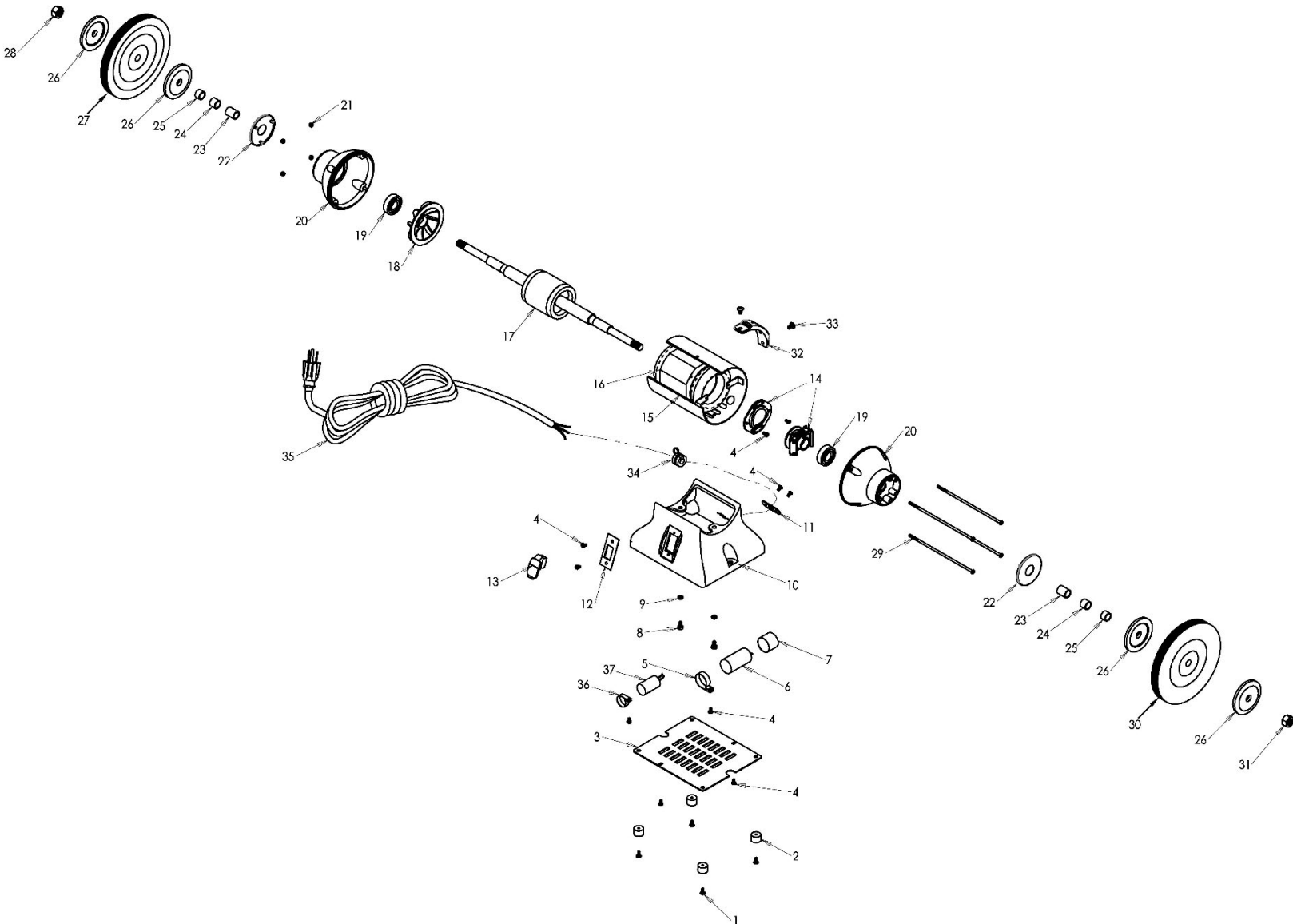
Models IBG-8SSB, IBG-10SSB, IBG-12SSB



JET
427 New Sanford Road
LaVergne, Tennessee 37086
Ph.: 800-274-6848
www.powermatic.com

Part No. M-577408
Edition 1 12/2019
Copyright © 2019 Powermatic

11.1.1 IBG-8SSB Buffer – Exploded View



11.1.2 IBG-8SSB Buffer – Parts List

Index No.	Part No.	Description	Size	Qty
1	IBG8-01	Truss Head Screw	3/16"-24 x 1/4"	4
2	IBG8-02	Rubber Pad		4
3	IBG8-03	Base Plate		1
4	IBG8-04	Truss Head Screw	3/16"-24 x 3/8"	10
5	IBG8-05	Capacitor Bracket		1
6	IBG8-06	Start Capacitor	200MFD, 125VAC	1
7	IBG8-07	Capacitor Cover		1
8	TS-0050021	Hex Cap Screw	1/4"-20 x 5/8"	2
9	TS-0720071	Lock Washer	1/4"	2
10	IBG8-10	Base		1
11	IBG8-11	Cord Plate		1
12	IBG8-12	Switch Plate		1
13	IBG8-13	Switch with Safety Key		1
	IBG8-13-1	Safety Key		1
14	IBG8-41	Centrifugal Switch Assembly		1
15	IBG8-14	Motor Housing		1
16	IBG8-15	Stator		1
17	IBG8SSB-17	Rotor with Shaft		1
18	IBG8-17	Motor Fan		1
19	BB-6204ZZ	Ball Bearing	6204ZZ	2
20	IBG8-19	End Bell		2
21	TS-1540031	Hex Nut	M5	4
22	IBG8VSB-22	End Cap		2
23	IBG8VSB-23	Spacer	L 25mm	2
24	IBG8VSB-24	Spacer	L 16mm	2
25	IBG8VSB-25	Spacer	L 13mm	2
26	IBG8-22	Wheel Flange	4-1/8" OD, 5/8" ID	4
27	IBG8VSB-27	Buffing Wheel (full spiral sewn)	Ø8" x W 1/2" x B 5/8"	1
28	IBG8-24	Hex Nut (LH Thread)	5/8"-11UNC LH	1
29	IBG8-42	Screw	M5 x 0.8 x 205	4
30	IBG8VSB-30	Buffing Wheel (half spiral sewn)	Ø8" x W 1/2" x B 5/8"	1
31	IBG8-44	Hex Nut (RH Thread)	5/8"-11UNC	1
32	IBG8-50	Lamp Fixed Bracket		1
33	F000297	Phillips Pan Hd Machine Screw	1/4"-20 x 3/8"	2
34	IBG8-47	Strain Relief		1
35	IBG8-46	Power Cord with 15A Plug	16AWG x 3C SJT	1
36	IBG8-48	Capacitor Bracket		1
37	IBG8-49	Running Capacitor	35µF, 250V	1
	LM000410	ID/Warning Label, IBG-8SSB (not shown)		1
	JET-92-73R	JET Logo (not shown)	92x38mm	1