

# OCDC KIT

**Spare parts**

**Ersatzteile**

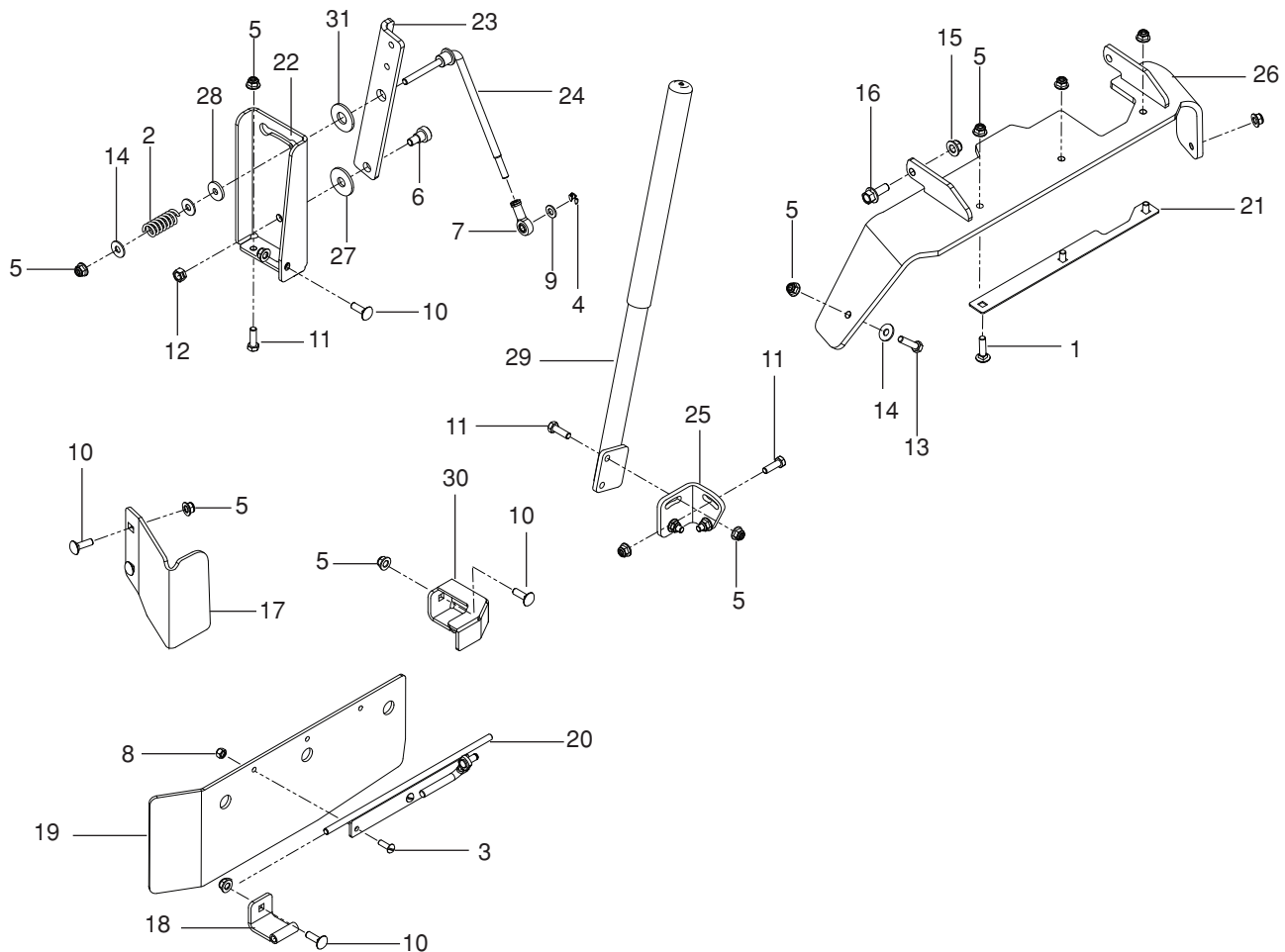
**Pièces détachées**

**Reserve onderdelen**

**Repuestos**

**Reservdelar**

# PARTS LIST



ITEM	PART NO.	QTY.	DESCRIPTION
1..	539 100472....3	....3	RHSNB $\frac{5}{16}$ -18 x $1\frac{1}{4}$
2..	539 104986....1	....1	SPRING
3..	539 108388....3	....3	SCREW $\frac{1}{4}$ -20 x $\frac{3}{4}$ RD HD GR2
4..	539 109303....1	....1	RETAINING RING
5..	539 112899..17	....17	NUT $\frac{5}{16}$ -18 HEX FLANGE NYLOC
6..	539 113621....1	....1	SHLDER BOLT $\frac{3}{8}$ -16 x $\frac{3}{8}$ SKT HD
7..	539 115729....1	....1	ROD END RH
8..	539 976978....3	....3	NUT $\frac{1}{4}$ -20 HEX NYLOC
9..	539 990188....1	....1	WASHER $\frac{5}{16}$ SAE FLAT
10..	539 990208....5	....5	SHLDER BOLT $\frac{5}{16}$ -18 x 1 RD HD
11..	539 990209....6	....6	HCS $\frac{5}{16}$ -18 x 1
12..	539 990546....1	....1	NUT $\frac{3}{8}$ -16 HEX CNTRLK
13..	539 990627 ...2	....2	HCS $\frac{5}{16}$ -18 x $1\frac{1}{4}$
14..	539 990692....4	....4	WASHER, $\frac{5}{16}$ STD FLT
15..	521 996501....2	....2	NUT $\frac{3}{8}$ -16 HEX FLG NYLOC
16..	525 612801....2	....2	HHFS $\frac{3}{8}$ -16 x 1

ITEM	PART NO.	QTY.	DESCRIPTION
17..	529 274602....1	....1	BLOCKER PLATE
18..	573 957701....1	....1	PIVOT MOUNTING
19..	574 568302....1	....1	GATE, 54"
	573 958302....1	....1	GATE, 60"
20..	573 958501....1	....1	HINGE PLATE
21..	573 982802....1	....1	REINFORCEMENT PLATE
22..	574 517002....1	....1	MOUNTING BRACKET
23..	574 517602....1	....1	MAIN LINK
24..	574 521201....1	....1	GATE PIVOT
25..	574 527102....1	....1	BRACKET, HANDLE SWIVEL
26..	574 555102....1	....1	CHUTE MOUNT
27..	574 609601....1	....1	WASHER, FRICTION $\frac{1}{2}$
28..	574 694901....1	....1	WASHER, FRICTION $\frac{5}{16}$
29..	574 700601....1	....1	HANDLE ASSY w/ GRIP
30..	574 704701....1	....1	PIVOT GUARD
31..	574 714801....1	....1	WASHER, FRICTION $\frac{5}{8}$ NOM ID