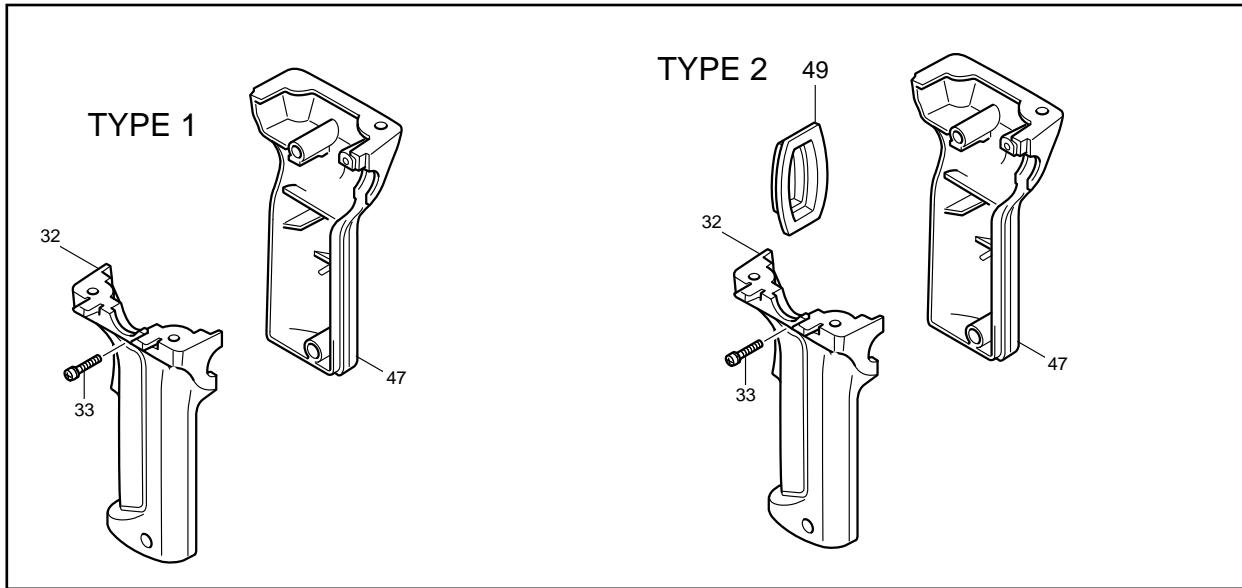


| Item No. | Part No. | Qty. Used | Description | Item No. | Part No. | Qty. Used | Description |
|----------|----------|-----------|---|----------|----------|-----------|------------------|
| 1 | *** | 1 | - FLAT HEAD SCREW M6X22 | 48 | 411485-9 | 1 | HANDLE SET |
| 3 | 325494-1 | 1 | SPINDLE | | | | INC. 42 |
| 4 | 254211-1 | 1 | KEY 5 | 49 | * | 1 | DUST COVER |
| 5 | 285808-5 | 1 | BEARING RETAINER 25-36 | 65 | ** | 2 | RETAINER |
| 6 | 211206-7 | 1 | BALL BEARING 6202LLB | | | | |
| 7 | 312989-3 | 1 | GEAR HOUSING COVER INC. 27 | | | | |
| 8 | 212012-3 | 1 | NEEDLE BEARING 609 | | | | |
| 9 | 261008-1 | 1 | FIBER WASHER 6 | | | | |
| 10 | 226028-2 | 1 | GEAR COMPLETE 7-41 | | | | |
| 11 | 211016-2 | 1 | BALL BEARING 626LLB | | | | |
| 12 | 263002-9 | 1 | RUBBER PIN 4 | | | | |
| 13 | 312988-5 | 1 | GEAR HOUSING INC. 12 | | | | |
| 14 | **** | 4 | TAPPING SCREW BT M5X35 | | | | |
| 15 | 257018-4 | 1 | RING 15 | 2 | *** | 1 | DRILL CHUCK S13 |
| 16 | 221261-1 | 1 | SPUR GEAR 47 | 400 | *** | 1 | CHUCK KEY S13 |
| 17 | 961054-1 | 1 | RETAINING RING S-14 | 401 | 152492-0 | 1 | GRIP 36 COMPLETE |
| 18 | 212003-4 | 1 | NEEDLE BEARING 810 | | | | |
| 19 | 253192-6 | 1 | FLAT WASHER 14 | | | | |
| 20 | 263002-9 | 1 | RUBBER PIN 4 | | | | |
| 21 | 211033-2 | 1 | BALL BEARING 608LB | | | | |
| 22 | 681613-2 | 1 | INSULATION WASHER | | | | |
| 23 | ** | 1 | ARMATURE ASS'Y 115V INC. 21,22,24-26 | | | | |
| 24 | 241622-9 | 1 | FAN 62 | | | | |
| 25 | 213002-9 | 1 | DUST SEAL 8 | | | | |
| 26 | 211031-6 | 1 | BALL BEARING 608LLB | | | | |
| 27 | 263002-9 | 1 | RUBBER PIN 4 | | | | |
| 28 | **** | 2 | TAPPING SCREW BT M5X60 | | | | |
| 29 | 411487-5 | 1 | BAFFLE PLATE | | | | |
| 30 | ** | 1 | FIELD ASS'Y 115V | | | | |
| 31 | 651564-3 | 1 | SWITCH SL220SD-4 | | | | |
| 32 | * | 1 | SWITCH HANDLE COVER SET INC. 47 | | | | |
| 33 | * | 3 | PAN HEAD SCREW M4X28 | | | | |
| 35 | **** | 4 | TAPPING SCREW BT M5X28 | | | | |
| 36 | 911133-5 | 2 | PAN HEAD SCREW M4X18 | | | | |
| 37 | 687002-9 | 1 | STRAIN RELIEF | | | | |
| 38 | 682502-4 | 1 | CORD GUARD 8-85 | | | | |
| 39 | 664064-4 | 1 | POWER SUPPLY CORD AWG#18-2-2.5 | | | | |
| 40 | **** | 1 | MOTOR HOUSING COMPLETE INC. 20 | | | | |
| 41 | 911153-9 | 4 | PAN HEAD SCREW M4X28 | | | | |
| 42 | 411485-9 | 1 | HANDLE SET INC. 48 | | | | |
| 44 | 953106-2 | 2 | RIVET 0-5 | | | | |
| 45 | 181021-2 | 1 | CARBON BRUSH CB-51 | | | | |
| 46 | 643550-8 | 2 | BRUSH HOLDER CAP 5-8 | | | | |
| 47 | * | 1 | SWITCH HANDLE COVER SET INC. 32 | | | | |

ACCESSORIES

SERVICE CHANGE

1. Dust Cover has been added.

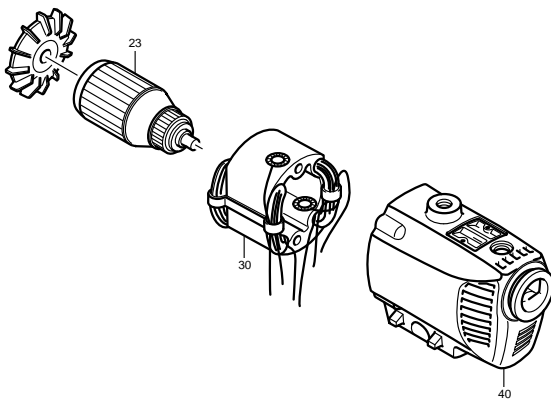


Interchangeability(I/C)

| Item No. | Type 1 | Q'ty | I/C | Type 2 | Q'ty | Note |
|----------|---|------|-----|-------------------------------------|------|---------------------------------------|
| 32 | Switch Handle Cover (L) 411484-1 (Discontinued) | 1 | No | Switch Handle Cover Set 183110-9 | 1 | ↑ Interchangeable as a set ↓ |
| 47 | Switch Handle (R) 411483-3 (Discontinued) | 1 | No | | | |
| 33 | Pan Head Screw Uses 2 pcs. | 2 | No | Pan Head Screw Uses 3 pcs. | 3 | |
| 49 | | | No | Dust Cover 421297-2 | 1 | |

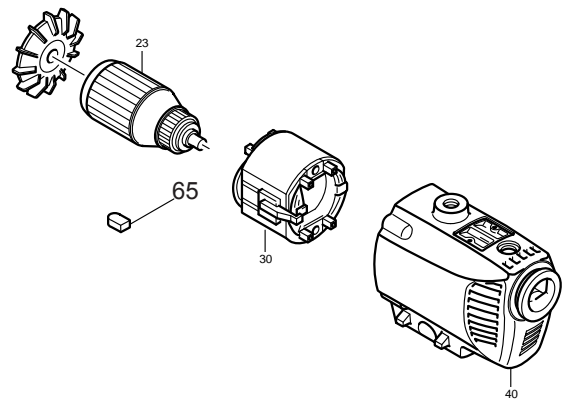
2. Change on Armature.

TYPE 1



6 AMP

TYPE 2

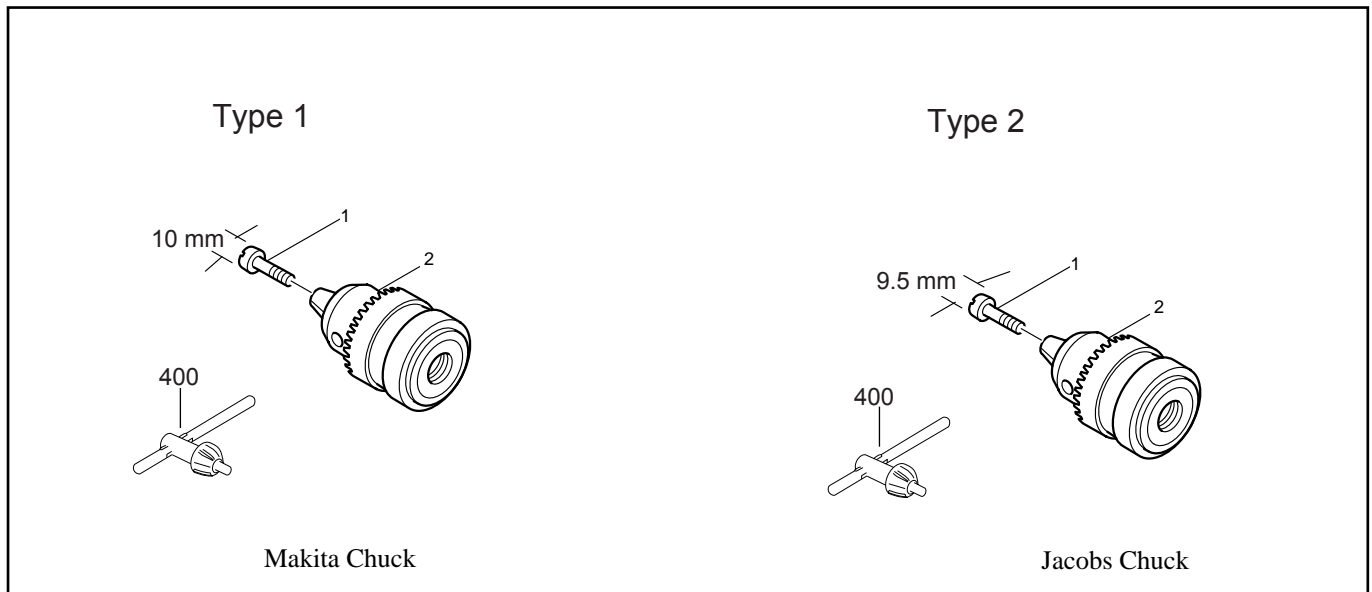


6.3 AMP

Interchangeability(I/C)

| Item No. | Type 1 | Q'ty | I/C | Type 2 | Q'ty | Note |
|----------|---|------|-----|---|------|---------------------------------------|
| 23 | Armature 612611-5 | 1 | No | Armature 616196-3 | 1 | ↑ Interchangeable as a set ↓ |
| 30 | Field 622436-9 | 1 | No | Field 634206-4 | 1 | |
| 40 | Motor Housing 156443-5 (Discontinued) | 1 | No | Motor Housing 159726-2 (See Service Change 4) | 1 | |
| 65 | | | No | Retainer 343657-7 | 2 | |

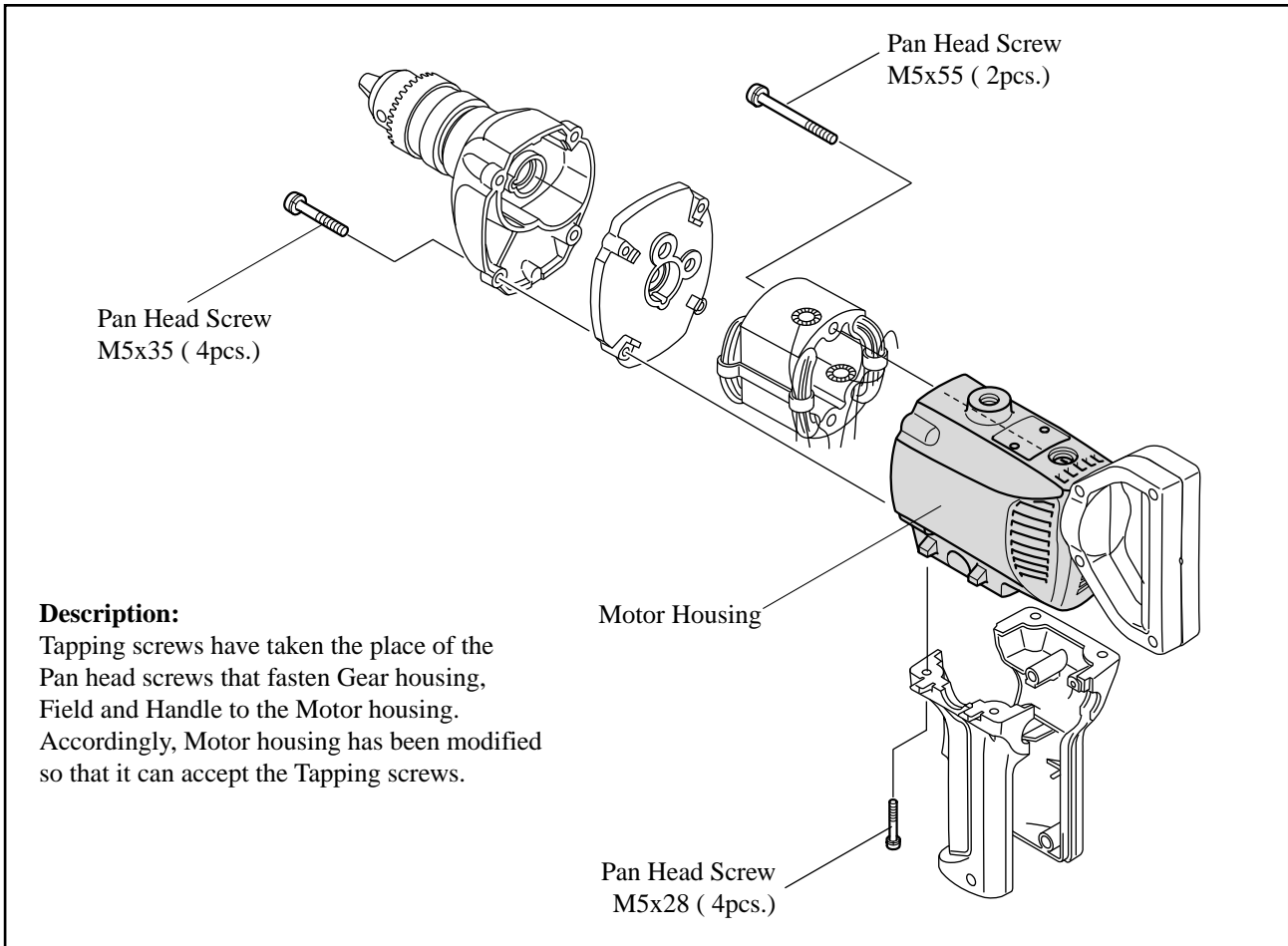
3. Change on Drill Chuck and Chuck Key.



Interchangeability(I/C)

| Item No. | Type 1 | Type 2 | Q'ty | I/C | Type 3 | Q'ty | Note |
|----------|-------------------------|--|------|-----|-------------------------|------|---------------------------------|
| 1 | Screw M6x22 251425-3 | Screw M6x22 251441-5 | 1 | No | | 1 | Interchangeable as a set |
| 2 | Drill Chuck 763047-2 | Drill Chuck 763047-2A (Discontinued) | 1 | No | Drill Chuck 763078-1 | 1 | |
| 400 | Chuck Key 763411-7 | Drill Chuck 763411-7A (Discontinued) | 1 | No | Chuck Key 763420-6 | 1 | |

4. Change on Motor Housing and Pan Head Screw.



Interchangeability(I/C)

| Item No. | Type 2 | Q'ty | I/C | Type 3 | Q'ty | Note |
|----------|---|------|-----|------------------------------------|------|---------------------------------------|
| 14 | Pan Head Screw M5x35 911256-9 | 4 | No | Tapping Screw BT M5x35 266105-8 | 4 | ↑ Interchangeable as a set ↓ |
| 28 | Pan Head Screw M5x55 911280-2 | 2 | No | Tapping Screw BT M5x60 266106-6 | 2 | |
| 35 | Pan Head Screw M5x28 911248-8 | 4 | No | Tapping Screw BT M5x28 266107-4 | 4 | |
| 40 | Motor Housing 159726-2 (Discontinued) | 1 | No | Motor Housing 416214-5 | 1 | |