



SERVICE PARTS LIST

BULLETIN NO.
54-38-0950

SPECIFY CATALOG NO. AND SERIAL NO. WHEN ORDERING PARTS		REVISED BULLETIN	DATE
RANDOM ORBIT SANDER with DUST PICK-UP			Dec. '95
CATALOG NO.	6019	SERIAL NUMBER	877A
		WIRING INSTRUCTION 58-01-0220	



EXAMPLE:
Component Parts (Small #) Are Included
When Ordering The Assembly (Large #).

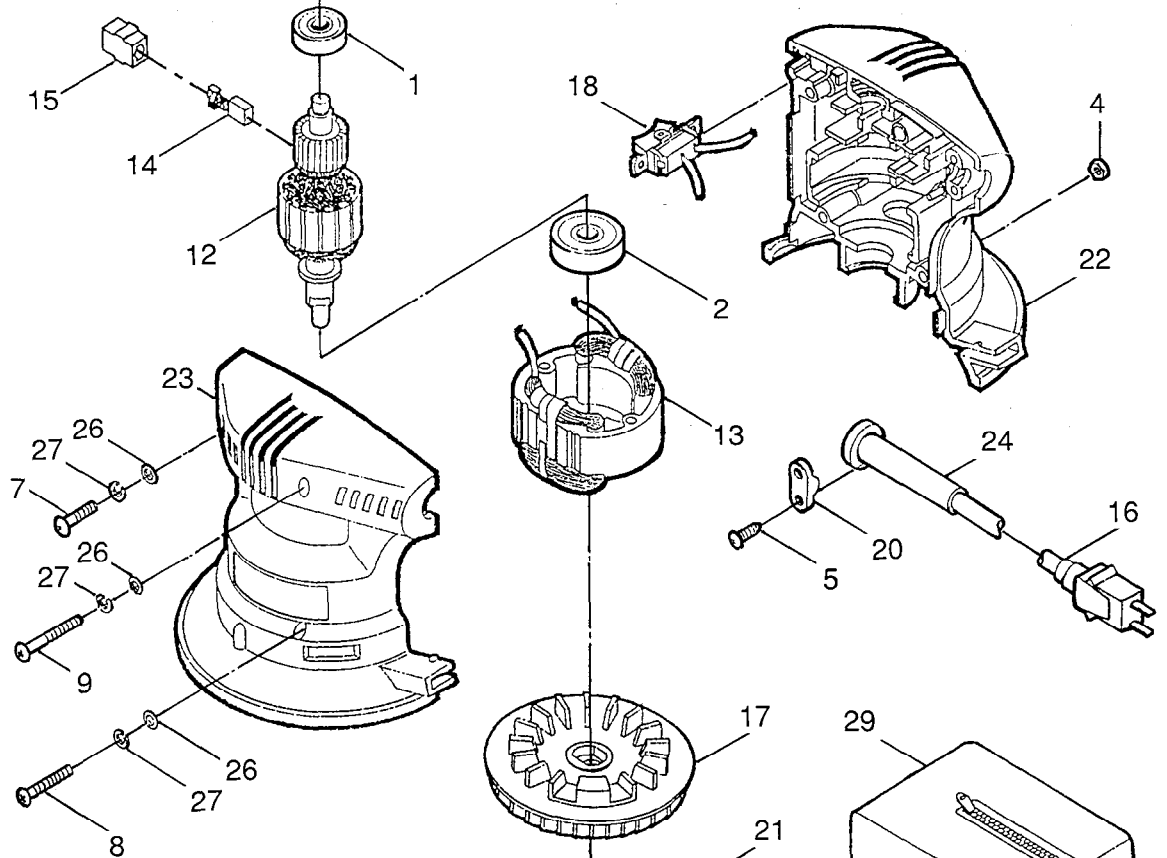
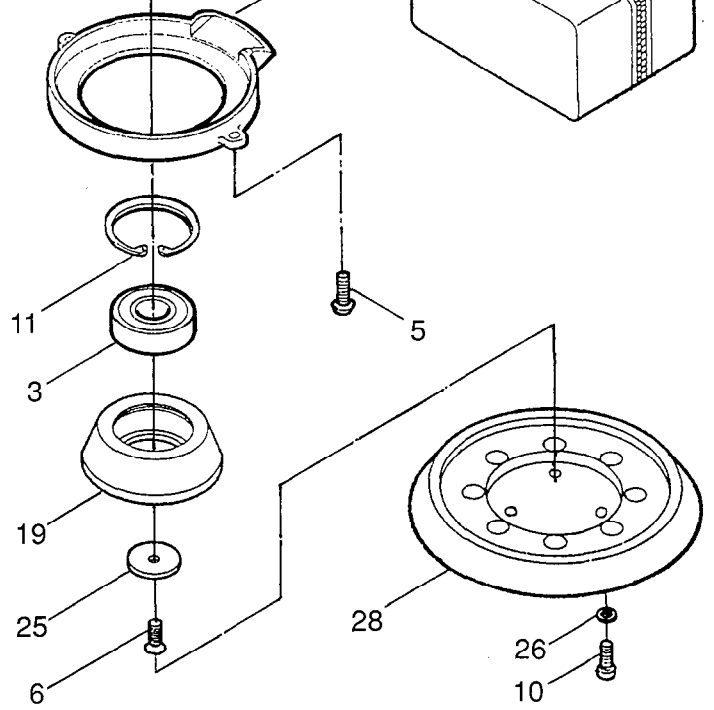


FIG.	PART NO.	DESCRIPTION OF PART	NO. REQ.
1	02-04-0710	Ball Bearing	(1)
2	02-04-1050	Ball Bearing	(1)
3	02-04-1536	Ball Bearing	(1)
4	05-55-0104	M4 Hex Nut	(4)
5	05-78-0414	TS4 x 14 Tapping Screw	(4)
6	05-80-0420	M4 x 15 Counter Sunk Screw	(1)
7	05-81-0433	M4 x 27 Pan Hd. Screw	(1)
8	05-81-0440	M4 x 40 Pan Hd. Screw	(2)
9	05-81-0458	M4 x 60 Pan Hd. Screw	(1)
10	05-81-0805	M4 x 10 Pan Hd. Screw	(3)
11	05-92-0035	Retaining Ring	(1)
12	16-10-0625	Armature	(1)
13	18-10-0135	Field	(1)
14	22-16-0340	Carbon Brush	(2)
15	22-20-0740	Brush Holder	(2)
16	22-64-3030	Cord Set	(1)
17	22-84-0815	Fan - Dust Pick Up	(1)
18	23-66-1670	Switch	(1)
19	42-28-0215	Bearing Block	(1)
20	42-68-0590	Cord Clamp	(1)
21	43-56-0465	Fan Cover	(1)
22	43-76-0533	Main Housing - Right	(1)
23	43-76-0543	Sub Housing - Left	(1)
24	44-76-0190	Strain Relief	(1)
25	44-86-0435	Bearing Retainer	(1)
26	45-88-8265	M4 Flat Washer	(7)
27	45-88-8270	M4 Spring Washer	(4)
28	49-36-7075	Sanding Pad - Hook And Loop	(1)
29	48-09-0310	Dust Bag Assembly (Accessory)	(1)
	12-20-6019	Service Nameplate Kit	(1)
	10-98-6018	Caution Plate	(1)



MILWAUKEE ELECTRIC TOOL CORPORATION
13135 W. LISBON RD., BROOKFIELD, WI 53005