



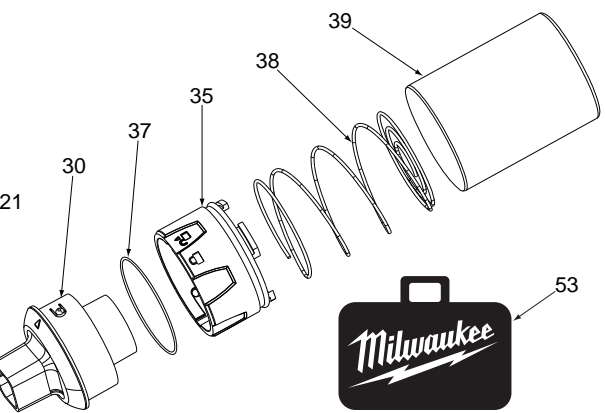
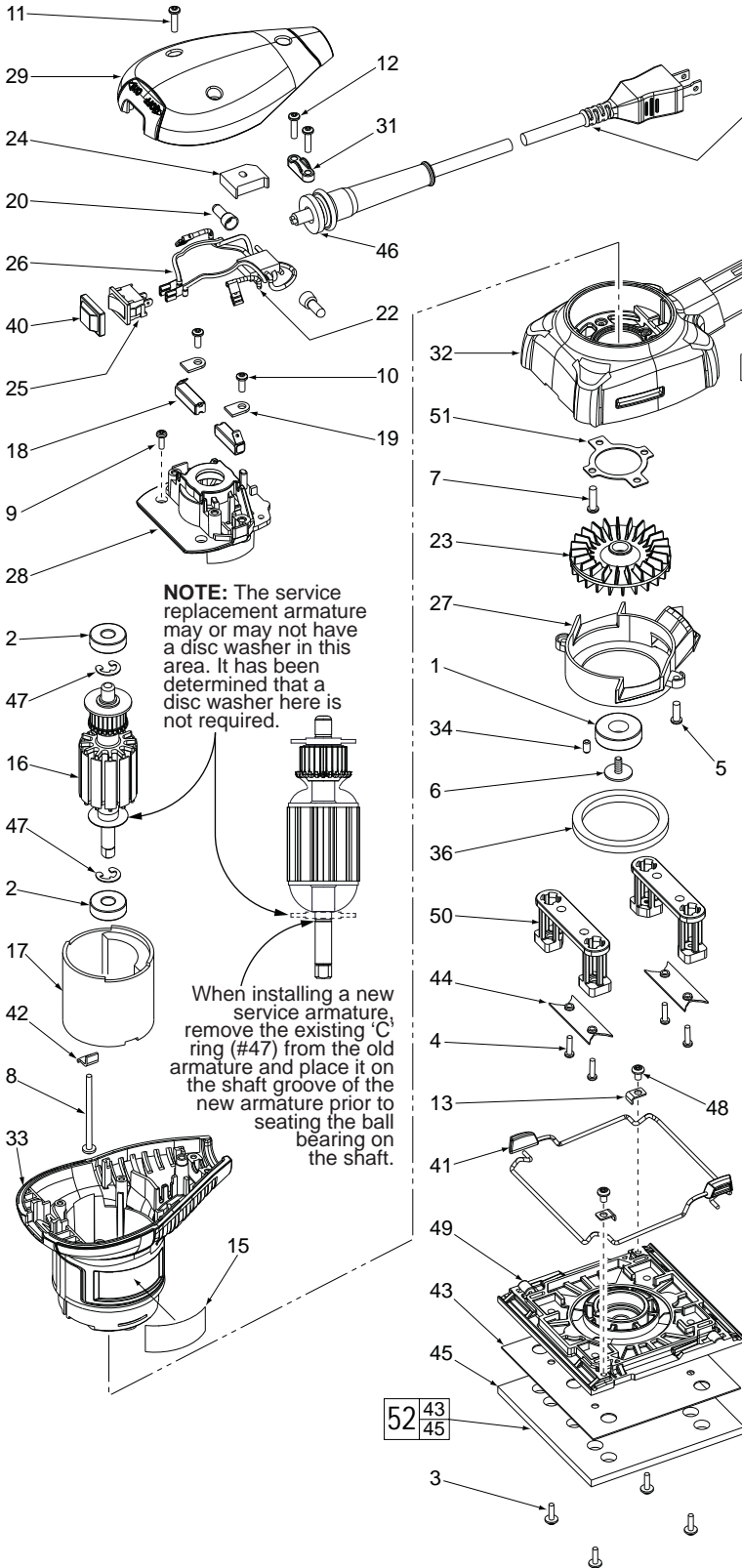
SERVICE PARTS LIST

BULLETIN NO.
54-38-0411

SPECIFY CATALOG NO. AND SERIAL NO. WHEN ORDERING PARTS		REVISED BULLETIN 54-38-0410	DATE Jan. 2014
1/4 SHEET PALM SANDER			
CATALOG NO.	6020-21	STARTING SERIAL NO.	B18B
		WIRING INSTRUCTION See Reverse Side	

EXAMPLE:
Component Parts (Small #)
Are Included When Ordering
The Assembly (Large #).

★ = Part number change from
previous service parts list.



NOTE: The service replacement armature may or may not have a disc washer in this area. It has been determined that a disc washer here is not required.

When installing a new service armature, remove the existing 'C' ring (#47) from the old armature and place it on the shaft groove of the new armature prior to seating the ball bearing on the shaft.

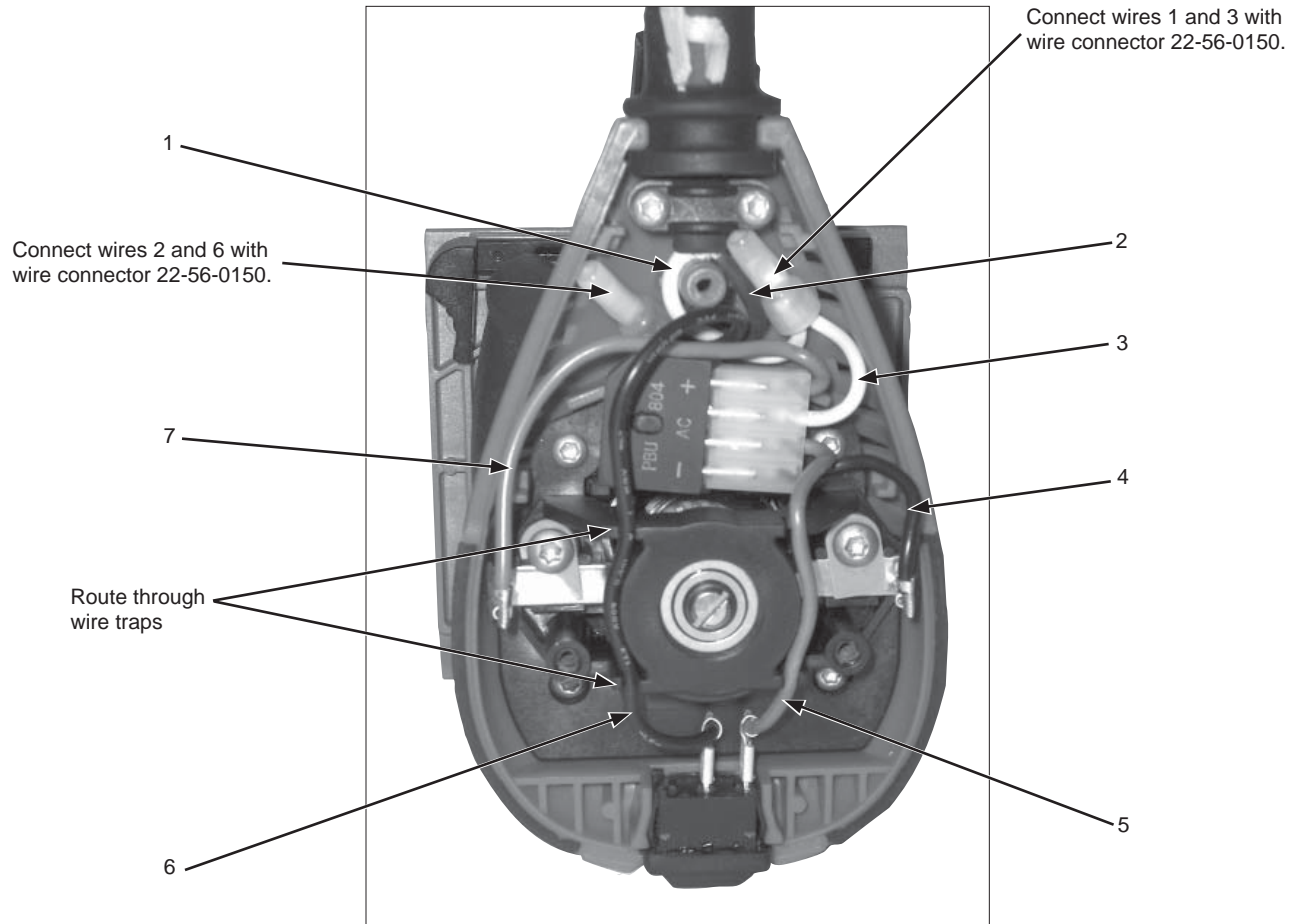
FIG.	PART NO.	DESCRIPTION OF PART	NO. REQ.
1	02-04-5155	Bearing	1
2	02-04-5165	Bearing	2
3	05-74-0305	M3 x 15mm Pan Hd. T-20 Screw	4
4	05-81-0195	M3 x 12mm Pan Hd. Screw	4
5	06-81-0115	6-19 x 1/2" Pan Hd. T-15 Screw	2
6	06-81-0120	T-25 Screw with Washer	1
7	06-81-0125	8-20 x 7/16" T-15 Screw with Washer	4
8	06-81-0130	8-10 x 2-1/8" Pan Hd. T-20 Screw	2
9	06-81-0135	6-19 x 7/16" Pan Hd. T-15 Screw	4
10	05-74-0995	8-16 x 1/2" Pan Hd. T-20 Screw	2
11	06-81-0145	8-18 x 5/8" Pan Hd. T-15 Screw	3
12	06-81-0150	6-19 x 5/8" Pan Hd. T-15 Screw	2
★13	44-66-0275	Clamp Retaining Clip	2
14	10-98-6045	Warning Label, Multi-Lingual	1
15	12-20-6045	Service Nameplate	1
16	16-10-0631	Armature	1
17	18-10-0141	Field	1
18	22-18-1170	Carbon Brush Assembly w/Shunt Wire	2
19	22-38-0180	Brush Clamp	2
20	22-56-0150	Wire Connector (see wiring)	2
21	22-64-1210	Cord	1
22	22-80-0105	Moles Assembly	1
23	22-84-0835	Fan	1
24	23-38-2855	Rectifier	1
25	23-66-1661	Switch	1
26	23-94-2660	Switch Wire Harness	1
27	31-05-0420	Fan Baffle	1
28	31-12-0390	Bearing Housing	1
29	31-12-0395	Top Cap	1
30	31-15-1525	Dust Chute	1
31	31-17-0530	Cord Clamp	1
32	31-50-2110	Housing	1
33	31-50-2115	Motor Housing	1
34	31-53-0240	Plug	1
35	31-58-0690	Dust Bag Locking Ring	1
36	31-76-0155	Dust Shield	1
37	34-40-1870	Dust Chute O-Ring	1
38	40-50-1110	Compression Spring	1
39	42-16-0570	Dust Bag	1
40	42-38-0405	Switch Boot	1
★41	42-68-0870	Finger Tab Clamp Assembly	2
42	42-70-1005	Field Retaining Clip	2
43	-----	Stainless Steel Plate	1
44	44-52-0960	Retaining Clip	2
45	-----	Sanding Pad	1
46	44-76-0315	Strain Relief	1
47	44-86-1380	Retaining Ring	2
★48	06-82-0155	6-19 T-15 ST Screw	2
★49	31-06-0050	Base Plate	1
★50	45-60-0686	Cushion Post	2
51	45-88-1480	Motor Housing Shim	1
★52	14-67-0275	Sanding Pad Service Kit	1
	42-55-6020	Carrying Case	1
	44-66-5905	Plastic Paper Punch (Not Shown)	1

WIRING INSTRUCTIONS

NOTE:

As an aid to reassembly, take note of the wire routings and position of the wires in the wire guides and wire guides traps prior to dismantling the tool.

Watch for pinched wires when placing the handle cover back over the housing assembly.



NOTE:
All leads must be held to $\pm 1/16"$.
All lead lengths are before stripping.

WIRING SPECIFICATIONS			
Wire No.	Wire Color	Origin or Gauge	Terminals, Connectors and 1 or 2 End Wire Preparation
1	White	22-64-1210	Power Cord
2	Black	22-64-1210	Power Cord
3	White	22-80-0105	Moles Assembly
4	Black	22-80-0105	Moles Assembly
5	Brown	22-80-0105	Moles Assembly
6	Black	23-94-2660	Switch Wire Harness
7	Red	22-80-0105	Moles Assembly

BULK LEAD WIRE - BULLETIN 58-01-0003

TERMINAL DESCRIPTION		
Code	Part No.	Qty.