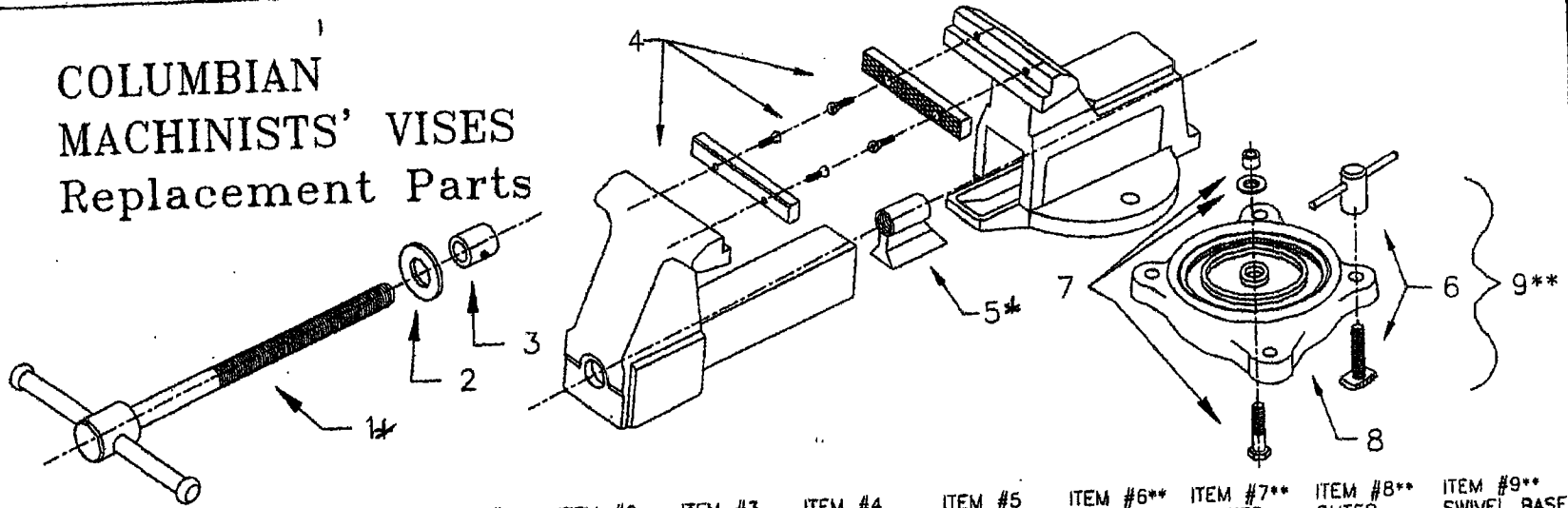


COLUMBIAN MACHINISTS' VISES Replacement Parts



WILTON MODEL NUMBER	WILTON MODEL NUMBER	WIDTH OF JAWS (ITEM #4)	ITEM #1 SPINDLE & HANDLE ASSEMBLY	ITEM #2 SPINDLE HEAD WASHER	ITEM #3 COLLAR WITH SET SCREW	ITEM #4 SERRATED JAW INSERTS W/SCREWS	ITEM #5 SPINDLE NUT & PIN	ITEM #6** LOCK NUT AND BOLT ASSEMBLY	ITEM #7** CENTER SWIVEL BOLT	ITEM #8** OUTER RING ONLY	ITEM #9** SWIVEL BASE ASSEMBLY (#6, #7, & #8)
503	603	3"	10101S23	10101S24	10101S25	10101S41*	10101S44	10203S51	10203S50	10201S03	10601
503M2	603M2	3"	10101S23	10101S24	10101S25	10101S41*	10101S04	10203S51	10203S50	10201S03	10601
503M3	603M3	3"	10101S23	10101S24	10101S25	10101S41*	10101S04	10203S51	10203S50	10201S03	10601
503-1/2	603-1/2	3 1/2"	10102S23	10102S24	10102S25	10102S41*	10102S44	10203S51	10203S50	10201S03	10602
503-1/2M2	603-1/2M2	3 1/2"	10102S23	10102S24	10102S25	10102S41*	10102S04	10203S51	10203S50	10202S03	10602
503-1/2M3	603-1/2M3	3 1/2"	10102S23	10102S24	10102S25	10102S40	10102S04	10203S51	10203S50	10202S03	10602
504	604	4"	10103S23	10103S24	10103S25	10103S41*	10103S44	10203S51	10203S50	10202S03	10503
504M2	604M2	4"	10103S23	10103S24	10103S25	10103S41*	10103S04	10203S51	10203S50	10202S03	10503
504M3	604M3	4"	10103S23	10103S24	10103S25	10103S40	10103S04	10203S51	10203S50	10202S03	10503
504-1/2M2	604-1/2M2	4 1/2"	10104S23	10103S24	10103S25	10104S41*	10103S04	10203S51	10203S50	10204S03	10503
504-1/2M3	604-1/2M3	4 1/2"	10104S23	10103S24	10103S25	10104S40	10103S04	10203S51	10203S50	10204S03	10503
505	605	5"	10105S23	10105S24	10105S25	10105S41*	10105S44	10205S51	10205S50	10205S03	10505
505M2	605M2	5"	10105S23	10105S24	10105S25	10105S41*	10105S04	10205S51	10205S50	10205S03	10505
505M3	605M3	5"	10105S23	10105S24	10105S25	10105S40	10105S04	10205S51	10205S50	10205S03	10505
506	606	6"	10106S23	10106S24	10106S25	10106S41*	10106S44	10205S51	10206S50	10206S03	10506
506M2	606M2	6"	10106S23	10106S24	10106S25	10106S41*	10106S04	10205S51	10206S50	10206S03	10506
506M3	606M3	6"	10106S23	10106S24	10106S25	10106S40	10106S04	10205S51	10206S50	10206S03	10506
508M2	608M2	8"	10108S23	10406S24	10108S25	10108S41*	10108S44	10205S51	10208S50	10208S03	10608
508M3	608M3	8"	10108S23	10406S24	10108S25	10108S40	10108S44	10205S51	10208S50	10208S03	10608

* JAW FACES HAVE T-SLOTS, AND ARE FURNISHED WITH (6) PINS. * PURCHASE FROM BEEJAX 330-373-0500
 ** ITEMS 6 THRU 9 FOR SWIVEL BASE MODEL ONLY