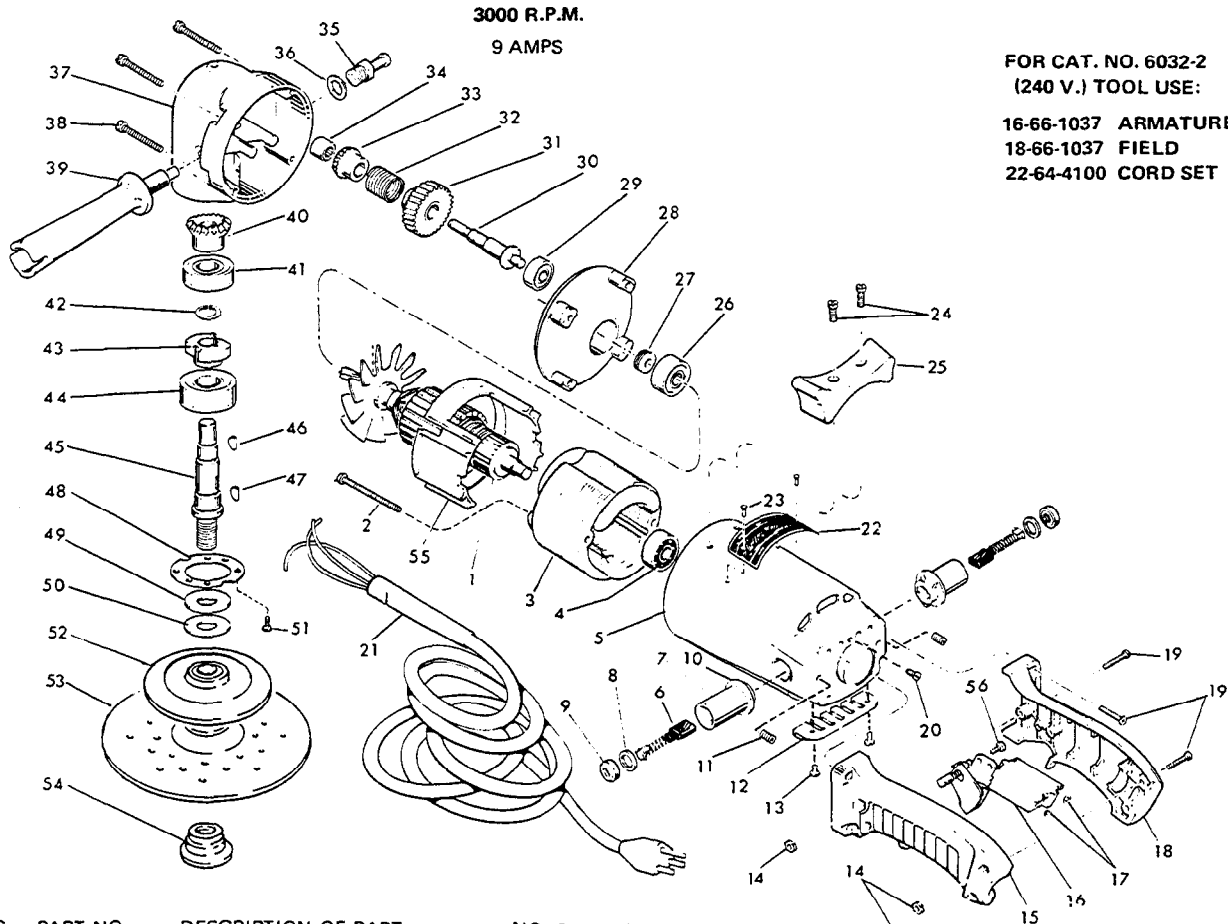




# SERVICE PARTS LIST

**BULLETIN NO.**  
54-38-2502

SPECIFY CATALOG NO. AND SERIAL NO. WHEN ORDERING PARTS		REVISED BULLETIN 54-38-2501	DATE Jan. '81
7" DISC SANDER		WIRING INSTRUCTION 58-01-0506	
CATALOG NO. 6032	STARTING SERIAL NO. 531-7000		



FOR CAT. NO. 6032-2  
(240 V.) TOOL USE:  
16-66-1037 ARMATURE  
18-66-1037 FIELD  
22-64-4100 CORD SET

FIG.	PART NO.	DESCRIPTION OF PART	NO. REQ.	FIG.	PART NO.	DESCRIPTION OF PART	NO. REQ.
	1	120 Volt Armature	(1)		30	Intermediate Shaft	(1)
★	2	10-24x2-1/4 Rd. Hd. Sem	(2)		31	Intermediate Gear	(1)
	3	120 Volt Field	(1)		32	Drive Spring	(1)
	4	Ball Bearing	(1)		33	Bevel Gear	(1)
★	5	Motor Housing	(1)		34	Needle Bearing	(1)
	6	Carbon Brush Assembly	(1)		35	Spindle Lock Assembly	(1)
	7	Brush Holder	(2)		36	Flat Washer	(1)
	8	Brush Cap Gasket	(2)		37	Gear Case	(1)
	9	Brush Retaining Screw	(2)		38	10-24x1-3/4 Fil. Hd. Sem	(4)
	10	Insulating Washer	(2)		39	Side Handle	(1)
	11	10-24x1/4 Set Screw	(2)		40	Bevel Gear	(1)
	12	Commutator Cover Plate	(1)		41	Ball Bearing	(1)
	13	6-32x1/4 Rd. Hd. Sem	(2)		42	Retaining Ring	(1)
	14	10-24 Hex Nut	(3)		43	Spindle Lock Cog	(1)
	15	Handle Half Left	(1)		44	Ball Bearing	(1)
	16	Switch (20 Amp)	(1)		45	Spindle	(1)
	17	Lockwasher	(4)		46	Woodruff Key	(1)
	18	Handle Half Right	(1)		47	Woodruff Key	(1)
	19	10-24x7/8 Phillips Pan Hd. Screw	(7)		48	Spindle Retaining Washer	(1)
	20	8-32x1/4" Rd. Hd. Sem	(1)		49	Hub Thrust Washer	(1)
	21	Cord Set	(1)		50	Spindle Rubber Washer	(1)
	22	Nameplate Blank	(1)		51	8-32x5/16 Fil. Hd. Sem	(6)
	23	Nameplate Screw	(2)		52	Rubber Pad	(1)
	24	10-24x1/2 Fil. Hd. Sem	(2)		53	7" Phenolic Disc	(1)
	25	Tool Rest	(1)		54	Disc Nut	(1)
	26	Ball Bearing	(1)		55	Baffle	(1)
	27	Grease Slinger	(1)		56	8-18x1/2 Pan Hd. Thread Form Screw	(1)
	28	Diaphragm	(1)		57	Caution Plate (Not Shown)	(1)
	29	Ball Bearing	(1)				

**MILWAUKEE ELECTRIC TOOL CORPORATION**  
13135 W. LISBON RD., BROOKFIELD, WIS. 53005