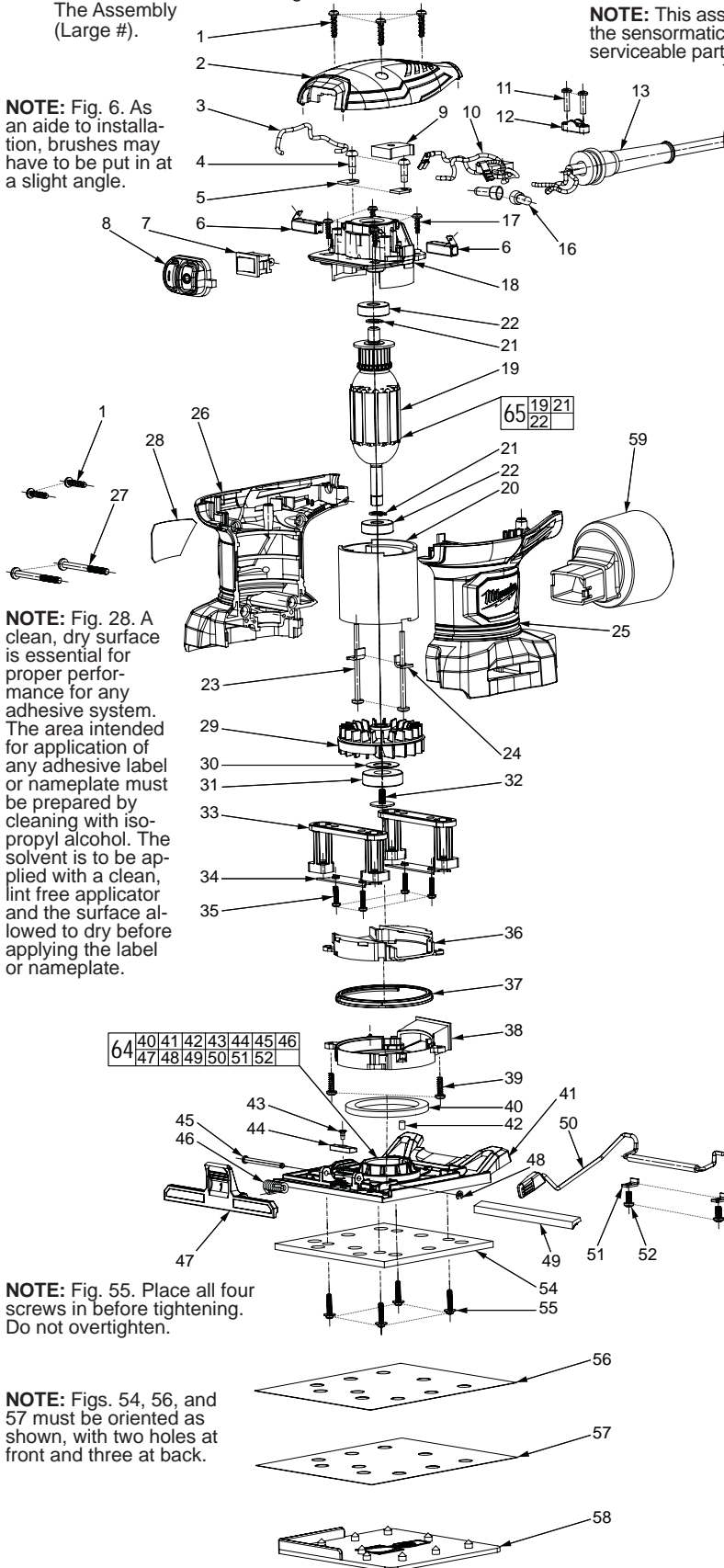


SPECIFY CATALOG NO. AND SERIAL NO. WHEN ORDERING PARTS		REVISED BULLETIN	DATE
1/4 SHEET PALM SANDER			Aug. 2015
CATALOG NO. 6033-21	STARTING SERIAL NO. G65A	WIRING INSTRUCTION See Reverse Side	

EXAMPLE:
Component Parts (Small #)
Are Included When Ordering
The Assembly
(Large #).

NOTE: Fig. 6. As an aide to installation, brushes may have to be put in at a slight angle.

NOTE: This assembly contains the sensormatic label. It is not a serviceable part.



NOTE: Fig. 28. A clean, dry surface is essential for proper performance for any adhesive system. The area intended for application of any adhesive label or nameplate must be prepared by cleaning with isopropyl alcohol. The solvent is to be applied with a clean, lint free applicator and the surface allowed to dry before applying the label or nameplate.

NOTE: Fig. 55. Place all four screws in before tightening. Do not overtighten.

NOTE: Figs. 54, 56, and 57 must be oriented as shown, with two holes at front and three at back.

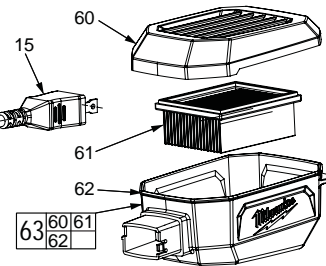


FIG.	PART NO.	DESCRIPTION OF PART	NO. REQ.
1	06-81-0145	8-18 x 5/8" Pan Hd. T-15 Screw	5
2	31-12-0025	Top Cap	1
3	23-94-2661	Black Wire	1
4	05-74-0995	8-16 x 1/2" Pan Hd. T-20 Screw	2
5	22-38-0180	Brush Clamp	2
6	22-18-1170	Carbon Brush Assembly w/Shunt Wire	2
7	23-66-0245	Switch	1
8	42-38-0165	Rubber Cap	1
9	23-38-2855	Rectifier	1
10	22-80-0106	Electronics Assembly	1
11	06-81-0150	6-19 x 5/8" Pan Hd. T-15 Screw	2
12	31-17-0530	Cord Clamp	1
13	44-76-0315	Strain Relief	1
15	22-64-1210	Cord	1
16	22-56-5317	Wire Connector (see wiring)	2
17	06-81-0135	6-19 x 7/16" Pan Hd. T-15 Screw	4
18	31-12-0390	Bearing Housing	1
19	-----	Armature	1
20	18-10-0142	Field	1
21	-----	Retaining Ring	2
22	-----	Bearing	2
23	06-81-0130	8-10 x 2-1/8" Pan Hd. T-20 Screw	2
24	42-70-1005	Field Retaining Clip	2
25	31-50-0595	Housing Support	1
26	31-50-0605	Housing Cover	1
27	06-82-0170	M4 x 43mm Pan Hd. T-20 ST Screw	2
28	12-20-6033	Service Nameplate	1
29	22-84-0045	Fan	1
30	45-88-1970	Washer	1
31	02-04-5155	Bearing	1
32	06-81-0165	8-32 x 3/8" Pan Washer Hd. T-20 Screw	1
33	45-60-0035	Cushion Post	2
34	44-52-0960	Retaining Clip	2
35	05-81-0195	M3 x 12mm Pan Hd. Screw	4
36	31-05-0125	Fan Cap	1
37	31-05-0135	Fan Ring	1
38	31-05-0145	Fan Guide	1
39	06-81-0115	6-19 x 1/2" Pan Hd. T-15 Screw	2
40	31-76-0155	Dust Shield	1
41	-----	Base Plate	1
42	-----	Plug	1
43	-----	M2.6 x 6mm Flat Hd. Philips Screw	1
44	-----	Counterweight	1
45	-----	Pin	1
46	-----	Torsion Spring	1
47	-----	Front Clamp Bar	1
48	-----	E-Ring	1
49	-----	Cushion	1
50	-----	Rear Spring Clamp Assembly	1
51	-----	Retaining Plate	2
52	-----	6-19 x 5/16" Torx T-15 Screw	2
54	44-66-0475	Aluminum Plate w/ Cushion Pad	1
55	05-74-0305	M3 x 15mm Pan Hd. T-20 Screw	4
56	-----	100 Grit Sand Paper	1
57	-----	150 Grit Sand Paper	1
58	44-66-0465	Paper Punch	1
59	31-03-0075	VAC Adapter	1
60	-----	Dust Box Cover w/ Rubber Gasket	1
61	-----	Dust Box Filter	1
62	-----	Dust Box Body	1
63	31-15-0640	Dust Box Assembly	1
64	31-06-0135	Base Plate Assembly	1
65	16-07-0160	Armature Assembly	1