



SERVICE PARTS LIST

**BULLETIN NO.
54-38-0100**

SPECIFY CATALOG NO AND SERIAL NO WHEN ORDERING PARTS		REVISED BULLETIN	DATE
9" SANDER/GRINDER			NOV. '80
CATALOG NO. 6052	STARTING SERIAL NO. 649-1001	WIRING INSTRUCTION 58-01-0307	

5000 R.P.M.
13 AMPS

FOR CAT. NO. 6052-2 (240V) TOOL USE:
16-76-0025 ARMATURE
18-76-0025 FIELD
22-64-4000 CORD SET

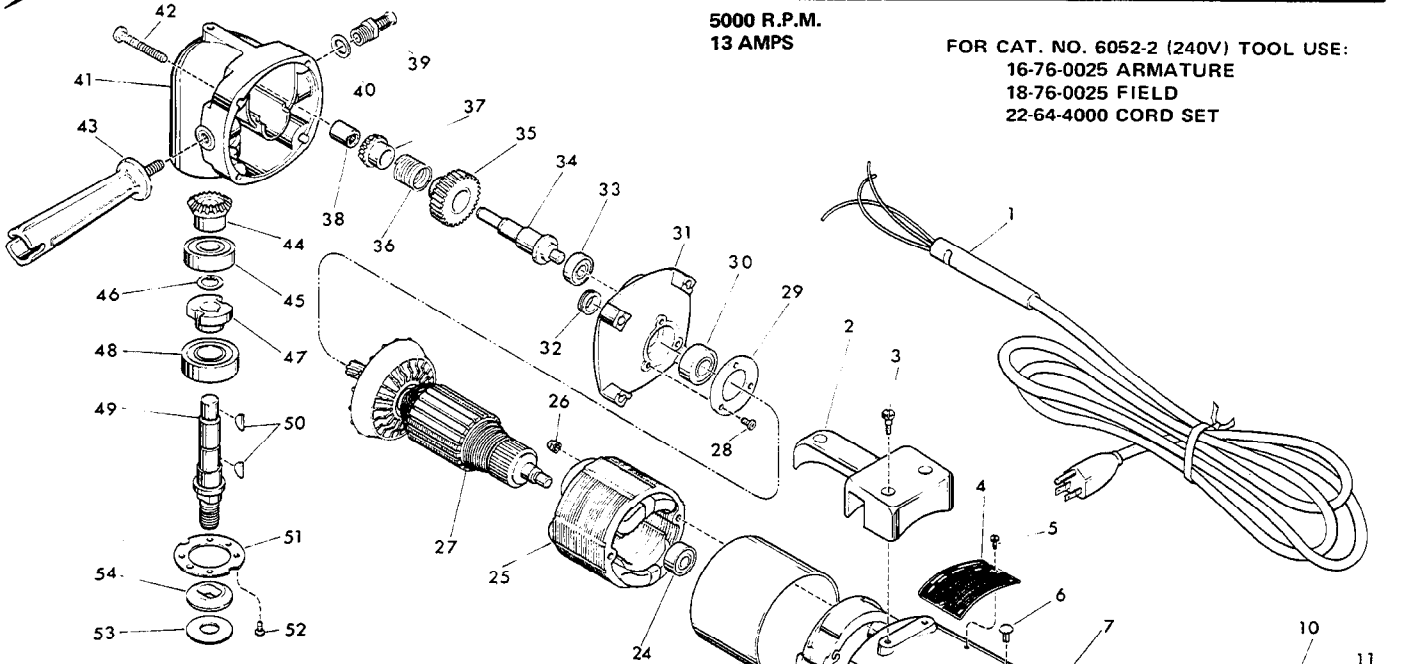


FIG. PART NO.	DESCRIPTION OF PART	NO. REQ.
1	22-64-0080 Cord Set	(1)
2	31-70-0105 Tool Rest	(1)
3	45-04-0530 Shoulder Screw	(3)
4	12-99-0130 Nameplate Blank	(1)
5	06-85-0200 Nameplate Screw	(2)
6	06-77-1350 14-9x1/4 Drive Screw	(1)
7	28-50-5175 Motor Housing Assy. (Includes 45-30-0070 B.B. Rtnng. Slug)	(1)
8	06-81-8800 8-32x1/4 Rd. Hd. Sem	(1)
9	06-95-0207 8-32x5/16 Pan Hd. Taptite Screw	(2)
10	31-86-0160 Insulating Bushing	(2)
11	06-81-1190 Field Screw	(2)
12	06-95-0345 10-24x7/8 Pan Hd. Taptite Screw	(4)
13	06-81-4207 10-24x7/8 Phil. Pan. Hd. Screw	(3)
14	31-44-0580 Right Handle Half	(1)
15	06-95-0215 8-18x1/2 Pan Hd. Thread Form Screw	(1)
16	23-66-0255 Switch (Use (4) 06-97-1800 Lockwashers)	(1)
17	31-44-0590 Left Handle Half	(1)
18	06-55-1000 10-24 Hex Nut	(3)
19	22-22-0385 Brush Holder Assy. (Includes 22-20-0360 Brush Tube)	(2)
20	22-18-0145 Carbn Brush Assembly	(2)
21	23-44-0140 Brush Retaining-Screw	(2)
22	31-55-0110 Coil Shield	(1)
23	23-16-0950 Insulating Sleeve	(1)
24	02-04-0911 Ball Bearing	(1)
25	18-70-0025 120 Volt Field	(1)
26	06-57-3005 10-32 Locking Hex Nut	(2)
27	16-70-0025 120 Volt Armature	(1)
28	06-95-0208 8-32x5/16 Taptite Screw	(3)
29	44-86-0320 Ball Bearing Retainer	(1)
30	02-04-1516 Ball Bearing	(1)
31	28-28-0391 Diaphragm Assy. (Includes 45-30-0070 B.B. Rtnng. Slug)	(1)
32	45-28-0150 Grease Slinger	(1)
33	02-04-0910 Ball Bearing	(1)

FIG. PART NO.	DESCRIPTION OF PART	NO. REQ.
34	36-66-3310 Intermediate Shaft	(1)
35	32-40-1770 Intermediate Gear	(1)
36	40-50-3200 Clutch Spring	(1)
37	32-05-1120 Bevel Gear	(1)
38	02-50-2441 Needle Bearing	(1)
39	44-20-0060 Spindle Lock Assembly	(1)
40	45-88-5320 Flat Washer	(1)
41	28-14-0615 Gear Case Assembly	(1)
42	06-95-0372 1/4-20x1-3/4 Taptite Screw	(4)
43	43-62-0760 Side Handle Assembly	(1)
44	32-05-1130 Bevel Gear	(1)
45	02-04-1746 Ball Bearing	(1)
46	34-60-1290 Retaining Ring	(1)
47	42-74-0065 Spindle Locking Cog	(1)
48	02-04-2031 Ball Bearing	(1)
49	38-50-5205 Spindle Shaft	(1)
50	06-42-1600 Woodruff Key	(2)
51	45-88-0220 Spindle Retaining Washer	(2)
52	06-95-3225 8-32x3/8 Fil. Hd. Taptite Screw	(3)
53	45-88-0160 Spindle Rubber Washer	(1)
54	49-05-0060 Rubber Washer Flange	(1)