



SERVICE PARTS LIST

BULLETIN NO.
55-38-0382

SPECIFY CATALOG NO. AND SERIAL NO. WHEN ORDERING PARTS		REVISED BULLETIN	DATE
9" SANDER - 6000 R.P.M.			May '91
CATALOG NO. 6066-2	STARTING SERIAL NO. 753-1001	WIRING INSTRUCTION	
		58-01-0307	

EXAMPLE:

00	0
----	---

 Component Parts (Small #) Are Included
 When Ordering The Assembly (Large #).

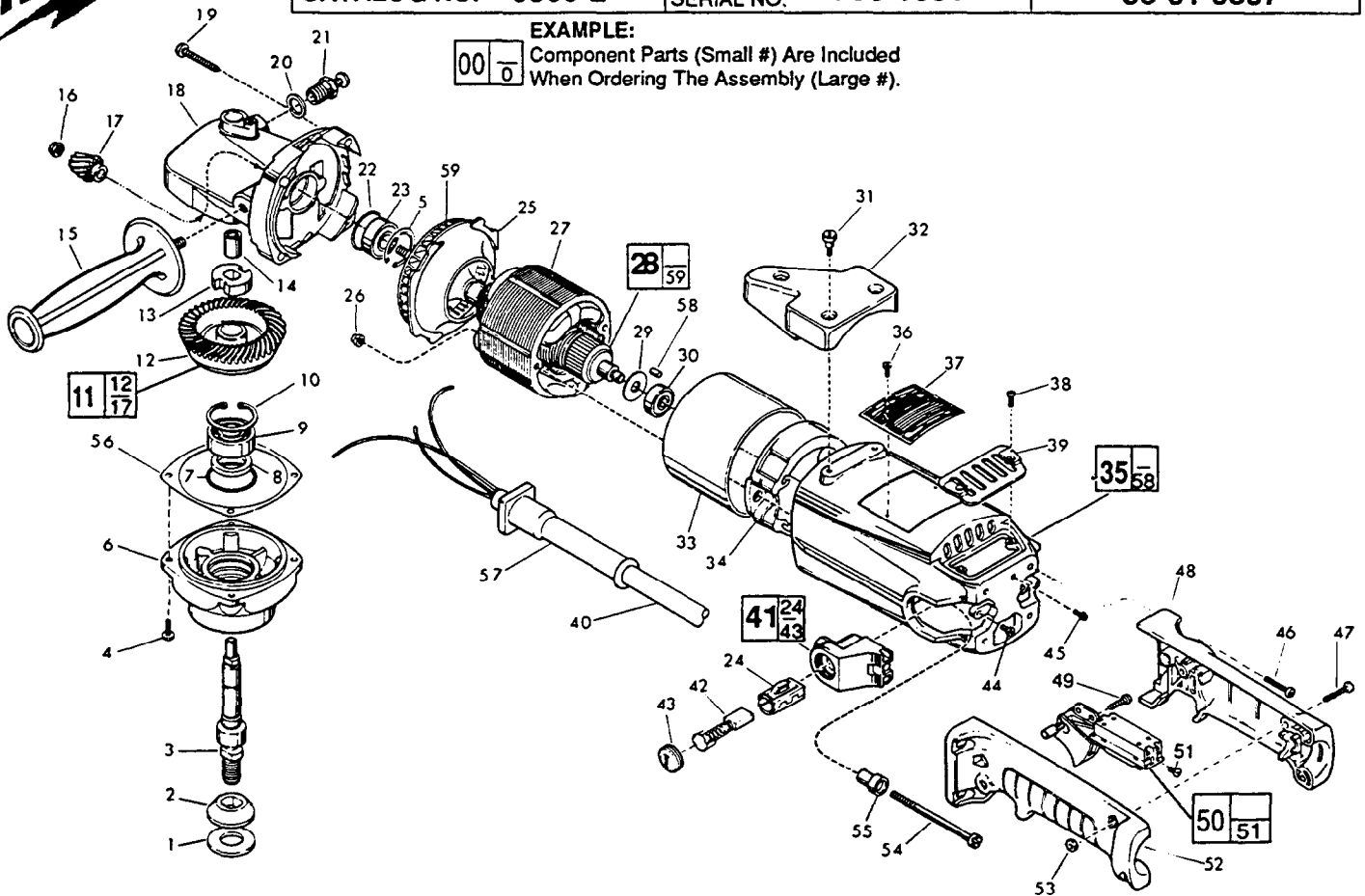


FIG. PART NO.	DESCRIPTION OF PART	NO. REQ.
1	45-88-0160 Spindle Washer - Rubber	(1)
2	49-05-0060 Washer Flange	(1)
3	38-50-5560 Spindle Shaft	(1)
4	06-82-8864 10-24 x 1/2" Pan Hd. T-25 Sems Screw	(4)
5	34-80-2600 Internal Retaining Ring	(1)
6	28-14-1735 Lower Gear Case	(1)
7	34-40-1610 O-Ring	(1)
8	45-06-0330 Felt Seal	(1)
9	02-04-1746 Ball Bearing	(1)
10	34-80-2960 Retaining Ring - Internal	(1)
11	14-46-4300 Bevel Gear Kit	(1)
12	32-05-2201 Spiral Bevel Gear	(1)
13	42-74-0080 Spindle Locking Cog	(1)
14	02-50-2428 Needle Bearing	(1)
15	43-62-0880 Side Handle	(1)
16	06-57-5006 1/4 - 28 Locking Hex Nut	(1)
17	32-60-1291 Spiral Bevel Pinion	(1)
18	28-14-2035 Upper Gear Case	(1)
19	06-82-5716 1/4-20 x 1-1/4" Pan Hd. T-30 Taptite Scr.	(4)
20	45-88-5320 Flat Washer	(1)
21	44-20-0235 Spindle Lock Assembly	(1)
22	34-40-1375 O-Ring	(1)
23	02-04-1229 Ball Bearing	(1)
24	22-20-0360 Brush Tube	(2)
25	42-14-0300 Baffle	(1)
26	06-57-3005 10-32 Locking Hex Nut	(2)
27	18-76-0260 240 Volt Field	(1)
28	16-76-0300 240 Volt Armature	(1)
29	45-06-0390 Dust Seal	(1)
30	02-04-0911 Ball Bearing	(1)
31	45-04-0720 Shoulder Screw	(3)
32	31-70-0150 Tool Rest	(1)
33	23-16-0950 Insulating Sleeve	(1)
34	31-55-0110 Coil Shield	(1)
35	28-50-6351 Motor Housing	(1)
36	06-85-0200 Nameplate Screw	(2)
37	12-99-0405 Nameplate Blank	(1)
38	06-95-3601 8-32 x 3/8" Oval Hd. Taptite Screw	(2)
39	31-15-0310 Cover Plate	(1)

FIG. PART NO.	DESCRIPTION OF PART	NO. REQ.
40	22-64-4510 Cord Set	(1)
41	22-22-0401 Brush Holder Assembly	(2)
42	22-18-0770 Carbon Brush Assembly	(2)
43	23-44-0170 Brush Retaining Cap	(2)
44	06-82-7252 8-32 x 3/8" Pan Hd. T-20 Screw	(2)
45	06-95-5200 8-32 x 5/16" Slot Hex Hd. Screw	(1)
46	06-82-5574 10-24 x 7/8" Pan Hd. T-25 Taptite Screw	(4)
47	06-82-2378 10-24 x 1" Pan Hd. T-25 Screw	(3)
48	31-44-0606 Right Handle Half	(1)
49	06-82-7409 8-16 x 1/2" Pan Hd. T-20 Plastite Screw	(1)
50	23-66-1800 Switch	(1)
51	05-78-0305 Switch Screw T-15	(4)
52	31-44-0607 Left Handle Half	(1)
53	06-55-1050 10-24 Hex Nut	(3)
54	06-82-9600 10-32 x 3" Torx Hd. Screw	(2)
55	31-86-0160 Insulating Bushing	(2)
56	45-14-0225 Shim - Blue .005 Thick	(1)
	45-14-0210 Shim - Red .010 Thick	(1)
57	44-76-0170 Cord Protector	(1)
58	45-30-0070 Ball Bearing Retaining Slug	(1)
59	22-84-0800 Fan	(1)

FIG. NOTES
 13 Dimple Side To Fig. 12.
 56 As Required (Max. .015").

FIG. LUBRICATION
 18 2 Oz. Type "G" Grease, No. 49-08-4140.

MILWAUKEE ELECTRIC TOOL CORPORATION
 13135 W. LISBON RD., BROOKFIELD, WI 53005