



SERVICE PARTS LIST

BULLETIN NO.
54-38-0360

SPECIFY CATALOG NO. AND SERIAL NO. WHEN ORDERING PARTS		REVISED BULLETIN	DATE
D.I. 6000 R.P.M. LIGHTWEIGHT SANDER			Sept.'87
CATALOG NO. 6075	STARTING SERIAL NO. 733-1001	WIRING INSTRUCTION 58-01-0301	

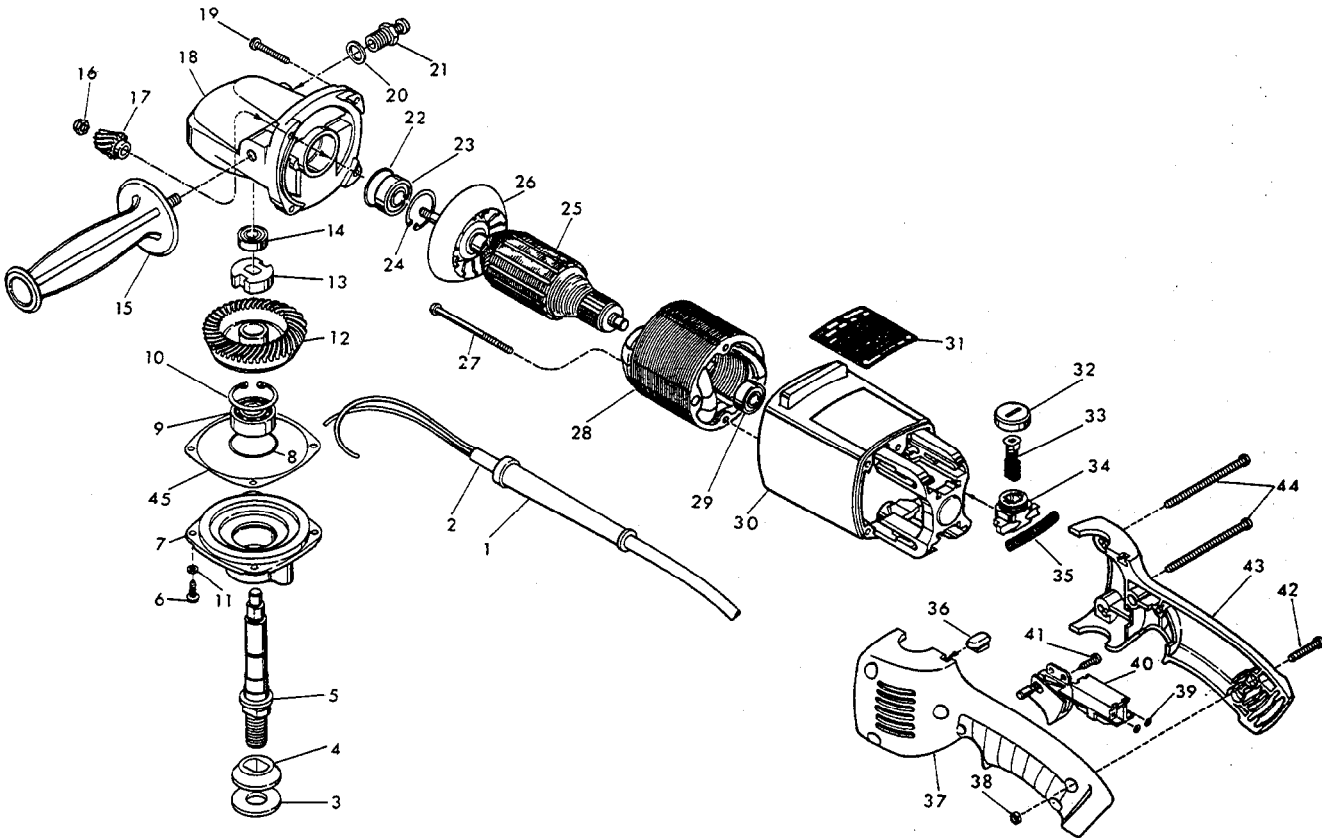


FIG.	PART NO.	DESCRIPTION OF PART	NO. REQ.
1	44-76-0050	Cord Protector	(1)
2	22-64-0785	Cord Set	(1)
3	45-88-0160	Spindle Washer - Rubber	(1)
4	49-05-0060	Rubber Washer Flange	(1)
5	38-50-5640	Spindle Shaft	(1)
6	06-82-5566	10-24 x 1/2" Pan Hd. Taptite Torx Screw	(4)
7	28-14-1900	Lower Gear Case	(1)
8	34-40-1610	1-9/16" O-Ring	(1)
9	02-04-1746	Ball Bearing	(1)
10	34-80-2960	Retaining Ring - Internal	(1)
11	06-97-3500	#10 Split Ring Lockwasher	(4)
12	32-05-2191	Spiral Bevel Gear	(1)
13	42-74-0080	Spindle Locking Cog	(1)
14	02-04-0820	Ball Bearing	(1)
15	43-62-0880	Side Handle	(1)
16	06-57-5006	1/4 - 28 Hex Lock Nut	(1)
17	32-60-1286	Spiral Bevel Pinion	(1)
18	28-14-1980	Upper Gear Case	(1)
19	06-82-7224	10-14 x 1" Pan Hd. Plastite Torx Screw	(4)
20	45-88-5320	Flat Washer	(1)
21	44-20-0235	Spindle Lock Assembly	(1)
22	34-40-1375	1-1/4" O-Ring	(1)
23	02-04-1230	Ball Bearing	(1)
24	34-80-2600	Retaining Ring - Internal	(1)
25	16-50-0180	120V. Armature (Includes Fig. No. 26)	(1)
26	22-84-0710	Fan	(1)
27	06-82-7375	8-16 x 2-1/2" Pan Hd. Plastite Torx Screw	(2)
28	18-50-0170	120V. Field	(1)
29	02-04-0845	Ball Bearing	(1)
30	31-50-0580	Motor Housing	(1)

FIG.	PART NO.	DESCRIPTION OF PART	NO. REQ.
31	12-99-0127	Nameplate - Service	(1)
32	23-44-0210	Brush Retaining Screw	(2)
33	22-18-0680	Brush Assembly	(2)
34	22-22-1325	Brush Holder Assy. (Incl. 22-20-0660 Tube)	(2)
35	40-50-7770	Brush Holder Spring	(2)
36	42-38-0190	Bumper	(1)
37	31-44-1115	Left Handle Half	(1)
38	06-55-1050	10-24 Hex Nut	(5)
39	06-97-1700	No. 5 Int. Tooth Lockwasher	(4)
40	23-66-0255	Switch	(1)
41	06-82-7409	8-16 x 1/2" Slot Pan Hd. Torx Screw	(1)
42	06-82-2568	10-24 x 7/8" Slot Pan Hd. Torx Screw	(3)
43	31-44-1110	Right Handle Half	(1)
44	06-82-2598	10-24 x 2-3/4" Slot Pan Hd. Torx Screw	(2)
45	45-14-0185	Shim .005 Thick (If Required)	(1)

LUBRICATION:
Use 1-1/2 Oz. Type "G" Grease