



SERVICE PARTS LIST

9" SANDER-GRINDER

Catalog No. **6086**

Starting Serial No. **537-1001**

Specify Catalog and Serial No. when ordering parts

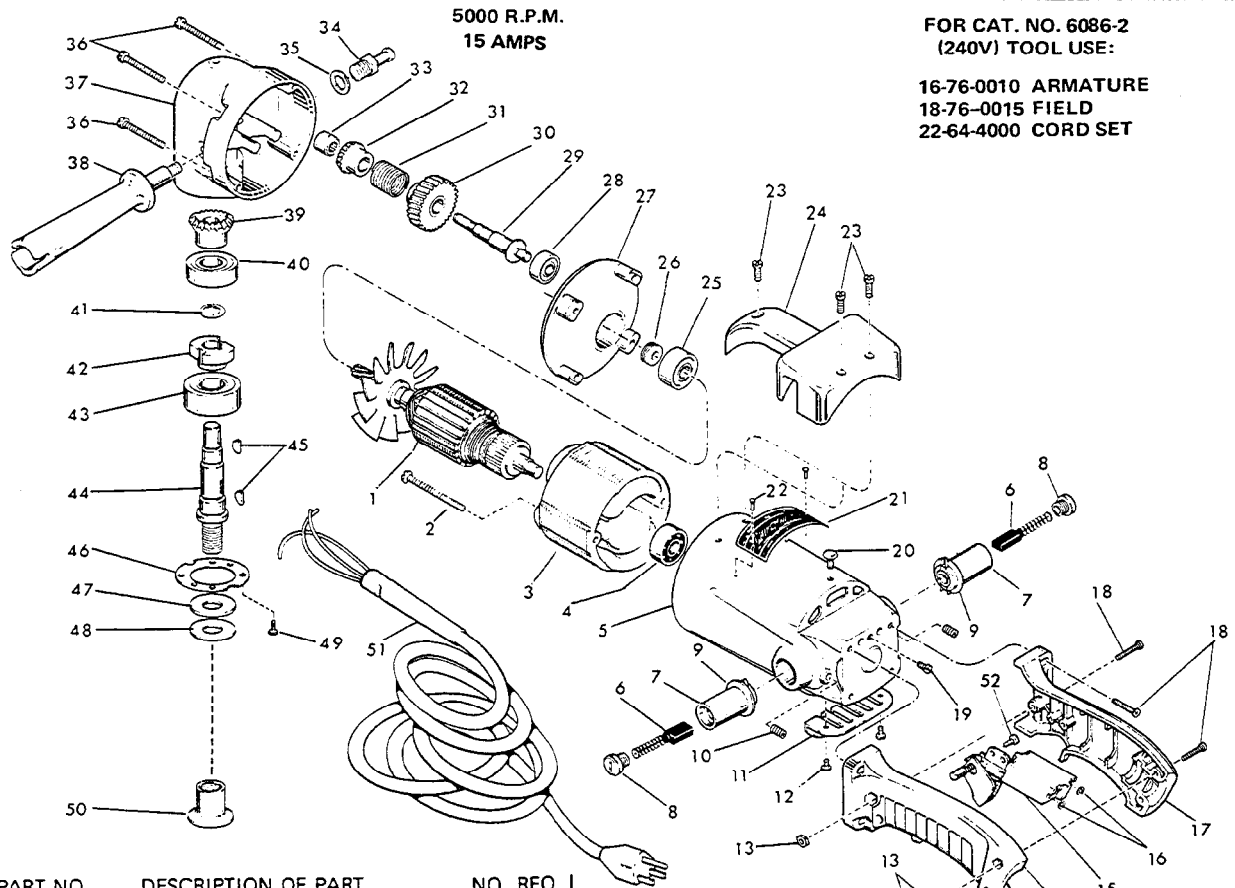
BUL. 54-38-3325

REVISED BUL.

DATE

Sept. '78

WIRING INSTRUCTIONS
58-01-0305



5000 R.P.M.
15 AMPS

FOR CAT. NO. 6086-2
(240V) TOOL USE:

16-76-0010 ARMATURE
18-76-0015 FIELD
22-64-4000 CORD SET

| FIG. | PART NO. | DESCRIPTION OF PART | NO. REQ. |
|------|------------|--|----------|
| 1 | 16-70-0010 | 120 Volt Armature | (1) |
| 2 | 06-81-9201 | 10-24x2-1/2 Rd. Hd. Sem | (2) |
| 3 | 18-70-0015 | 120 Volt Field | (1) |
| 4 | 02-04-1070 | Ball Bearing | (1) |
| 5 | 28-50-5200 | Motor Housing (Includes 45-30-0110 Bearing Retaining Slug) | (1) |
| 6 | 22-18-0055 | Carbon Brush | (2) |
| 7 | 22-22-1015 | Brush Holder | (2) |
| 8 | 23-44-0030 | Brush Retaining Screw | (2) |
| 9 | 23-86-0060 | Insulating Washer | (2) |
| 10 | 06-83-2000 | 10-24x1/4 Set Screw | (2) |
| 11 | 44-66-0105 | Vent Cover Plate | (1) |
| 12 | 06-81-8650 | 6-32x1/4 Rd. Hd. Sem | (2) |
| 13 | 06-55-1000 | 10-24 Hex Nut | (3) |
| 14 | 31-44-0590 | Left Handle Half | (1) |
| 15 | 23-66-0255 | Switch (20 Amp) | (1) |
| 16 | 06-97-1800 | Lockwasher | (4) |
| 17 | 31-44-0580 | Right Handle Half | (1) |
| 18 | 06-81-4207 | 10-24x7/8 Phillips Pan Hd. Screw | (7) |
| 19 | 06-81-9125 | 10-24x1/4 Ground Screw | (1) |
| 20 | 06-77-1350 | 14x1/4 Driv-In Screw | (1) |
| 21 | 12-99-0034 | Nameplate Blank | (1) |
| 22 | 06-85-0200 | Nameplate Screw | (2) |
| 23 | 06-81-6950 | 10-24x1/2 Fil. Hd. Sem | (3) |
| 24 | 31-70-0100 | Tool Rest | (1) |
| 25 | 02-04-1340 | Ball Bearing | (1) |
| 26 | 45-28-0080 | Grease Slinger | (1) |
| 27 | 28-28-0381 | Diaphragm | (1) |
| 28 | 02-04-0910 | Ball Bearing | (1) |

| FIG. | PART NO. | DESCRIPTION OF PART | NO. REQ. |
|------|------------|------------------------------------|----------|
| 29 | 36-66-3301 | Intermediate Shaft | (1) |
| 30 | 32-40-1481 | Intermediate Gear | (1) |
| 31 | 40-50-3200 | Clutch Spring | (1) |
| 32 | 32-05-1120 | Bevel Gear | (1) |
| 33 | 02-50-2130 | Needle Bearing | (1) |
| 34 | 44-20-0060 | Spindle Lock Assembly | (1) |
| 35 | 45-88-5320 | Flat Washer | (1) |
| 36 | 06-81-7300 | 10-24x1-3/4 Fil. Hd. Sem | (4) |
| 37 | 28-14-0610 | Gear Case | (1) |
| 38 | 43-62-0570 | Side Handle | (1) |
| 39 | 32-05-1130 | Bevel Gear | (1) |
| 40 | 02-04-1710 | Ball Bearing | (1) |
| 41 | 34-60-1290 | Retaining Ring | (1) |
| 42 | 42-74-0065 | Spindle Locking Cog | (1) |
| 43 | 02-04-2065 | Ball Bearing | (1) |
| 44 | 38-50-1751 | Spindle | (1) |
| 45 | 06-42-1600 | Woodruff Key | (2) |
| 46 | 45-88-0220 | Spindle Retaining Washer | (1) |
| 47 | 45-88-0141 | Hub Thrust Washer | (1) |
| 48 | 45-88-0160 | Spindle Rubber Washer | (1) |
| 49 | 06-81-6050 | 8-32x5/16 Fil. Hd. Sem | (6) |
| 50 | 49-40-0350 | Disc Retaining Nut | (1) |
| 51 | 22-64-0075 | Cord Set | (1) |
| 52 | 06-95-0215 | 8-18x1/2 Pan Hd. Thread Form Screw | (1) |
| 53 | 10-98-5990 | Caution Plate (Not Shown) | (1) |