

IMPORTANT - To assure product **SAFETY** and **RELIABILITY**, repairs, maintenance or adjustments should be performed by **MAKITA** Service Centers or other qualified service organizations. Always use **MAKITA** replacement parts.

WIRING DIAGRAM

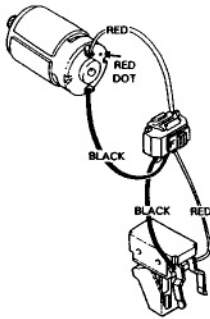


Fig.	Part No.	Qty. Used	Description	Fig.	Part No.	Qty. Used	Description
1	911143-2	6	P.H. SCREW M4X22	30	**	1	CLUTCH CAM
2	911163-6	2	P.H. SCREW M4X35	31	231927-5	1	SPRING 16-21
3	*	1	HOUSING SET (INCL. FIG. 44)	32	256101-4	1	PIN 3
4	343421-6	2	GUIDE PLATE	33	257141-5	1	RING 8
5	343410-1	1	CAM PLATE	34	341902-4	1	DISC
6	251322-3	2	P.H. SCREW M5X12	35	216401-4	1	THRUST NEEDLE GUAGE 1023
7	414239-3	1	CHANGE RING	36	267076-2	1	FLAT WASHER 8
9	265998-0	1	C.H.S.H. SCREW M5X21	37	164840-1	1	SLIDER
10	321995-7	1	SPINDLE	38	226062-2	1	GEAR COMPLETE 12-28
11	211061-7	1	BALL BEARING 6000LLB	39	214019-5	1	PLANE BEARING 4
12	961015-1	1	STOP RING E-9	40	256119-5	1	PIN 3
13	231250-8	1	COMPRESSION SPRING 10	41	168096-8	1	SHIFTER
14	253330-0	1	THIN WASHER 10	42	232053-3	1	LEAF SPRING
15	221862-5	1	SPUR GEAR 78	43	411640-3	1	HOLDER 6
16	257073-6	1	RING 16	44	*	1	HOUSING SET (INCL. FIG. 3)
17	221884-5	1	SPUR GEAR 93	45	651872-2	1	SWITCH ASS'Y
18	253330-0	1	THIN WASHER 10	47	163157-9	1	SET PLATE
19	231250-8	1	COMPRESSION SPRING 10				
20	253807-5	1	FLAT WASHER 5				
21	214017-9	1	PLANE BEARING 5				
22	*	1	DC MOTOR 9.6V				
23	651343-9	1	SWITCH ASS'Y				
24	961002-0	1	RETAINING RING S-6				
25	253842-3	1	FLAT WASHER 14				
26	211016-2	1	BALL BEARING 626LLB				
27	253804-1	1	FLAT WASHER 6				
28	**	1	SPUR GEAR 89				
29	**	4	STEEL BALL 4.8				
ACCESSORIES							
	400	784202-3	1	PHILLIPS BIT #2			
	401	763419-1	1	CHUCK KEY			
	402	824393-9	1	PLASTIC CASE			
	403	113103-2	1	CHARGER 9.6 VDC			
	404	632007-4	1	BATTERY 9.6 VDC			
	405	763054-5-A	1	DRILL CHUCK & CHUCK KEY SET (INCL. FIG. 401)			

SERVICE CHANGE

1) Change on Motor and Housing.

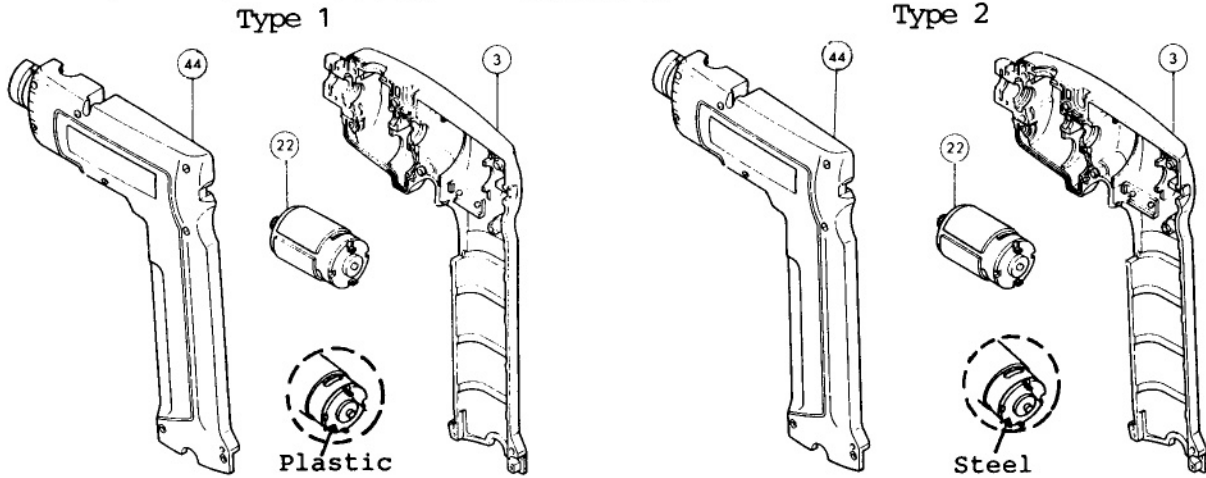
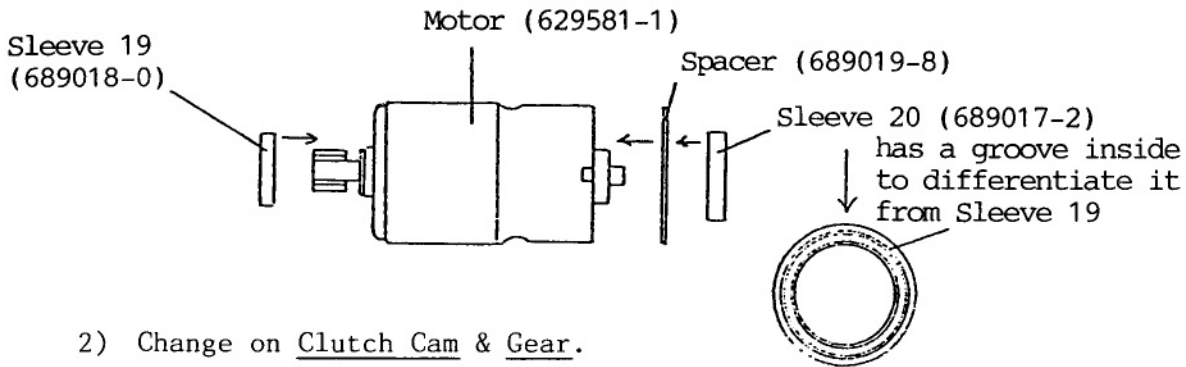


Fig.	Description	Type 1	Type 2
3	Housing Set	Part #181955-9 (Housing Set)	Part #182141-5 (Housing Set)
44			
22	Motor	Part #629522-7	Part #629581-1

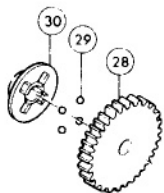
The above parts are completely interchangeable as a set.

REPAIR NOTE

Type 2 Motor will fit into the Type 1 Housing if the parts listed below are added.



2) Change on Clutch Cam & Gear.

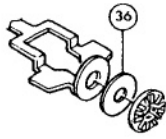


	Type 1	Type 2
30 Clutch Cam		
Depth measurement	0.06" (1.5mm)	0.08" (2.1mm)
29 Steel Ball		
Diameter measurement	3/16" (4.8mm)	7/32" (5.6mm)
*Width of the groove in the Gear has been changed in order to accomodate the larger Steel Ball.		

Fig.	Description	Type 1	Type 2
28	Spur Gear	Part #221883-7	Part #226233-1
29	Steel Ball	Part #216002-8	Part #216011-7
30	Clutch Cam	Part #223059-2	Part #223086-9

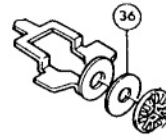
The above items are completely interchangeable as a set.

3) Change on Flat Washer 8 for Model 6093DW. (From Serial number 972441)



Current

Part #253851-2
Flat Washer
Uses 2 each



New Type

Part #267076-2
Flat Washer
Uses 1 each