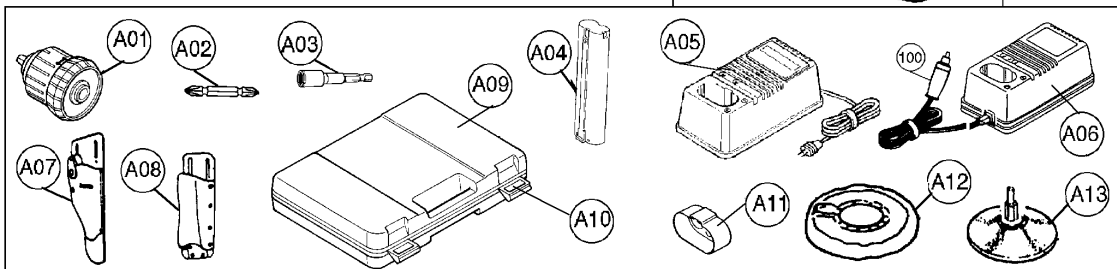
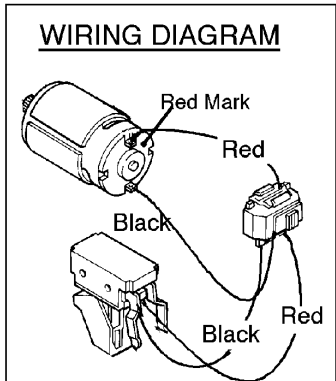
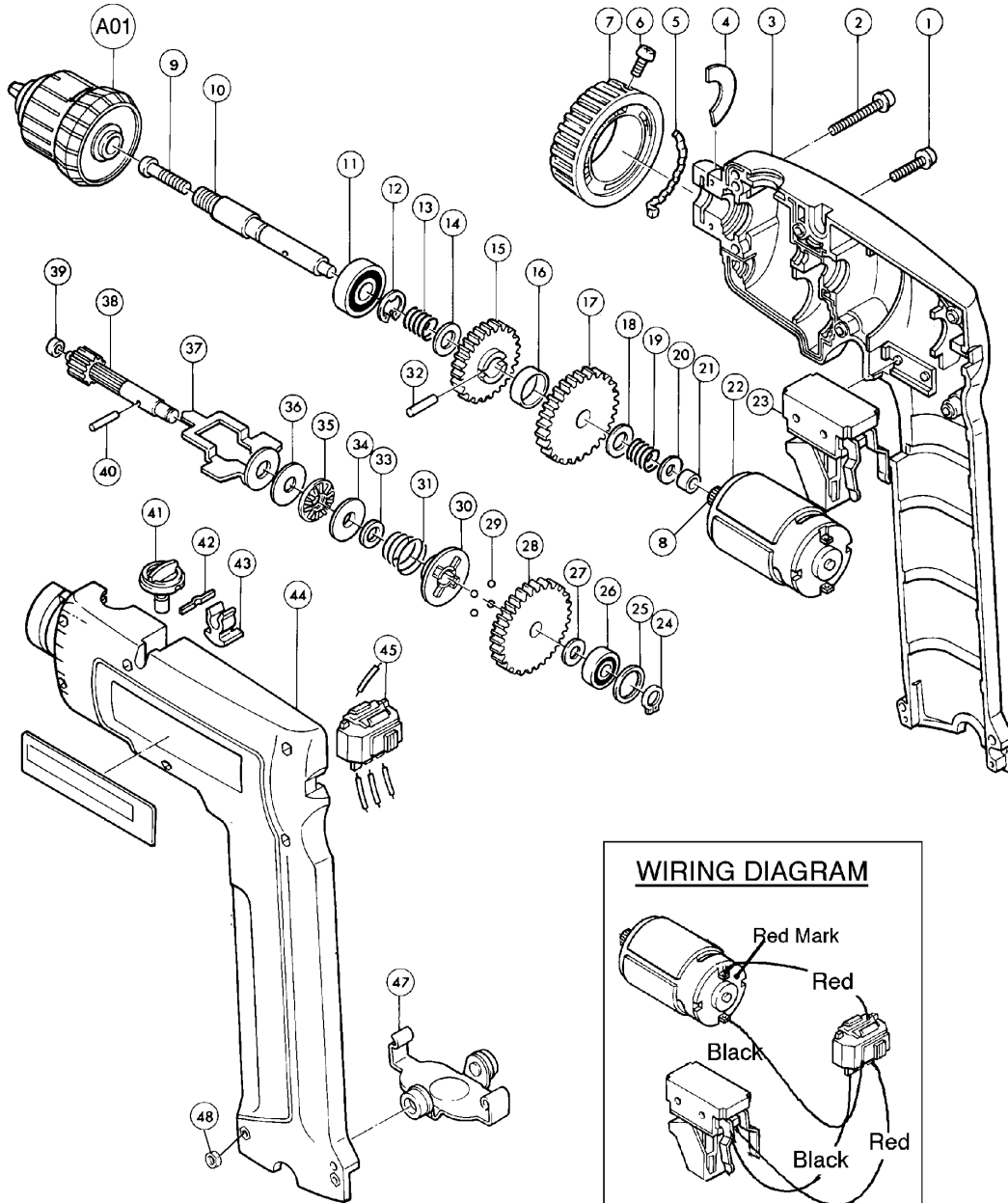




CORDLESS DRIVER DRILL

Model 6095D
Model 6095DQ*
Model 6095DW
Model 6095DWE
Model 6095DWBE
(MJ/MCA/MME/MCP)
Model 6095DWL-2



02-2001
6095DQ* Discontinued in 1992

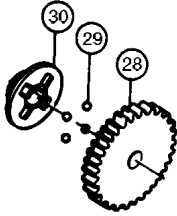
Item No.	Part No.	No. Used	Description	Item No.	Part No.	No. Used	Description
1	911143-2	6	P.H. Screw M4x22 (With Washer)	47	163157-9	1	Set Plate
2	911163-6	2	P.H. Screw M4x35 (With Washer)	48	931102-0	8	Hex Nut M4
3	*	1	Housing	100	655000-B	1	Plug (For Car Lighter)
4	343421-6	2	Guide Plate				
5	343410-1	1	Cam Plate				
6	251322-3	2	(+) P.H. Screw M5x12				
7	414239-3	1	Change Ring (Old 410936-9)				
8	221882-9	1	Spur Gear 15				
9	251451-2	1	(-) P.H. Screw M5x22 (Type 1)(MJ)				
	265998-0	1	C.S.H. Screw M5x21 (Type 2) (MCA)				
	251457-0	1	(-) P.H. Screw M5x20(Type 3) (MME)				
	265998-0	1	C.S.H Screw M5X21 (Type 4)(MCP)				
10	321995-7	1	Spindle	A01	192016-0	1	3/8" Keyless Drill Chuck
11	211061-7	1	Ball Bearing 6000LLB		763101-2	1	3/8" Keyless Drill Chuck (1/16" ~ 3/8")
12	961015-1	1	Stop Ring E-9	A02	-----	1	Bit (See Catalogue for Details)
13	231250-8	1	Compression Spring 10	A03	-----	1	Magnetic Socket (See Catalogue for Details)
14	253330-0	1	Thin Washer 10	A04	632007-4	1	9.6VNi-Cad 1.3Ah Battery 9000 (Old 632009-0)
15	221862-5	1	Spur Gear 78		192533-0	1	9.6V Ni-Cad 2.0Ah Battery 9002
16	257073-6	1	Ring 16		192696-2	1	9.6V Ni-MH 2.2Ah Battery 9033
17	221884-5	1	Spur Gear 93	A05	DC9710	1	Charger For 7.2V & 9.6V 1.3Ah Ni-Cad Batteries (Old 113087-4 & CACDC9700)
18	253330-0	1	Thin Washer 10		DC1411	1	Charger DC1411 for 7.2V ~ 14.4V Ni-Cad & Ni-MH 1.3Ah ~ 3.0Ah Batteries
19	231250-8	1	Compression Spring 10	A06	DC1422	1	Automotive Charger For 7.2V ~ 14.4V - 1.3Ah ~ 3.0Ah Ni-Cad & Ni-MH Batteries (With Item 100)(Old 113076-9 & CACDC9112)
20	253807-5	1	Flat Washer 5		113076-9	1	Charger For 9.6V Ni-Cad 1.3Ah Batteries (With Item 100)
21	214017-9	1	Plane Bearing 5		CAADC1412	1	Charger for 7.2V ~ 14.4V Ni-Cad 1.3Ah ~ 2.0Ah Batteries (With Item 100)
22	629581-1	1	Motor 9.6V D.C. (With Item 8)	A07	823033-3R	1	Leather Holster, Right Handed
23	651347-1	1	Variable Speed Switch		823033-3L	1	Leather Holster, Left Handed
24	961002-0	1	Retaining Ring S-6	A08	823033-3C	1	Battery Holster
25	253842-3	1	Flat Washer 14	A09	182338-6	1	Plastic Carrying Case (For 6095DQ) (Case molded Handle and Snap Locks)
26	211016-2	1	Ball Bearing 626LLB		824393-9	1	Plastic Carrying Case (With Items A10 & A15)(For 6095DW, 6095DWE) (Old 824145-8 - Metal Case for 6095DW - No Longer Available)
27	253804-1	1	Flat Washer 6		E00065-2	1	Plastic Carrying Case (With inside door) (With Items A14 & A16)
28	*	1	Spur Gear 89		824557-5	1	Plastic Carrying Case (6095DWBE) (Includes Items A14 & A16)
29	*	4	Steel Ball		A82446-0	1	Plastic Carrying Case (With A14 & A16) (6095DWL-2)
30	*	1	Clutch Cam	A10	A00182-5	2	Snap Lock (M)
31	231927-5	1	Conical Compression Spring 16-21	A11	414938-7	1	Battery Cap
32	256101-4	1	Pin 3	A12	794173-6	1	Wool Bonnet
33	257141-5	1	Ring 8	A13	123001-2	1	Rubber Pad Assy
34	341902-4	1	Disc	A14	A00181-7	1	Black Plastic Handle (L)
35	216401-4	1	Thrust Needle Gauge 1023 (MJ) (MCA)	A15	A00180-9	1	Black Plastic Handle (S)
	216401-4A	1	Thrust Needle Gauge 1024 (MME)	A16	A00188-3	2	Snap Lock (L)
	216413-7	1	Thrust Needle Gauge 1023 (MCP)				
36	253851-2	1~2	Flat Washer 8 (MJ) (MME) (Thickness: 0.5mm)				
	267076-2	1	Flat Washer 8 (MCA) (Thickness: 1.0mm)				
37	164840-1	1	Slider				
38	226062-2	1	Gear Com. 12-28				
39	214019-5	1	Plane Bearing 4				
40	256119-5	1	Pin 3				
41	168096-8	1	Shifter				
42	232053-3	1	Leaf Spring				
43	411640-3	1	Holder 6				
44	*	1	Housing (Includes Item 48)				
45	531057-5	1	Switch F/R				

* SEE SERVICE CHANGES

- 2 Model 6095D
- 2 Model 6095DQ*
- 2 Model 6095DW
- 2 Model 6095DWE
- 2 Model 6095DWBE
- 2 Model 6095DWL-2

SERVICE CHANGES

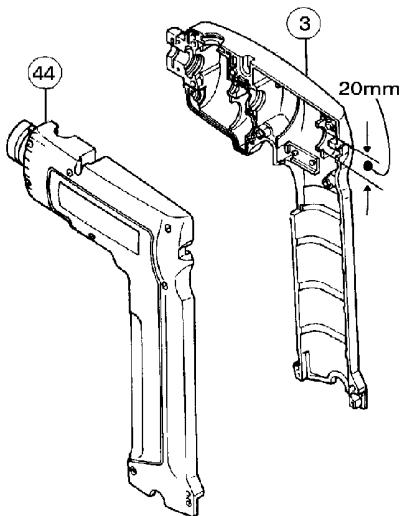
1. Change on Spur Gear, Steel Ball & Clutch Cam.



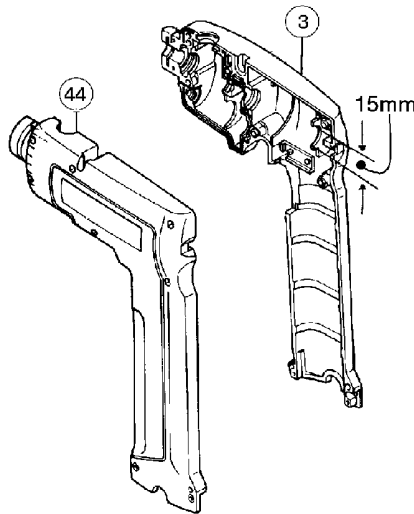
Item No.	Description	Type 1	Type 2
28	Spur Gear 89	221883-7	226233-1
29	Steel Ball	216002-8 (4.8)	216011-7 (5.6)
30	Clutch Cam	223059-2	223086-9
	Serial No. 6095D	~ 500353E	500354E ~
	Serial No. 6095DW	~ 34715E	34716E ~

2. Change on Housing.

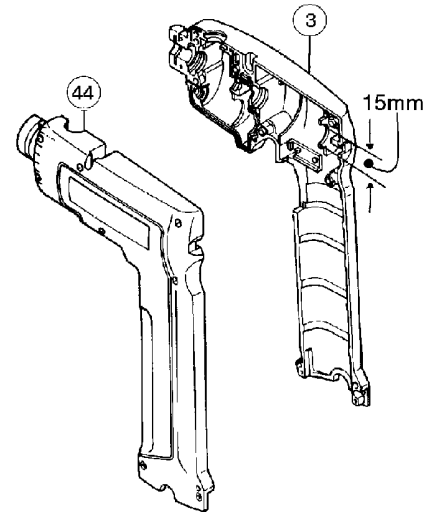
Type 1



Type 2



Type 3



Item No.	Description	Type 1 (MJ)	Type 2 (MME)	Type 3 (MCP)
3	Housing (R)	414391-7 (No Longer Available)	415007-7	183055-1 Set (415007-7A)
44	Housing (L)	414392-5 (No Longer Available)	415008-5	183055-1 Set (415008-5A)

3 Model 6095D
 3 Model 6095DQ*
 3 Model 6095DW
 3 Model 6095DWE
 3 Model 6095DWBE
 3 Model 6095DWL-2