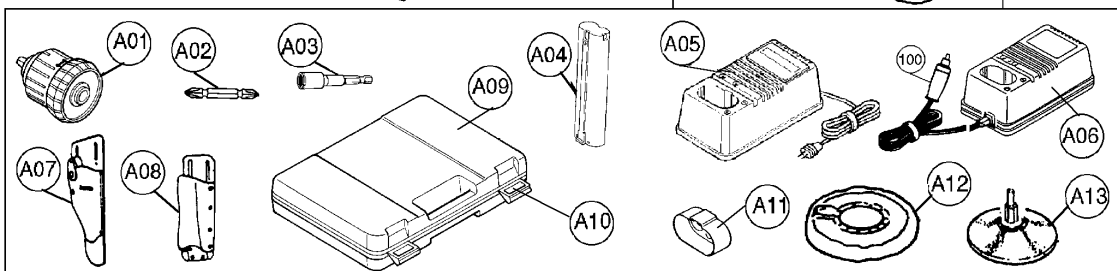
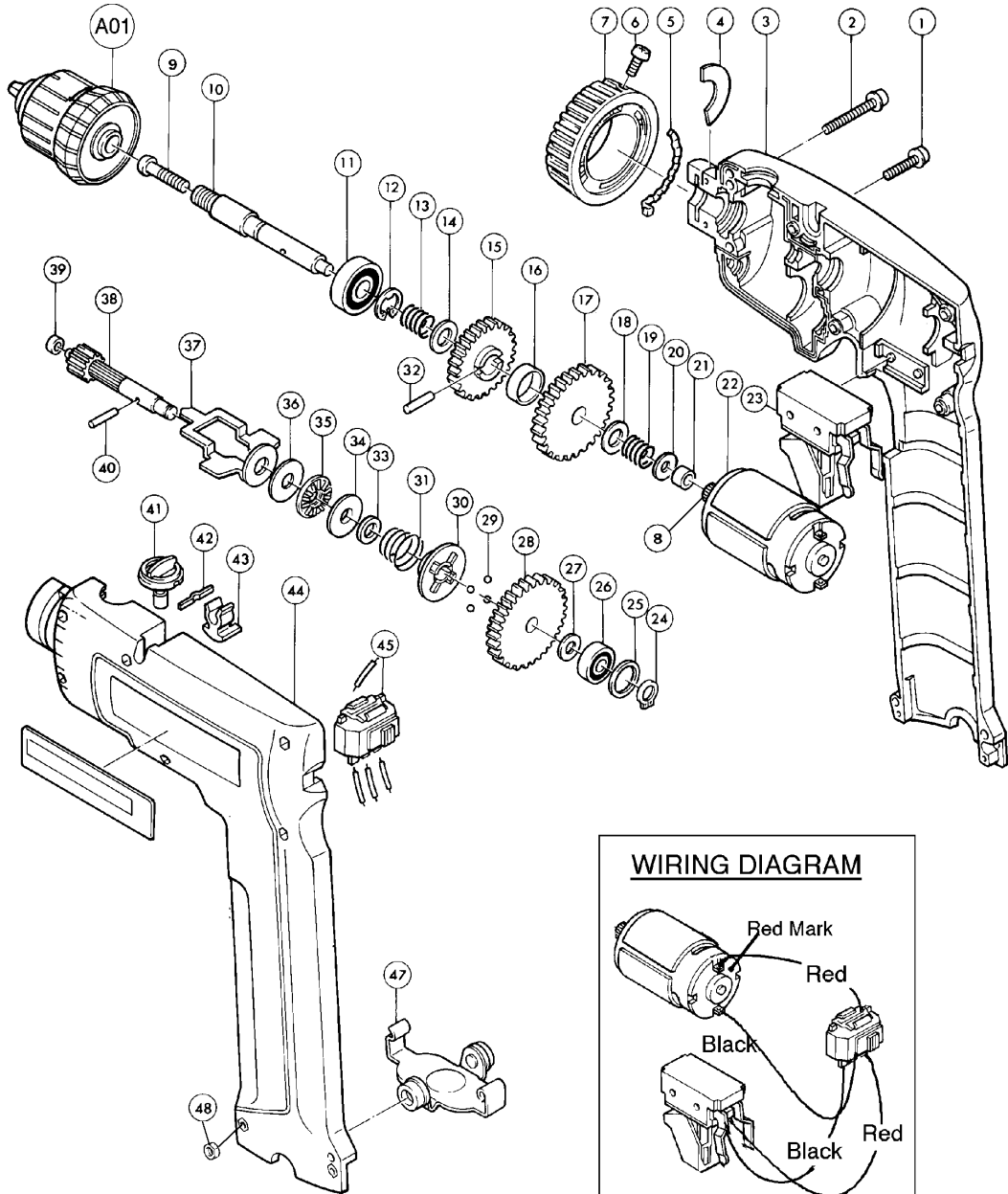




CORDLESS DRIVER DRILL

Model 6095D
Model 6095DQ*
Model 6095DW
Model 6095DWE
Model 6095DWBE
(MJ/MCA/MME/MCP)
Model 6095DWL-2



02-2001
6095DQ* Discontinued in 1992

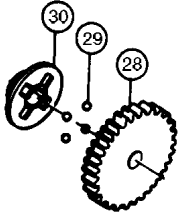
| Item No. | Part No. | No. Used | Description | Item No. | Part No. | No. Used | Description |
|----------|-----------------|----------|---|--------------------|------------------|----------|---|
| 1 | 911143-2 | 6 | P.H. Screw M4x22 (With Washer) | 47 | 163157-9 | 1 | Set Plate |
| 2 | 911163-6 | 2 | P.H. Screw M4x35 (With Washer) | 48 | 931102-0 | 8 | Hex Nut M4 |
| 3 | * | 1 | Housing | 100 | 655000-B | 1 | Plug (For Car Lighter) |
| 4 | 343421-6 | 2 | Guide Plate | Accessories | | | |
| 5 | 343410-1 | 1 | Cam Plate | A01 | 192016-0 | 1 | 3/8" Keyless Drill Chuck |
| 6 | 251322-3 | 2 | (+) P.H. Screw M5x12 | | 763101-2 | 1 | 3/8" Keyless Drill Chuck (1/16" ~ 3/8") |
| 7 | 414239-3 | 1 | Change Ring (Old 410936-9) | A02 | ----- | 1 | Bit (See Catalogue for Details) |
| 8 | 221882-9 | 1 | Spur Gear 15 | A03 | ----- | 1 | Magnetic Socket (See Catalogue for Details) |
| 9 | 251451-2 | 1 | (-) P.H. Screw M5x22 (Type 1)(MJ) | A04 | 632007-4 | 1 | 9.6V Ni-Cad 1.3Ah Battery 9000 (Old 632009-0) |
| | 265998-0 | 1 | C.S.H. Screw M5x21 (Type 2) (MCA) | | 192533-0 | 1 | 9.6V Ni-Cad 2.0Ah Battery 9002 |
| | 251457-0 | 1 | (-) P.H. Screw M5x20(Type 3) (MME) | | 192696-2 | 1 | 9.6V Ni-MH 2.2Ah Battery 9033 |
| | 265998-0 | 1 | C.S.H Screw M5X21 (Type 4)(MCP) | A05 | DC9710 | 1 | Charger For 7.2V & 9.6V 1.3Ah Ni-Cad Batteries (Old 113087-4 & CACDC9700) |
| 10 | 321995-7 | 1 | Spindle | | DC1411 | 1 | Charger DC1411 for 7.2V ~ 14.4V Ni-Cad & Ni-MH 1.3Ah ~ 3.0Ah Batteries |
| 11 | 211061-7 | 1 | Ball Bearing 6000LLB | A06 | DC1422 | 1 | Automotive Charger For 7.2V ~ 14.4V - 1.3Ah ~ 3.0Ah Ni-Cad & Ni-MH Batteries (With Item 100)(Old 113076-9 & CACDC9112) |
| 12 | 961015-1 | 1 | Stop Ring E-9 | | 113076-9 | 1 | Charger For 9.6V Ni-Cad 1.3Ah Batteries (With Item 100) |
| 13 | 231250-8 | 1 | Compression Spring 10 | | CAADC1412 | 1 | Charger for 7.2V ~ 14.4V Ni-Cad 1.3Ah ~ 2.0Ah Batteries (With Item 100) |
| 14 | 253330-0 | 1 | Thin Washer 10 | A07 | 823033-3R | 1 | Leather Holster, Right Handed |
| 15 | 221862-5 | 1 | Spur Gear 78 | | 823033-3L | 1 | Leather Holster, Left Handed |
| 16 | 257073-6 | 1 | Ring 16 | A08 | 823033-3C | 1 | Battery Holster |
| 17 | 221884-5 | 1 | Spur Gear 93 | A09 | 182338-6 | 1 | Plastic Carrying Case (For 6095DQ) (Case molded Handle and Snap Locks) |
| 18 | 253330-0 | 1 | Thin Washer 10 | | 824393-9 | 1 | Plastic Carrying Case (With Items A10 & A15)(For 6095DW, 6095DWE) (Old 824145-8 - Metal Case for 6095DW - No Longer Available) |
| 19 | 231250-8 | 1 | Compression Spring 10 | | E00065-2 | 1 | Plastic Carrying Case (With inside door) (With Items A14 & A16) |
| 20 | 253807-5 | 1 | Flat Washer 5 | | 824557-5 | 1 | Plastic Carrying Case (6095DWBE) (Includes Items A14 & A16) |
| 21 | 214017-9 | 1 | Plane Bearing 5 | | A82446-0 | 1 | Plastic Carrying Case (With A14 & A16) (6095DWL-2) |
| 22 | 629581-1 | 1 | Motor 9.6V D.C. (With Item 8) | A10 | A00182-5 | 2 | Snap Lock (M) |
| 23 | 651347-1 | 1 | Variable Speed Switch | A11 | 414938-7 | 1 | Battery Cap |
| 24 | 961002-0 | 1 | Retaining Ring S-6 | A12 | 794173-6 | 1 | Wool Bonnet |
| 25 | 253842-3 | 1 | Flat Washer 14 | A13 | 123001-2 | 1 | Rubber Pad Assy |
| 26 | 211016-2 | 1 | Ball Bearing 626LLB | A14 | A00181-7 | 1 | Black Plastic Handle (L) |
| 27 | 253804-1 | 1 | Flat Washer 6 | A15 | A00180-9 | 1 | Black Plastic Handle (S) |
| 28 | * | 1 | Spur Gear 89 | A16 | A00188-3 | 2 | Snap Lock (L) |
| 29 | * | 4 | Steel Ball | | | | |
| 30 | * | 1 | Clutch Cam | | | | |
| 31 | 231927-5 | 1 | Conical Compression Spring 16-21 | | | | |
| 32 | 256101-4 | 1 | Pin 3 | | | | |
| 33 | 257141-5 | 1 | Ring 8 | | | | |
| 34 | 341902-4 | 1 | Disc | | | | |
| 35 | 216401-4 | 1 | Thrust Needle Gauge 1023 (MJ) (MCA) | | | | |
| | 216401-4A | 1 | Thrust Needle Gauge 1024 (MME) | | | | |
| | 216413-7 | 1 | Thrust Needle Gauge 1023 (MCP) | | | | |
| 36 | 253851-2 | 1~2 | Flat Washer 8 (MJ) (MME) (Thickness: 0.5mm) | | | | |
| | 267076-2 | 1 | Flat Washer 8 (MCA) (Thickness: 1.0mm) | | | | |
| 37 | 164840-1 | 1 | Slider | | | | |
| 38 | 226062-2 | 1 | Gear Com. 12-28 | | | | |
| 39 | 214019-5 | 1 | Plane Bearing 4 | | | | |
| 40 | 256119-5 | 1 | Pin 3 | | | | |
| 41 | 168096-8 | 1 | Shifter | | | | |
| 42 | 232053-3 | 1 | Leaf Spring | | | | |
| 43 | 411640-3 | 1 | Holder 6 | | | | |
| 44 | * | 1 | Housing (Includes Item 48) | | | | |
| 45 | 531057-5 | 1 | Switch F/R | | | | |

* SEE SERVICE CHANGES

2 Model 6095D
2 Model 6095DQ*
2 Model 6095DW
2 Model 6095DWE
2 Model 6095DWBE
2 Model 6095DWL-2

SERVICE CHANGES

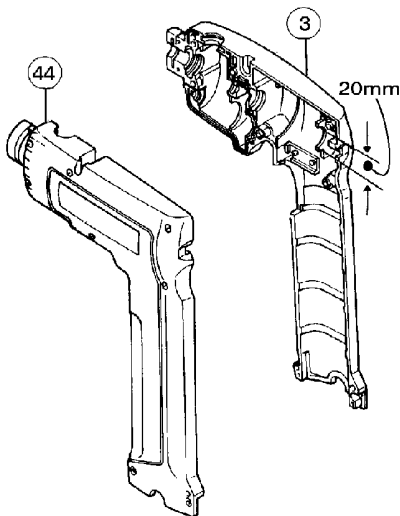
1. Change on Spur Gear, Steel Ball & Clutch Cam.



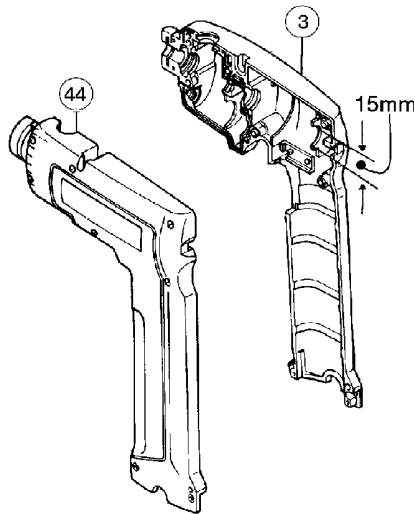
| Item No. | Description | Type 1 | Type 2 |
|----------|-------------------|----------------|----------------|
| 28 | Spur Gear 89 | 221883-7 | 226233-1 |
| 29 | Steel Ball | 216002-8 (4.8) | 216011-7 (5.6) |
| 30 | Clutch Cam | 223059-2 | 223086-9 |
| | Serial No. 6095D | ~ 500353E | 500354E ~ |
| | Serial No. 6095DW | ~ 34715E | 34716E ~ |

2. Change on Housing.

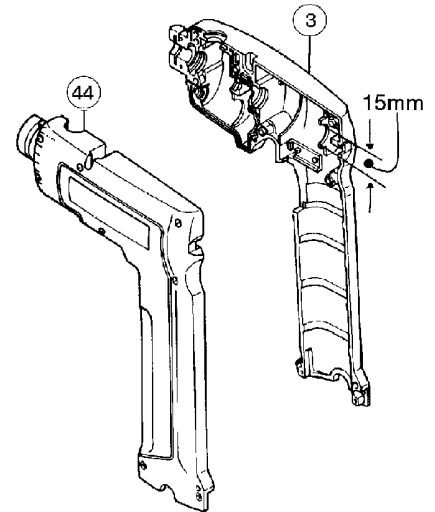
Type 1



Type 2



Type 3



| Item No. | Description | Type 1 (MJ) | Type 2 (MME) | Type 3 (MCP) |
|----------|-------------|-----------------------------------|--------------|------------------------------------|
| 3 | Housing (R) | 414391-7 (No Longer Available) | 415007-7 | 183055-1 Set (415007-7A) |
| 44 | Housing (L) | 414392-5 (No Longer Available) | 415008-5 | 183055-1 Set (415008-5A) |

3 Model 6095D
 3 Model 6095DQ*
 3 Model 6095DW
 3 Model 6095DWE
 3 Model 6095DWBE
 3 Model 6095DWL-2