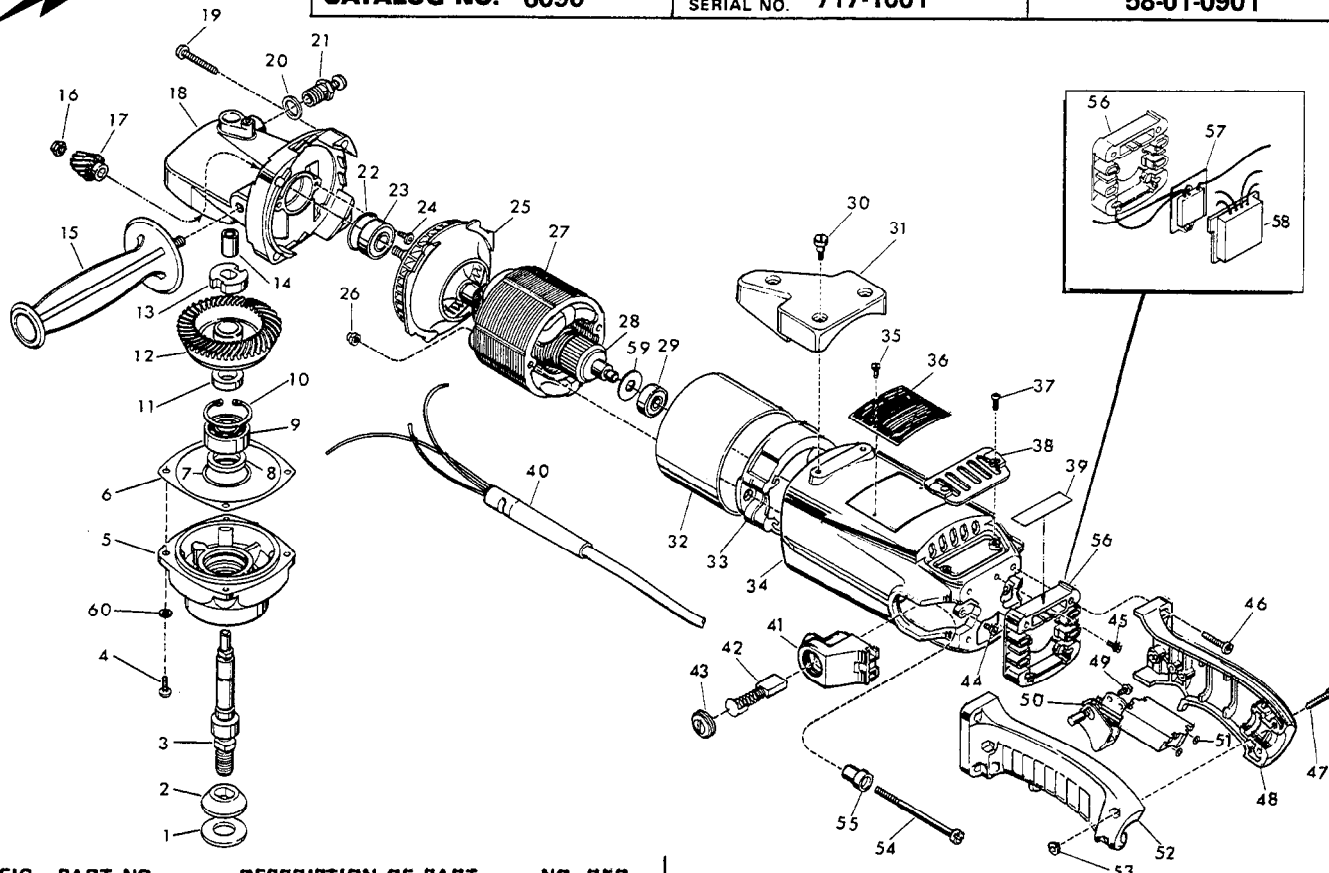




SERVICE PARTS LIST

BULLETIN NO.
54-38-0340

| | | | |
|--|------------------------------|----------------------------------|----------|
| SPECIFY CATALOG NO. AND SERIAL NO. WHEN ORDERING PARTS | | REVISED BULLETIN | DATE |
| 9" SANDER - 6000 R.P.M. | | | Sept.'87 |
| CATALOG NO. 6096 | STARTING SERIAL NO. 717-1001 | WIRING INSTRUCTION 58-01-0901 | |



| FIG. | PART NO. | DESCRIPTION OF PART | NO. REQ. |
|------|------------|--|----------|
| 1 | 45-88-0180 | Spindle Washer - Rubber | (1) |
| 2 | 49-05-0060 | Washer Flange | (1) |
| 3 | 38-50-5560 | Spindle Shaft | (1) |
| 4 | 08-82-5568 | 10-24 x 1/2" Pan Hd. Torx Taptite Screw | (4) |
| 5 | 28-14-1735 | Lower Gear Case | (1) |
| 6 | 45-14-0225 | Shim - Blue .005 Thick (See Note) | (1) |
| 7 | 34-40-1810 | O-Ring | (1) |
| 8 | 45-06-0330 | Felt Seal | (1) |
| 9 | 02-04-1746 | Ball Bearing | (1) |
| 10 | 34-80-2960 | Retaining Ring - Internal | (1) |
| 11 | 45-36-1250 | Spacer | (1) |
| 12 | 32-05-2200 | Spiral Bevel Gear | (1) |
| 13 | 42-74-0060 | Spindle Locking Cog (Dimple Side to Fig. 12) | (1) |
| 14 | 02-50-2428 | Needle Bearing | (1) |
| 15 | 43-62-0880 | Side Handle | (1) |
| 16 | 06-57-5006 | 1/4 - 28 Locking Hex Nut (See Note) | (1) |
| 17 | 32-60-1290 | Spiral Bevel Pinion | (1) |
| 18 | 28-14-1745 | Upper Gear Case | (1) |
| 19 | 06-82-5716 | 1/4-20 x 1-1/4 Pan Hd. Torx Taptite Screw | (4) |
| 20 | 45-88-5320 | Flat Washer | (1) |
| 21 | 44-20-0235 | Spindle Lock Assembly | (1) |
| 22 | 34-40-1375 | O-Ring | (1) |
| 23 | 02-04-1230 | Ball Bearing | (1) |
| 24 | 06-82-5522 | 8-32 x .328 Pan Hd. Torx Taptite Screw | (2) |
| 25 | 42-14-0300 | Baffle | (1) |
| 26 | 06-57-3005 | 10-32 Locking Hex Nut | (2) |
| 27 | 18-70-0280 | 120 Volt Field | (1) |
| 28 | 16-70-0280 | 120 Volt Armature (Incl. 22-84-0800 Fan) | (1) |
| 29 | 02-04-0911 | Ball Bearing | (1) |
| 30 | 45-04-0670 | Shoulder Screw | (3) |
| 31 | 31-70-0150 | Tool Rest | (1) |
| 32 | 23-18-0950 | Insulating Sleeve | (1) |
| 33 | 31-55-0110 | Coil Shield | (1) |
| 34 | 28-50-6361 | Motor Housing (Incl. 45-30-0120 Slug) | (1) |
| 35 | 08-85-0200 | Nameplate Screw | (2) |

| FIG. | PART NO. | DESCRIPTION OF PART | NO. REQ. |
|------|------------|--|----------|
| 36 | 12-98-0405 | Nameplate Blank | (1) |
| 37 | 08-95-3801 | 8-32 x 3/8" Oval Hd. Taptite Screw | (2) |
| 38 | 31-15-0310 | Cover Plate | (1) |
| 39 | 12-98-7270 | Instruction Plate | (1) |
| 40 | 22-64-0078 | Cord Set | (1) |
| 41 | 22-22-0401 | Brush Holder Assy. (Coarse Thread) Includes 22-20-0380 Brush Tube & 23-44-0170 Brush Cap | (2) |
| | 22-22-0400 | Brush Holder Assy. (Previous Fine Thread Assy.) Incl. 22-20-0380 Brush Tube | (2) |
| 42 | 22-18-0145 | Carbon Brush Assembly | (2) |
| 43 | 23-44-0170 | Brush Retaining Cap - Coarse Thread | (2) |
| | 23-44-0140 | Brush Retaining Cap - Fine Thread | (2) |
| 44 | 06-82-7252 | 8-32 x 3/8" Pan Hd. Screw | (2) |
| 45 | 06-95-5200 | 8-32 x 5/16" Slot Hex Hd. Screw | (1) |
| 46 | 06-82-5584 | 10-24 x 1-3/8" Pan Hd. Torx Taptite Screw | (4) |
| 47 | 06-82-2588 | 10-24 x 7/8" Pan Hd. Torx Screw | (3) |
| 48 | 31-44-0580 | Right Handle Half | (1) |
| 49 | 06-82-7409 | 8-16 x 1/2" Pan Hd. Torx Plastite Screw | (1) |
| 50 | 23-68-0255 | Switch | (1) |
| 51 | 08-97-1800 | Switch Lockwasher - No. 6 Internal Tooth | (4) |
| 52 | 31-44-0805 | Left Handle Half | (1) |
| 53 | 06-55-1050 | 10-24 Hex Nut | (3) |
| 54 | 06-81-1170 | 10-32 x 3" Flat Fil. Hd. Screw | (2) |
| 55 | 31-98-0160 | Insulating Bushing | (2) |
| 56 | 31-98-0190 | Insulating Spacer (See Insert) | (1) |
| 57 | 14-20-0210 | Power Module - Assembly | (1) |
| 58 | 14-20-0200 | Control Module Assembly | (1) |
| 59 | 45-08-0390 | Dust Seal | (1) |
| 60 | 06-97-3500 | No. 10 Split Ring Lockwasher | (4) |

Fig. No. 6 - As Required (Max. .015")

LUBRICATION

1-1/2 oz. - Type "G" Grease