



SERVICE PARTS LIST

BULLETIN NO.
54-38-0341

SPECIFY CATALOG NO. AND SERIAL NO. WHEN ORDERING PARTS		REVISED BULLETIN	DATE
9" SANDER - 6000 R.P.M.		54-38-0340	Nov. '88
CATALOG NO. 6096	STARTING SERIAL NO. 717-33701	WIRING INSTRUCTION 58-01-0901	

EXAMPLE:

00	0
----	---

 Component Parts (Small #) Are Included
 When Ordering The Assembly (Large #).

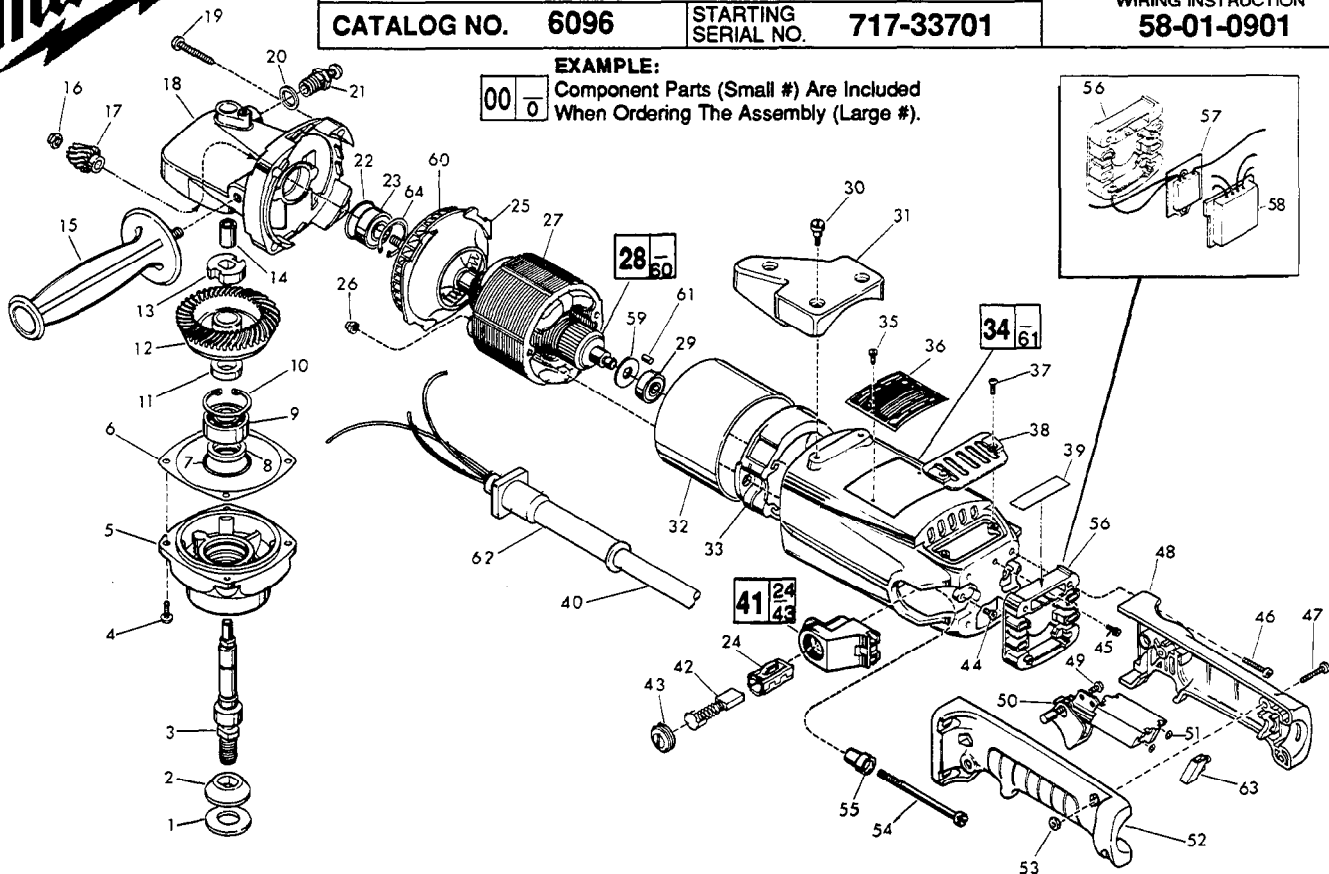


FIG.	PART NO.	DESCRIPTION OF PART	NO. REQ.	FIG.	PART NO.	DESCRIPTION OF PART	NO. REQ.
	1	45-88-0160 Spindle Washer - Rubber	(1)	★ 40	22-64-3000	Cord Set	(1)
	2	49-05-0060 Washer Flange	(1)	41	22-22-0401	Brush Holder Assembly	(2)
	3	38-50-5560 Spindle Shaft	(1)	42	22-18-0145	Carbon Brush Assembly	(2)
★	4	06-82-8864 10-24 x 1/2" Pan Hd. Torx Sems Screw	(4)	43	23-44-0170	Brush Retaining Cap	(2)
	5	28-14-1735 Lower Gear Case	(1)	44	06-82-7252	8-32 x 3/8" Pan Hd. Screw	(2)
	6	45-14-0225 Shim - Blue .005 Thick	(1)	45	06-95-5200	8-32 x 5/16" Slot Hex Hd. Screw	(1)
	7	45-14-0210 Shim - Red .010 Thick	(1)	46	06-82-5584	10-24 x 1-3/8" Pan Hd. Torx Taptite Screw	(4)
	8	34-40-1610 O-Ring	(1)	★ 47	06-82-2378	10-24 x 1" Pan Hd. Torx Screw	(3)
	9	45-06-0330 Felt Seal	(1)	★ 48	31-44-0606	Right Handle Half	(1)
	10	02-04-1746 Ball Bearing	(1)	49	06-82-7409	8-16 x 1/2" Pan Hd. Torx Plastite Screw	(1)
	11	34-80-2960 Retaining Ring - Internal	(1)	50	23-66-0255	Switch	(1)
	12	45-36-1250 Spacer	(1)	51	06-97-1800	Switch Lockwasher - No. 6 Internal Tooth	(4)
	13	32-05-2200 Spiral Bevel Gear	(1)	★ 52	31-44-0607	Left Handle Half	(1)
	14	42-74-0080 Spindle Locking Cog	(1)	53	06-55-1050	10-24 Hex Nut	(3)
	15	02-50-2428 Needle Bearing	(1)	54	06-81-1170	10-32 x 3" Flat Fil. Hd. Screw	(2)
	16	43-62-0880 Side Handle	(1)	55	31-86-0160	Insulating Bushing	(2)
	17	06-57-5006 1/4 - 28 Locking Hex Nut	(1)	56	31-86-0190	Insulating Spacer (See Insert)	(1)
	18	32-60-1290 Spiral Bevel Pinion	(1)	57	14-20-0210	Power Module Assembly	(1)
★	19	28-14-2035 Upper Gear Case	(1)	58	14-20-0200	Control Module Assembly	(1)
	20	06-82-5716 1/4-20 x 1-1/4" Pan Hd. Torx Taptite Screw	(4)	59	45-06-0390	Dust Seal	(1)
	21	45-88-5320 Flat Washer	(1)	60	22-84-0800	Fan	(1)
	22	44-20-0235 Spindle Lock Assembly	(1)	61	45-30-0070	Ball Bearing Retaining Slug	(1)
	23	34-40-1375 O-Ring	(1)	★ 62	44-76-0170	Cord Protector	(1)
	24	02-04-1230 Ball Bearing	(1)	★ 63	22-56-0480	Terminal Block	(1)
	25	22-20-0360 Brush Tube	(2)	★ 64	34-80-2600	Internal Retaining Ring	(1)
	26	42-14-0300 Baffle	(1)				
	27	06-57-3005 10-32 Locking Hex Nut	(2)				
★	28	18-70-0260 120 Volt Field	(1)				
	29	16-70-0300 120 Volt Armature	(1)				
	30	02-04-0911 Ball Bearing	(1)				
	31	45-04-0570 Shoulder Screw	(3)				
	32	31-70-0150 Tool Rest	(1)				
	33	23-16-0950 Insulating Sleeve	(1)				
	34	31-55-0110 Coil Shield	(1)				
	35	28-50-6351 Motor Housing	(1)				
	36	06-85-0200 Nameplate Screw	(2)				
	37	12-99-0405 Nameplate Blank	(1)				
	38	06-95-3601 8-32 x 3/8" Oval Hd. Taptite Screw	(2)				
	39	31-15-0310 Cover Plate	(1)				
	40	12-98-7270 Instruction Plate	(1)				

FIG. NOTES
 6 As Required (Max. .015").
 13 Dimple Side To Fig. 12.

FIG. LUBRICATION
 18 2 Oz. Type "G" Grease, No. 49-08-4140.

MILWAUKEE ELECTRIC TOOL CORPORATION
 13135 W. LISBON RD., BROOKFIELD, WI 53005