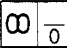




SERVICE PARTS LIST

BULLETIN NO.
54-38-0827

SPECIFY CATALOG NO. AND SERIAL NO. WHEN ORDERING PARTS		REVISED BULLETIN 54-38-0826	DATE June '98
BAND FILE			
CATALOG NO. 6101	STARTING SERIAL NO. 878C	WIRING INSTRUCTION 58-01-0309	

EXAMPLE:
 Component Parts (Small #) Are Included
 When Ordering The Assembly (Large #).

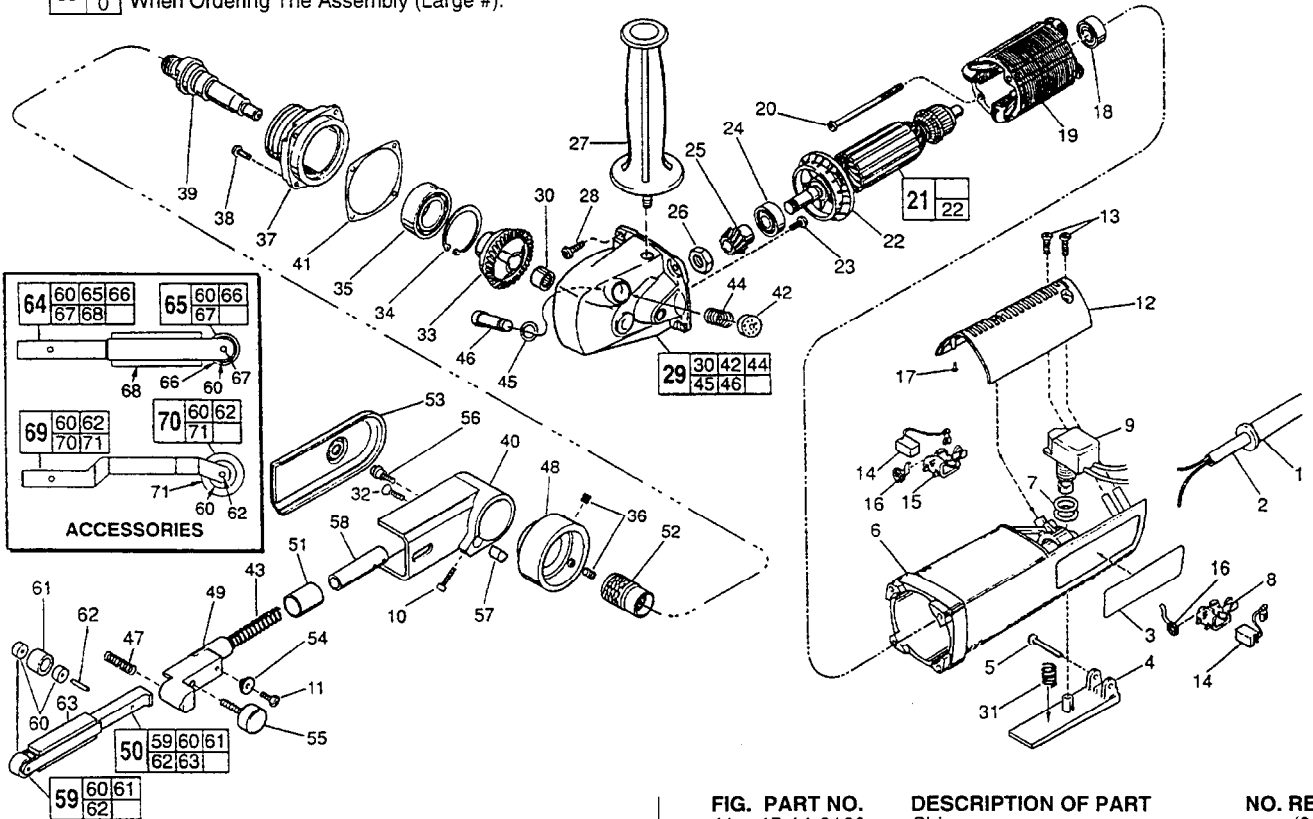


FIG.	PART NO.	DESCRIPTION OF PART	NO. REQ.
1	44-76-0130	Cord Protector	(1)
2	22-64-0215	Cord Set	(1)
3	12-20-1295	Service Nameplate Kit	(1)
4	31-92-0112	Trigger	(1)
5	06-72-0815	.146 Dia. x 1-3/8" Rivet	(1)
6	31-50-0426	Motor Housing	(1)
7	34-40-4015	O-Ring	(2)
8	22-20-0691	Left Brush Holder	(1)
9	23-66-2171	Switch	(1)
10	06-75-2500	Motor Lock Screw	(1)
11	06-75-2510	Screw	(1)
12	31-15-0143	Cover	(1)
13	06-82-7270	8-16 x 5/8" Pan Hd. Slit. Plastite T-20	(3)
14	22-18-0710	Carbon Brush Assembly	(2)
15	22-20-0692	Right Brush Holder	(1)
16	23-52-0240	Brush Spring	(2)
17	42-38-0181	Rubber Bumper	(2)
18	02-04-0848	Ball Bearing	(1)
19	18-07-0055	120 Volt Field	(1)
20	06-82-7375	8-16 x 2-1/2" Pan Hd. Plastite T-20	(2)
21	16-07-0060	120 Volt Armature	(1)
22	22-84-0680	Fan	(1)
23	06-82-2292	8-32 x 3/8" Pan Hd. Slit. Taptite T-20	(2)
24	02-04-1020	Ball Bearing	(1)
25	32-60-1305	Pinion	(1)
26	06-55-1115	1/4-28 Hex Jam Nut	(1)
27	49-15-0310	Side Handle	(1)
28	06-82-7260	7-18 x 5/8" Pan Hd. Slit. Plastite T-20	(4)
★ 29	14-30-0302	Gear Case Kit	(1)
30	02-50-2423	Needle Bearing	(1)
31	40-50-1300	Coil Spring	(1)
32	06-75-2520	Screw	(1)
33	32-05-2240	Spiral Bevel Gear	(1)
34	34-80-2960	Retaining Ring-Internal	(1)
35	02-04-1746	Ball Bearing	(1)
36	06-83-1500	Set Screw	(2)
★ 37	28-52-0222	Spindle Hub	(1)
38	06-82-5316	8-32 x 1/2" Pan Hd. Slit. Taptite T-20	(4)
39	38-50-5202	Spindle	(1)
40	28-50-0250	Housing	(1)

FIG.	PART NO.	DESCRIPTION OF PART	NO. REQ.
41	45-14-0160	Shim	(0-3)
42	31-12-0205	Cap	(1)
43	40-50-0205	Spring	(1)
44	40-50-8650	Coil Spring	(1)
45	34-40-4300	O-Ring	(1)
46	44-60-0845	Lock Pin	(1)
47	40-50-0210	Spring	(1)
48	42-04-0700	Adapter	(1)
49	42-09-0150	Tension Arm	(1)
50	42-09-0160	1/2" Contact Arm Assembly	(1)
51	42-92-1200	Dust Cover	(1)
52	43-12-0100	Drive Wheel	(1)
53	43-54-0605	Cover/Gasket Assembly	(1)
54	43-56-0560	Guide	(1)
55	43-98-0600	Knob	(1)
56	44-20-0400	Button Latch Assembly	(1)
57	44-20-0401	Motor Lock	(1)
58	45-60-0350	Support Rod	(1)
59	45-94-0390	1/2" Wheel Assembly	(1)
60	02-04-0350	Ball Bearing	(2)
61	42-09-0175	Wheel	(1)
62	45-08-0380	Shaft	(1)
63	44-66-5516	1/2" Platen (Pkg. of 5 - Cut to length)	(2)
64	42-09-0170	3/4" Contact Arm Assembly	(1)
65	45-94-0400	3/4" Wheel Assembly	(1)
66	42-09-0185	Wheel	(1)
67	45-08-0385	Shaft	(1)
68	44-66-5517	3/4" Platen (Pkg. of 5 - Cut to length)	(2)
69	42-09-0165	Offset Contact Arm Assembly	(1)
70	45-94-0395	Offset Wheel Assembly	(1)
71	42-09-0180	Wheel	(1)
	49-96-0065	9/64" Hex Key	(1)

FIG. LUBRICATION
 29 1/4 Oz. "O" Grease, No. 49-08-4200.

FIG. NOTES:
 26 Torque To 45 In./Lbs.

MILWAUKEE ELECTRIC TOOL CORPORATION
 13135 W. LISBON RD., BROOKFIELD, WI 53005