



SERVICE PARTS LIST

BULLETIN NO.
54-38-0828

SPECIFY CATALOG NO. AND SERIAL NO. WHEN ORDERING PARTS		REVISED BULLETIN	DATE
BAND FILE		54-38-0827	Oct. 2004
CATALOG NO. 6101	STARTING SERIAL NO. 878D	WIRING INSTRUCTION 58-01-0309	

EXAMPLE:
Component Parts (Small #) Are Included
When Ordering The Assembly (Large #).

00	0
----	---

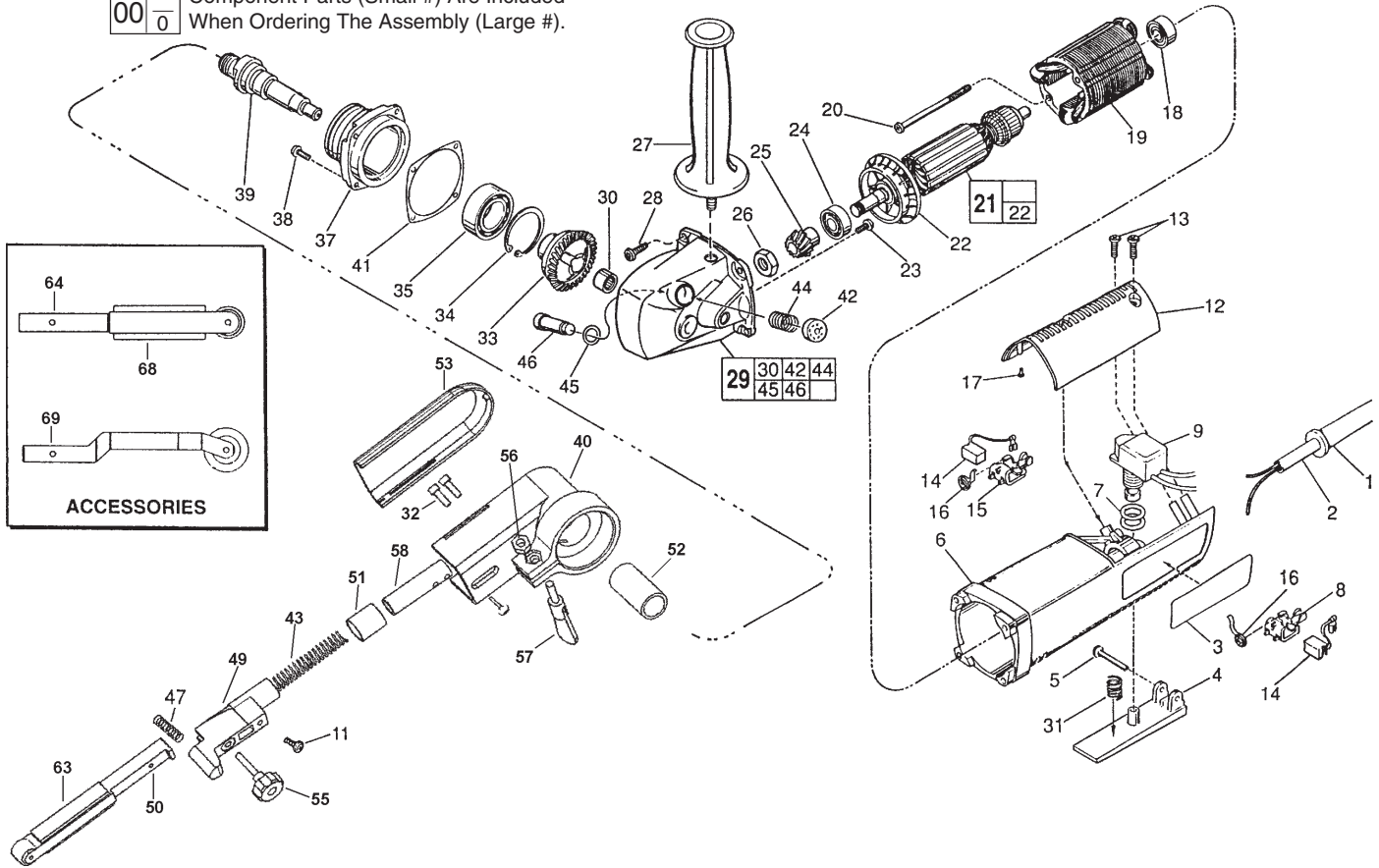


FIG.	PART NO.	DESCRIPTION OF PART	NO.	REQ.	FIG.	PART NO.	DESCRIPTION OF PART	NO.	REQ.
1	44-76-0130	Cord Protector	(1)		41	45-14-0160	Shim	(0-3)	
2	22-64-0215	Cord Set	(1)		42	31-12-0205	Cap	(1)	
3	-----	Service Nameplate Kit	(1)		43	40-50-0205	Spring	(1)	
4	31-92-0112	Trigger	(1)		44	40-50-8650	Coil Spring	(1)	
5	06-72-0815	.146 Dia. x 1-3/8" Rivet	(1)		45	34-40-4300	O-Ring	(1)	
6	31-50-0426	Motor Housing	(1)		46	44-60-0845	Lock Pin	(1)	
7	34-40-4015	O-Ring	(2)		47	40-50-0210	Spring	(1)	
8	22-20-0691	Left Brush Holder	(1)		★ 49	42-09-0250	Tension Arm	(1)	
9	23-66-2171	Switch	(1)		★ 50	42-09-0260	1/2" Contact Arm Assembly	(1)	
★ 11	45-04-0115	Shoulder Screw	(1)		51	42-92-1200	Dust Cover	(1)	
12	31-15-0143	Cover	(1)		52	43-12-0100	Drive Wheel	(1)	
13	06-82-7270	8-16 x 5/8" Pan Hd. Sit. Plastite T-20	(3)		★ 53	43-54-0615	Cover	(1)	
14	22-18-0710	Carbon Brush Assembly	(2)		★ 55	43-98-0700	Knob	(1)	
15	22-20-0692	Right Brush Holder	(1)		★ 56	05-55-0116	Nut	(1)	
16	23-52-0240	Brush Spring	(2)		★ 57	45-04-0015	Clamp Screw	(1)	
17	42-38-0181	Rubber Bumper	(2)		★ 58	45-60-0450	Support Rod	(1)	
18	02-04-0848	Ball Bearing	(1)		★ 63	44-66-5518	1/2" Platen (Pkg. of 10 - Cut to length)	(1)	
19	18-07-0055	120 Volt Field	(1)		★ 64	48-08-0295	3/4" Contact Arm Assembly	(1)	
20	06-82-7375	8-16 x 2-1/2" Pan Hd. Plastite T-20	(2)		★ 68	44-66-5519	3/4" Platen (Pkg. of 10 - Cut to length)	(1)	
21	16-07-0060	120 Volt Armature	(1)		★ 69	48-08-0290	Offset Contact Arm Assembly	(1)	
22	22-84-0680	Fan	(1)						
23	06-82-2292	8-32 x 3/8" Pan Hd. Sit. Taptite T-20	(2)						
24	02-04-1020	Ball Bearing	(1)						
25	32-60-1305	Pinion	(1)						
26	06-55-1115	1/4-28 Hex Jam Nut	(1)						
27	49-15-0310	Side Handle	(1)						
28	06-82-7260	7-18 x 5/8" Pan Hd. Sit. Plastite T-20	(4)						
29	14-30-0302	Gear Case Kit	(1)						
30	02-50-2423	Needle Bearing	(1)						
31	40-50-1300	Coil Spring	(1)						
★ 32	05-84-0015	Skt. Hd. Cap Screw	(2)						
33	32-05-2240	Spiral Bevel Gear	(1)						
34	34-80-2960	Retaining Ring-Internal	(1)						
35	02-04-1746	Ball Bearing	(1)						
37	28-52-0222	Spindle Hub	(1)						
38	06-82-5316	8-32 x 1/2" Pan Hd. Sit. Taptite T-20	(4)						
★ 39	38-50-5212	Spindle	(1)						
★ 40	28-50-0350	Housing	(1)						

FIG. LUBRICATION
29 1/4 Oz. "O" Grease, No. 49-08-4200.

FIG. NOTES:
26 Torque To 45 In./Lbs.