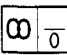




SERVICE PARTS LIST

BULLETIN NO.
54-38-0852

SPECIFY CATALOG NO. AND SERIAL NO. WHEN ORDERING PARTS		REVISED BULLETIN 54-38-0851	DATE June '98
BAND FILE			
CATALOG NO. 6105	STARTING SERIAL NO. 879C	WIRING INSTRUCTION 58-01-0309	

EXAMPLE:
 Component Parts (Small #) Are Included
 When Ordering The Assembly (Large #).

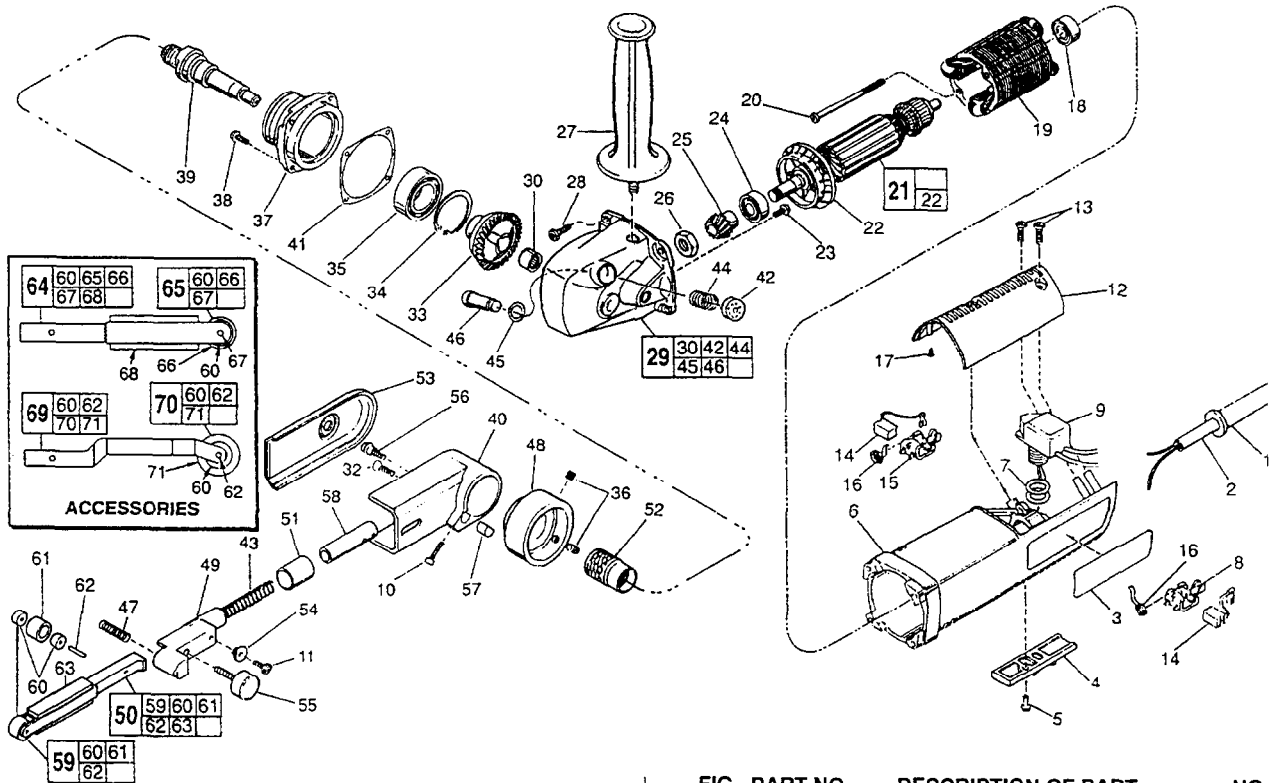


FIG. PART NO.	DESCRIPTION OF PART	NO. REQ.
1	44-76-0130 Cord Protector	(1)
2	22-64-0215 Cord Set	(1)
3	12-20-1300 Service Nameplate Kit	(1)
4	31-55-0156 Trigger Cover	(1)
5	06-82-7409 8-16 x 1/2" Pan Hd. Slotted Plastite T-20	(1)
6	31-50-0426 Motor Housing	(1)
7	34-40-4015 O-Ring	(2)
8	22-20-0691 Left Brush Holder	(1)
9	23-66-2190 Switch	(1)
10	06-75-2500 Motor Lock Screw	(1)
11	06-75-2510 Screw	(1)
12	31-15-0143 Cover	(1)
13	06-82-7270 8-16 x 5/8" Pan Hd. Slit. Plastite T-20	(3)
14	22-18-0710 Carbon Brush Assembly	(2)
15	22-20-0692 Right Brush Holder	(1)
16	23-52-0240 Brush Spring	(2)
17	42-38-0181 Rubber Bumper	(1)
18	02-04-0848 Ball Bearing	(2)
19	18-07-0055 120 Volt Field	(1)
20	06-82-7375 8-16 x 2-1/2" Pan Hd. Plastite T-20	(2)
21	16-07-0060 120 Volt Armature	(1)
22	22-84-0680 Fan	(1)
23	06-82-2292 8-32 x 3/8" Pan Hd. Slit. Taptite T-20	(2)
24	02-04-1020 Ball Bearing	(1)
25	32-60-1305 Pinion	(1)
26	06-55-1115 1/4-28 Hex Jam Nut	(1)
27	49-15-0310 Side Handle	(1)
28	06-82-7260 7-18 x 5/8" Pan Hd. Slit. Plastite T-20	(4)
★ 29	14-30-0302 Gear Case Kit	(1)
30	02-50-2423 Needle Bearing	(1)
32	06-75-2520 Screw	(1)
33	32-05-2240 Spiral Bevel Gear	(1)
34	34-80-2960 Retaining Ring-Internal	(1)
35	02-04-1746 Ball Bearing	(1)
36	06-83-1500 Set Screw	(2)
★ 37	28-52-0222 Spindle Hub	(1)
38	06-82-5316 8-32 x 1/2" Pan Hd. Slit. Taptite T-20	(4)
39	38-50-5202 Spindle	(1)
40	28-50-0250 Housing	(1)

FIG. PART NO.	DESCRIPTION OF PART	NO. REQ.
41	45-14-0160 Shim	(0-3)
42	31-12-0205 Cap	(1)
43	40-50-0205 Spring	(1)
44	40-50-8650 Coil Spring	(1)
45	34-40-4300 O-Ring	(1)
46	44-60-0845 Lock Pin	(1)
47	40-50-0210 Spring	(1)
48	42-04-0700 Adapter	(1)
49	42-09-0150 Tension Arm	(1)
50	42-09-0160 1/2" Contact Arm Assembly	(1)
51	42-92-1200 Dust Cover	(1)
52	43-12-0100 Drive Wheel	(1)
53	43-54-0605 Cover/Gasket Assembly	(1)
54	43-56-0560 Guide	(1)
55	43-98-0600 Knob	(1)
56	44-20-0400 Button Latch Assembly	(1)
57	44-20-0401 Motor Lock	(1)
58	45-60-0350 Support Rod	(1)
59	45-94-0390 1/2" Wheel Assembly	(1)
60	02-04-0350 Ball Bearing	(2)
61	42-09-0175 Wheel	(1)
62	45-08-0380 Shaft	(1)
63	44-66-5516 1/2" Platen (Pkg. of 5 - Cut to length)	(2)
64	42-09-0170 3/4" Contact Arm Assembly	(1)
65	45-94-0400 3/4" Wheel Assembly	(1)
66	42-09-0185 Wheel	(1)
67	45-08-0385 Shaft	(1)
68	44-66-5517 3/4" Platen (Pkg. of 5 - Cut to length)	(2)
69	42-09-0165 Offset Contact Arm Assembly	(1)
70	45-94-0395 Offset Wheel Assembly	(1)
71	42-09-0180 Wheel	(1)
	49-96-0065 9/64" Hex Key	(1)

FIG. LUBRICATION
29 1/4 Oz. "O" Grease, No. 49-08-4200.

FIG. NOTES:
26 Torque To 45 In./Lbs.

MILWAUKEE ELECTRIC TOOL CORPORATION
13135 W. LISBON RD., BROOKFIELD, WI 53005