



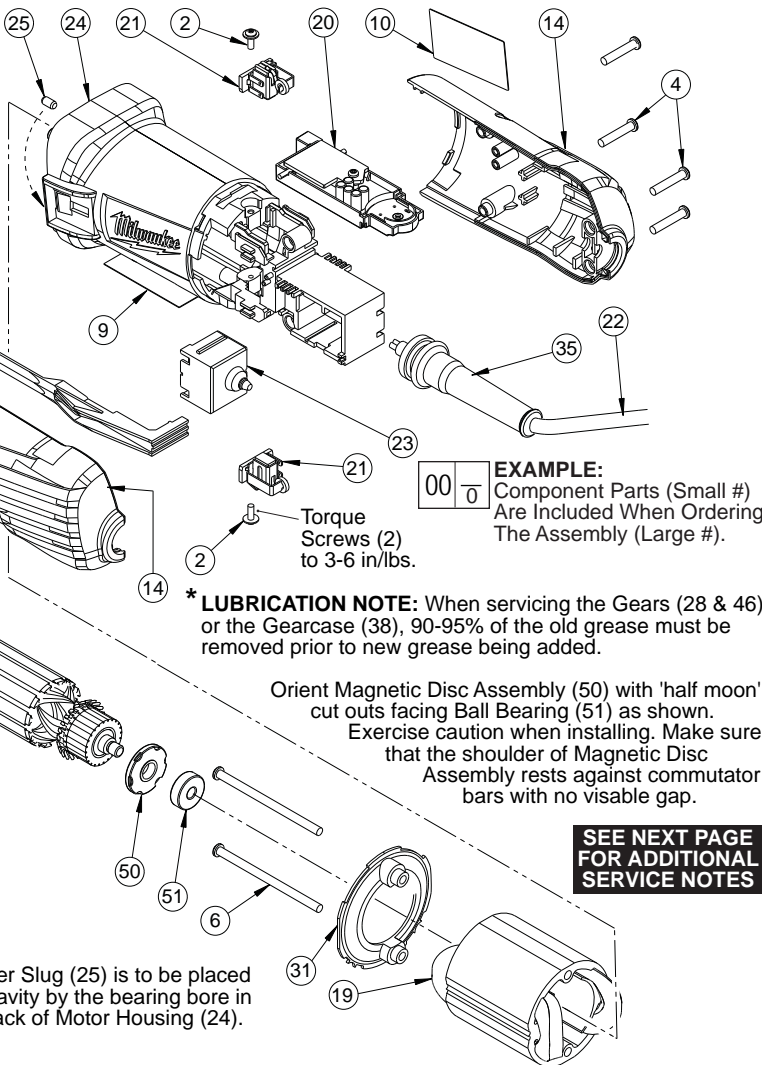
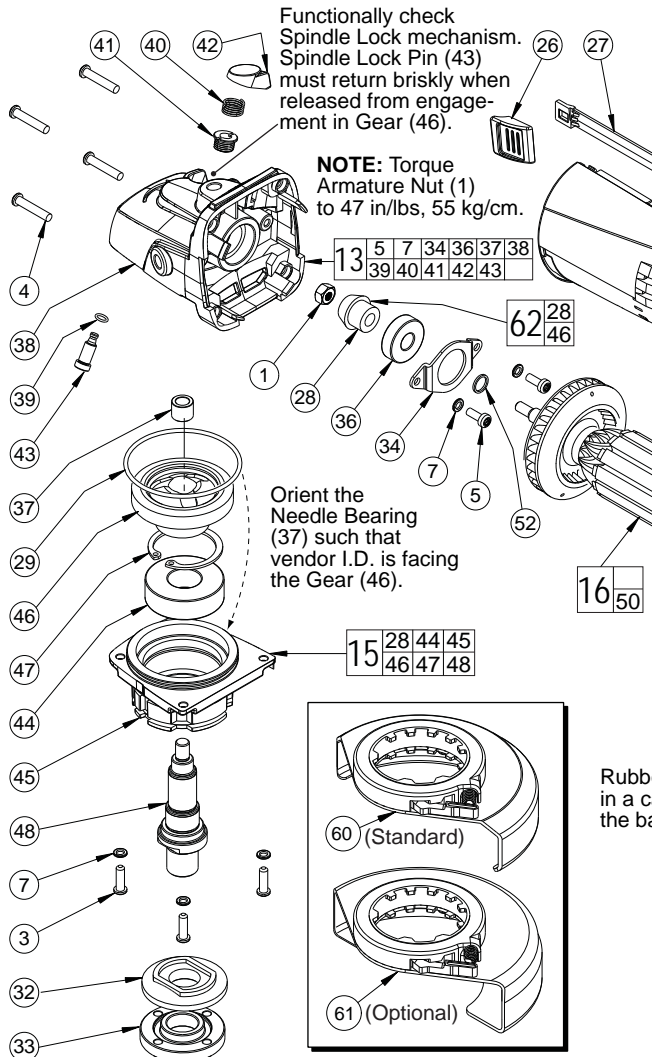
# SERVICE PARTS LIST

**BULLETIN NO.**  
54-38-1722

SPECIFY CATALOG NO. AND SERIAL NO. WHEN ORDERING PARTS		REVISED BULLETIN	DATE
<b>4.5"/5" ANGLE GRINDER with SLIDE SWITCH</b>		54-38-1721	Nov. 2010
CATALOG NO. <b>6116-33</b>		WIRING INSTRUCTION <b>See Page 3</b>	
STARTING SERIAL NUMBER	<b>B64C</b>		

★ = Part number change from previous service parts list.

FIG.	PART NO.	DESCRIPTION OF PART	NO. REQ.
1	05-55-0620	M5 Hex Nut	(1)
2	05-88-1100	M3 x 10 Pan Hd. Screw	(2)
3	05-88-1210	M4 x 14 Pan Hd. T-20 Screw	(4)
4	05-88-1255	M4 x 22 Pan Hd. T-20 Screw	(8)
5	05-88-1280	M4 x 10 Pan Hd. T-20 Screw	(2)
6	05-88-1290	M4 x 76 T-20 Screw	(2)
7	05-90-0225	M4 Lock Washer	(6)
9	10-15-1230	Warning Label	(1)

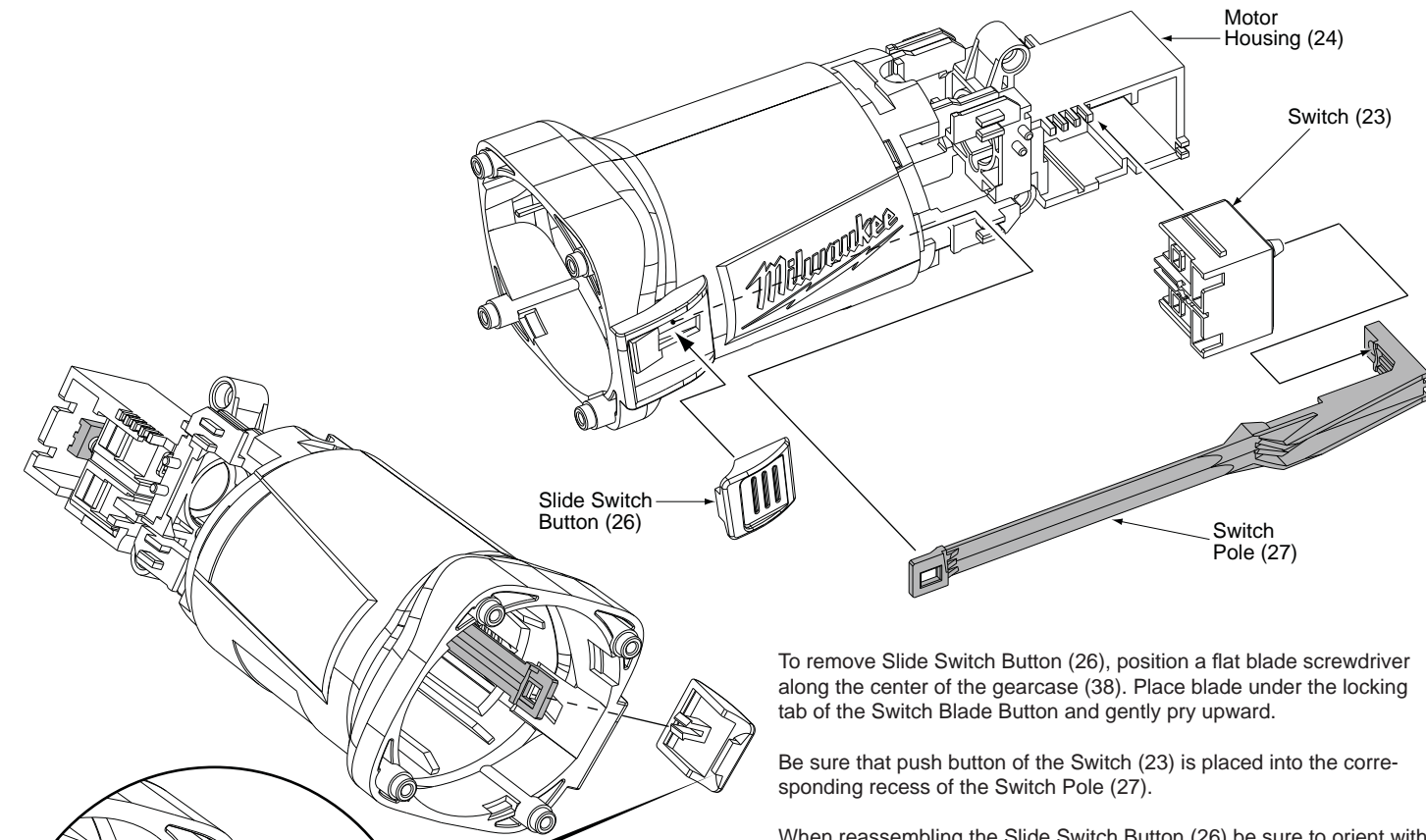


**SEE NEXT PAGE FOR ADDITIONAL SERVICE NOTES**

FIG.	PART NO.	DESCRIPTION OF PART	NO. REQ.
10	12-20-6116	Service Nameplate	(1)
13	14-29-0312	Gearcase Assembly	(1)
14	14-34-0720	Rear Handle Assembly	(1)
★ 15	14-73-0411	Spindle/Hub Assembly	(1)
16	16-10-7010	Service Armature Assembly	(1)
19	18-07-2305	Service Field	(1)
20	22-09-1735	Module Assembly	(1)
21	22-22-1560	Carbon Brush Assembly	(1)
22	22-64-2020	Cord	(1)
23	23-66-2665	Switch	(1)
24	31-50-3370	Motor Housing	(1)
25	31-53-0240	Rubber Slug	(1)
26	31-92-0430	Slide Switch Button	(1)
27	31-92-0470	Switch Pole	(1)
★ 28	-----	Bevel Pinion	(1)
29	34-40-0180	O-Ring	(1)
31	42-14-0490	Fan Baffle	(1)
32	43-34-0036	Inner Disk Flange	(1)
33	44-40-0035	Outer Flange Nut	(1)
34	44-66-0450	Bearing Retainer	(1)
35	44-76-0210	Strain Relief	(1)
36	02-04-0620	Ball Bearing	(1)
37	02-50-0025	Needle Bearing	(1)

FIG.	PART NO.	DESCRIPTION OF PART	NO. REQ.
38	-----	Gearcase	(1)
39	34-40-0450	O-Ring	(1)
40	40-50-1330	Compression Spring	(1)
41	42-42-0580	Spindle Lock Tube	(1)
42	42-42-0590	Spindle Lock Button	(1)
43	42-60-1660	Spindle Lock Pin	(1)
44	02-04-1150	Ball Bearing	(1)
45	28-53-0410	Lower Gearcase Hub	(1)
★ 46	-----	Bevel Gear	(1)
47	34-80-2275	Retaining Ring	(1)
48	38-50-1280	Spindle	(1)
50	23-27-0110	Magnetic Disc Assembly	(1)
51	02-04-2110	Ball Bearing	(1)
52	45-88-0406	Washer	(1)
60	43-54-1070	4.5" T27 Guard Assembly (Standard)	(1)
	43-54-1075	5" T27 Guard Assembly (Standard)	(1)
61	43-54-1090	4.5" T1 Guard Assembly (Optional)	(1)
	43-54-1095	5" T1 Guard Assembly (Optional)	(1)
★ 62	14-29-0025	Gear Set	(1)
	42-62-0100	Side Handle (Not Shown)	(1)
	49-96-7215	Spanner Wrench (Not Shown)	(1)

**FIG. LUBRICATION** (\*See lubrication note above):  
28,46 Type "Y" Grease, No. 49-08-5270, Must Be Applied To All Gear Teeth.  
29,38 Lightly coat with grease O-Ring and bearing bore in Gearcase.  
38 .3 - .4 Ounces (9-12 Grams) Type "Y" Grease, No. 49-08-5270.

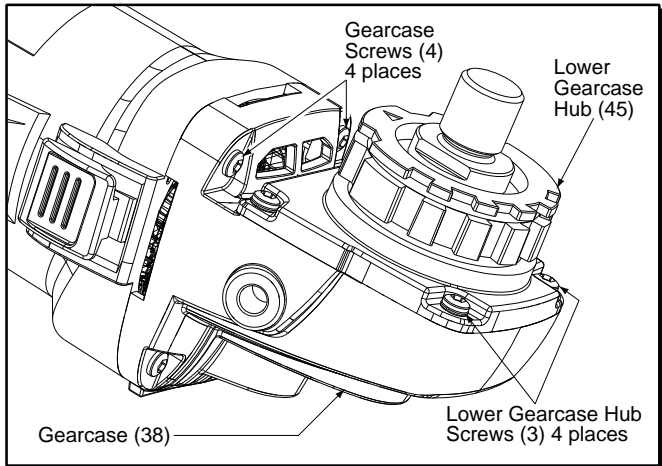
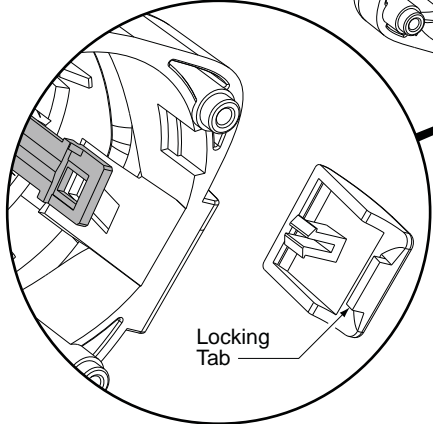


To remove Slide Switch Button (26), position a flat blade screwdriver along the center of the gearcase (38). Place blade under the locking tab of the Switch Blade Button and gently pry upward.

Be sure that push button of the Switch (23) is placed into the corresponding recess of the Switch Pole (27).

When reassembling the Slide Switch Button (26) be sure to orient with the locking tab as shown, towards the gearcase (38).

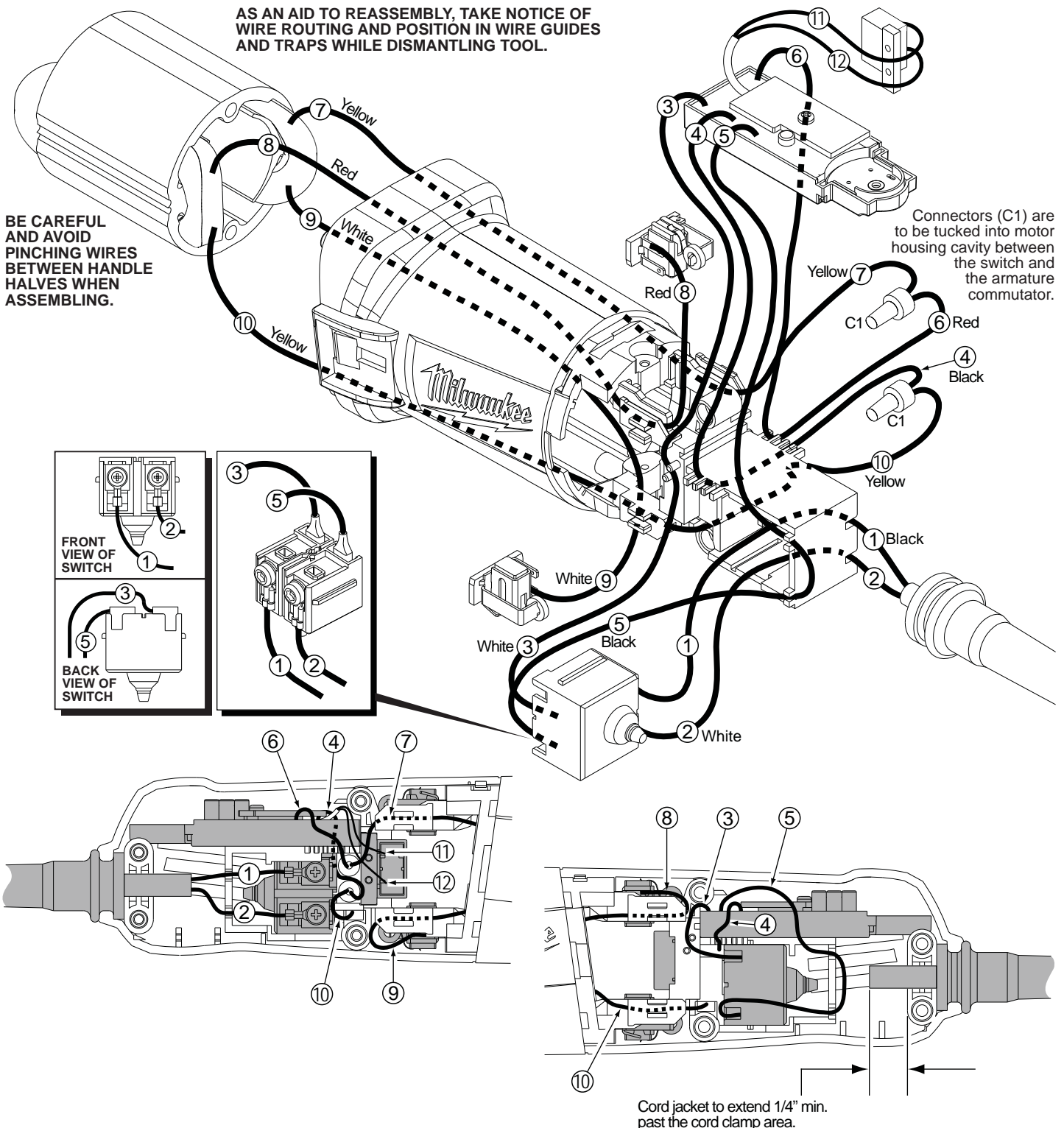
When servicing the Motor Housing (24) or the Switch Pole (27) it is recommended to snap the Slide Switch Button (26) into the Switch Pole, as shown prior to installing the Field (19).



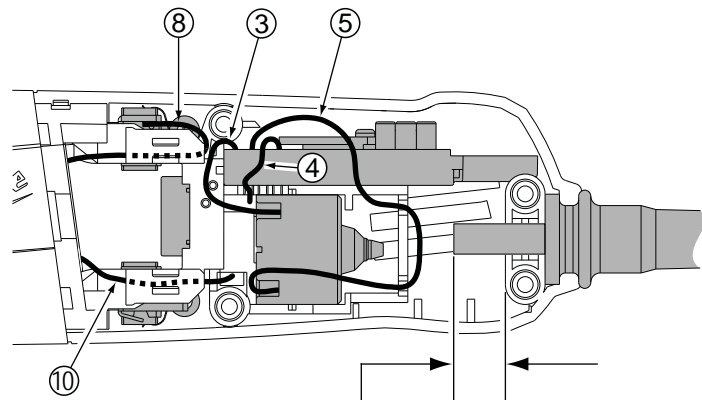
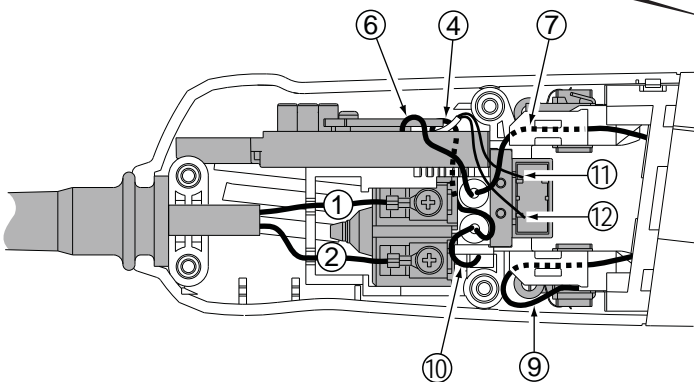
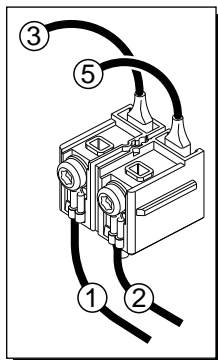
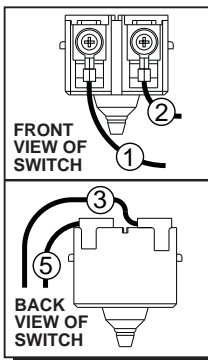
When servicing the Gearcase (38), first remove the four Screws (3) and Lower Gearcase Hub (45) to prevent damage to the bottom two Screws (4) that secure the Gearcase.

AS AN AID TO REASSEMBLY, TAKE NOTICE OF WIRE ROUTING AND POSITION IN WIRE GUIDES AND TRAPS WHILE DISMANTLING TOOL.

BE CAREFUL AND AVOID PINCHING WIRES BETWEEN HANDLE HALVES WHEN ASSEMBLING.



Connectors (C1) are to be tucked into motor housing cavity between the switch and the armature commutator.



Cord jacket to extend 1/4" min. past the cord clamp area.

**WIRING SPECIFICATIONS**

Wire No.	Wire Color	Origin or Part No.	Gauge	Length	Terminals, Connectors and End Wire Preparation
1	Black	22-64-2020	--	--	Component of Cord Set.
2	White	22-64-2020	--	--	Component of Cord Set.
3	White	22-09-1725	--	--	Component of PC Board.
4	Black	22-09-1725	--	--	Component of PC Board.
5	Black	22-09-1725	--	--	Component of PC Board.
6	Red	22-09-1725	--	--	Component of PC Board.
7	Yellow	18-07-2305	--	--	Component of Service Field.
8	Red	18-07-2305	--	--	Component of Service Field.
9	White	18-07-2305	--	--	Component of Service Field.
10	Yellow	18-07-2305	--	--	Component of Service Field.
11	White	22-09-1725	--	--	Component of PC Board.
12	White	22-09-1725	--	--	Component of PC Board.

BULK LEAD WIRE - BULLETIN 58-01-0003

**NOTE:**

All leads must be held to  $\pm 1/16"$ .  
All lead lengths are before stripping.

TERMINAL DESCRIPTION		
Code	Part No.	Qty.
CONNECTOR DESCRIPTION		
C1	22-56-0150	2