



SERVICE PARTS LIST

**BULLETIN NO.
54-38-3550**

SPECIFY CATALOG NO. AND SERIAL NO. WHEN ORDERING PARTS		REVISED BULLETIN	DATE
4-1/2" D.I. SANDER-GRINDER			Nov. '90
CATALOG NO. 6140	STARTING SERIAL NO. 762-1001	WIRING INSTRUCTION 58-01-0306	

EXAMPLE:

00 | 0
Component Parts (Small #) Are Included
When Ordering The Assembly (Large #).

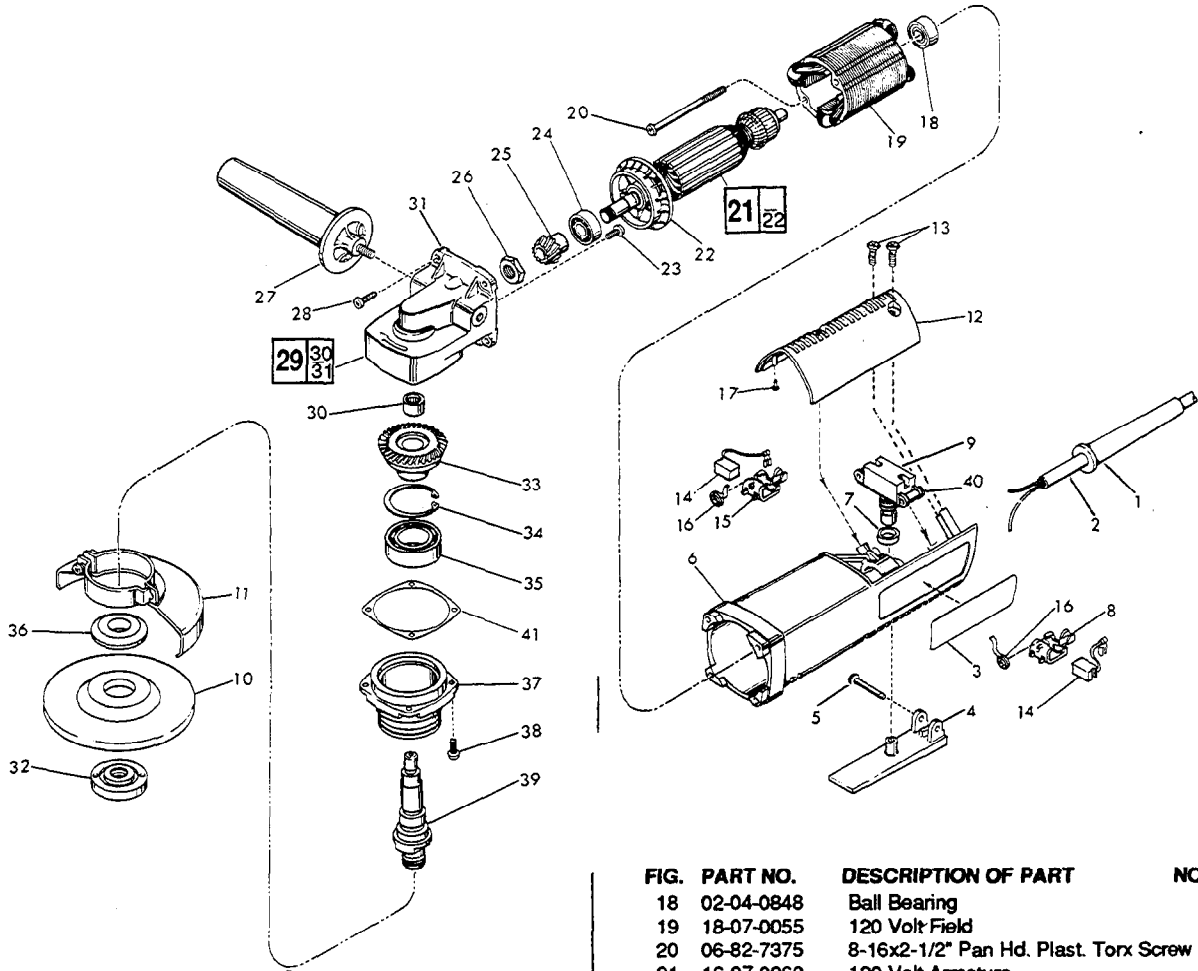


FIG. PART NO.	DESCRIPTION OF PART	NO. REQ.
1	44-76-0130 Cord Protector	(1)
2	22-64-0215 Cord Set	(1)
3	12-65-4128 Service Nameplate	(1)
4	31-92-0110 Trigger	(1)
5	06-72-0815 .146 Dia. x 1-3/8" Rivet	(1)
6	31-50-0425 Motor Housing	(1)
7	44-90-4245 Rubber Ring	(1)
8	22-20-0691 Left Brush Holder	(1)
9	23-66-1170 Switch	(1)
10	4-1/2" Disc-Select from Catalog	(1)
11	49-12-0320 Wheel Guard Assembly	(1)
12	31-15-0142 Cover	(1)
13	06-82-7270 8-16x5/8" Pan Hd. Stt. Plast. Torx Screw	(3)
14	22-18-0710 Carbon Brush	(2)
15	22-20-0692 Right Brush Holder	(1)
16	23-52-0240 Brush Spring	(2)
17	42-38-0181 Rubber Bumper	(2)

FIG. PART NO.	DESCRIPTION OF PART	NO. REQ.
18	02-04-0848 Ball Bearing	(1)
19	18-07-0055 120 Volt Field	(1)
20	06-82-7375 8-16x2-1/2" Pan Hd. Plast. Torx Screw	(2)
21	16-07-0060 120 Volt Armature	(1)
22	22-84-0680 Fan	(1)
23	06-82-7252 8-32x3/8" Pan Hd. Stt. Plast. Torx Screw	(2)
24	02-04-1020 Ball Bearing	(1)
25	32-60-2180 Pinion	(1)
26	06-57-5006 1/4-28 Hex Lock Nut	(1)
27	49-15-0251 Side Handle	(1)
28	06-82-7270 8-16x5/8" Pan Hd. Stt. Plast. Torx Screw	(4)
29	14-30-0300 Gear Case Assembly	(1)
30	02-50-2423 Needle Bearing	(1)
31	28-14-1421 Gear Case	(1)
32	49-05-0051 Flange Nut	(1)
33	32-05-1186 Spiral Bevel Gear	(1)
34	34-80-2960 Retaining Ring-Internal	(1)
35	02-04-1746 Ball Bearing	(1)
36	49-05-0040 Flange	(1)
37	28-53-0220 Spindle Hub	(1)
38	06-82-5316 8-32x1/2" Pan Hd. Stt. Taptite Torx Screw	(4)
39	38-50-5202 Spindle	(1)
40	06-95-0125 Switch Terminal Screw	(2)
41	45-14-0160 Shim	(0-3)
	49-96-4078 3/4" Wrench	(1)
	49-96-7200 Spanner Wrench	(1)

FIG. LUBRICATION

31 1/4 Oz. "O" Grease No. 49-08-4200.

MILWAUKEE ELECTRIC TOOL CORPORATION
13135 W. LISBON RD., BROOKFIELD, WI 53005