



# SERVICE PARTS LIST

**BULLETIN NO.**  
**54-38-0256**

SPECIFY CATALOG NO. AND SERIAL NO. WHEN ORDERING PARTS		REVISED BULLETIN	DATE
<b>5" D.I. SANDER-GRINDER</b>		54-38-0255	Sept. '93
CATALOG NO. <b>6141</b>	STARTING SERIAL NO. <b>763-31251</b>	WIRING INSTRUCTION <b>58-01-0309</b>	

**EXAMPLE:**

**00** Component Parts (Small #) Are Included  
**0** When Ordering The Assembly (Large #).

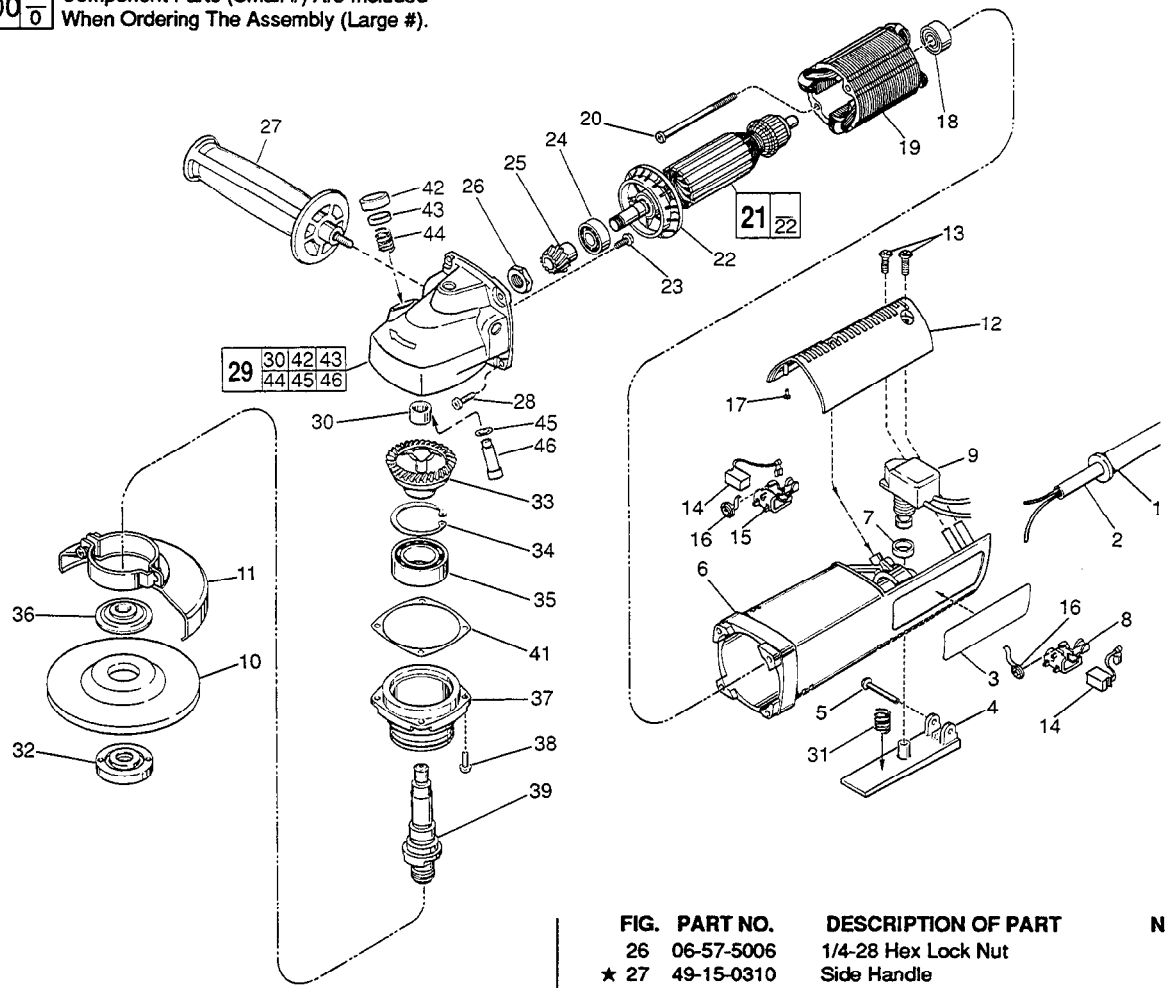


FIG.	PART NO.	DESCRIPTION OF PART	NO. REQ.
1	44-76-0130	Cord Protector	(1)
2	22-64-0215	Cord Set	(1)
3	12-65-4128	Service Nameplate	(1)
★ 4	31-92-0112	Trigger	(1)
5	06-72-0815	.146 Dia. x 1-3/8" Rivet	(1)
6	31-50-0425	Motor Housing	(1)
7	44-90-4245	Rubber Ring	(1)
8	22-20-0691	Left Brush Holder	(1)
9	23-66-2170	Switch	(1)
10		5" Disc-Select from Catalog	(1)
11	49-12-0330	Wheel Guard Assembly	(1)
12	31-15-0142	Cover	(1)
13	06-82-7270	8-16x5/8" Pan Hd. Slit. Plast. T-20	(3)
14	22-18-0710	Carbon Brush	(2)
15	22-20-0692	Right Brush Holder	(1)
16	23-52-0240	Brush Spring	(2)
17	42-38-0181	Rubber Bumper	(2)
18	02-04-0848	Ball Bearing	(1)
19	18-07-0055	120 Volt Field	(1)
20	06-82-7375	8-16x2-1/2" Pan Hd. Plast. T-20	(2)
21	16-07-0060	120 Volt Armature	(1)
22	22-84-0680	Fan	(1)
23	06-82-2292	8-32x3/8" Pan Hd. Slit. Taptite T-20	(2)
24	02-04-1020	Ball Bearing	(1)
25	32-60-1300	Pinion	(1)

FIG.	PART NO.	DESCRIPTION OF PART	NO. REQ.	
	26	06-57-5006	1/4-28 Hex Lock Nut	(1)
★	27	49-15-0310	Side Handle	(1)
	28	06-82-7270	8-16x5/8" Pan Hd. Slit. Plast. T-20	(4)
★	29	14-30-0301	Gear Case Assembly	(1)
	30	02-50-2423	Needle Bearing	(1)
★	31	40-50-1300	Coil Spring	(1)
	32	49-05-0051	Flange Nut	(1)
★	33	32-05-2230	Spiral Bevel Gear	(1)
	34	34-80-2960	Retaining Ring-Internal	(1)
	35	02-04-1746	Ball Bearing	(1)
	36	49-05-0070	Flange	(1)
	37	28-53-0220	Spindle Hub	(1)
	38	06-82-5316	8-32x1/2" Pan Hd. Slit. Taptite T-20	(4)
	39	38-50-5202	Spindle	(1)
	41	45-14-0160	Shim	(0-3)
★	42	31-12-0265	Cap	(1)
★	43	42-42-0075	Lock Button	(1)
★	44	40-50-1300	Coil Spring	(1)
★	45	34-40-4300	O-Ring	(1)
★	46	44-60-1370	Lock Pin	(1)
		49-96-7201	Spanner Wrench	(1)

**FIG. LUBRICATION**  
29 1/4 Oz. "O" Grease, No. 49-08-4200.  
**FIG. NOTES:**  
26 Torque To 60 In./Lbs.

**MILWAUKEE ELECTRIC TOOL CORPORATION**  
13135 W. LISBON RD., BROOKFIELD, WI 53005