



# SERVICE PARTS LIST

**BULLETIN NO.**  
54-38-3501

SPECIFY CATALOG NO. AND SERIAL NO. WHEN ORDERING PARTS		REVISED BULLETIN 54-48-3500	DATE May '83
4-1/2" D.I. SANDER-GRINDER		WIRING INSTRUCTION 58-01-0308	
CATALOG NO. 6145	STARTING SERIAL NO. 627-86000		
CAT. NO. 6145-7	START SER. NO. 627-01001	BILINGUAL LABEL 10-98-6081	

FOR CAT. NO. 6145-2 (240) TOOL USE:  
16-04-0040 ARMATURE  
18-06-0010 FIELD  
22-64-0235 CORD SET

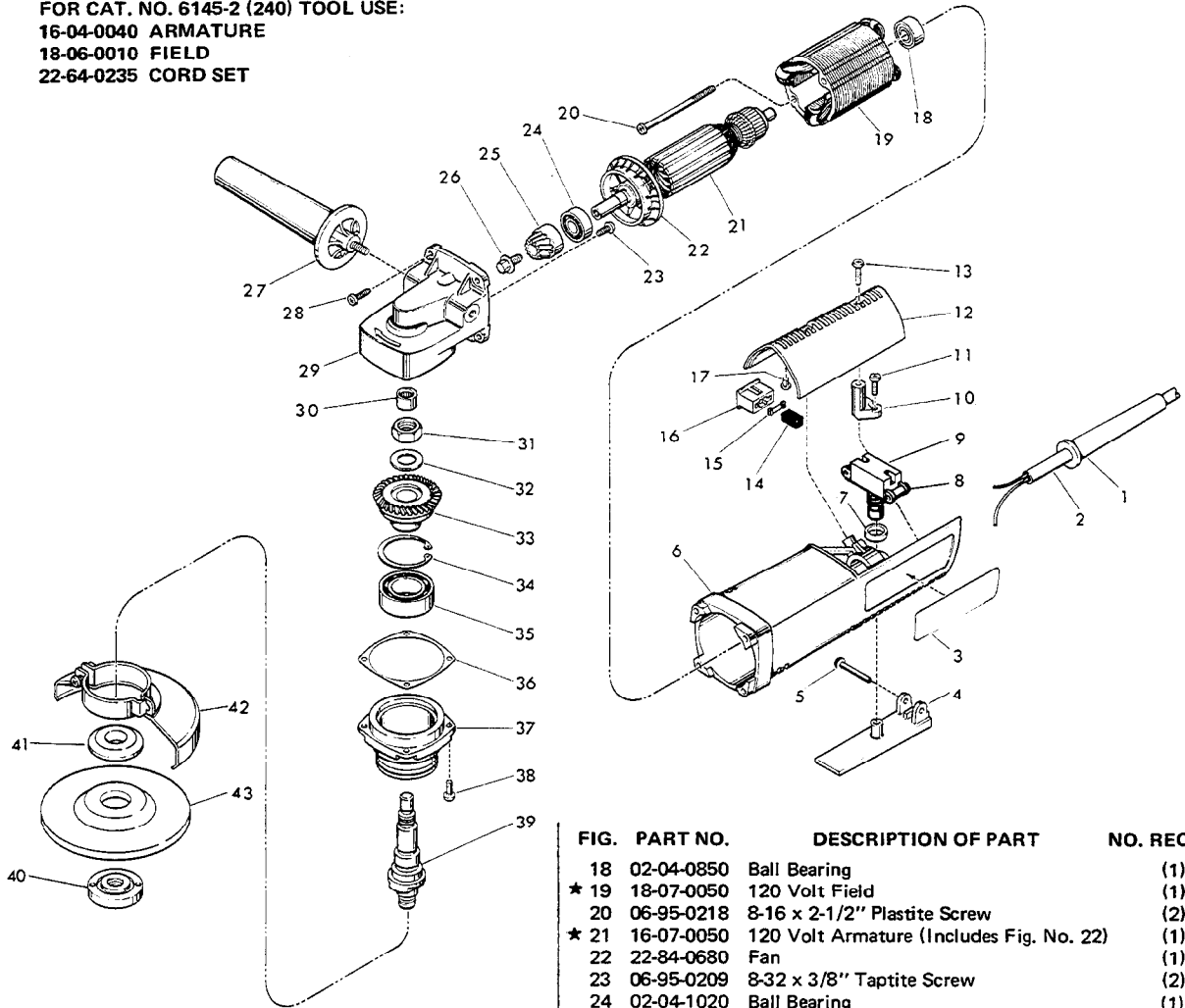


FIG.	PART NO.	DESCRIPTION OF PART	NO. REQ.
	1	44-76-0110 Cord Protector	(1)
	2	22-64-0215 Cord Set	(1)
	3	12-65-4120 Service Nameplate	(1)
		12-65-4106 Service Nameplate (Canada)	
	4	31-92-0110 Trigger	(1)
	5	06-72-0810 .146 Dia. x 1-3/32" Rivet	(1)
★	6	31-50-0420 Motor Housing	(1)
★	7	44-90-4245 Rubber Ring	(1)
	8	06-95-0125 Switch Terminal Screw	(2)
	9	23-66-1170 Switch	(1)
	10	31-17-0120 Cord Clamp	(1)
	11	06-95-0216 8-16 x 5/8" Plastite Screw	(2)
	12	31-15-0140 Cover	(1)
		31-15-0290 Cover (Canada)	
	13	06-95-0216 8-16 x 5/8" Plastite Screw	(2)
	14	22-16-0275 Carbon Brush	(2)
	15	23-52-0190 Brush Spring	(2)
	16	22-20-0450 Brush Holder	(2)
	17	42-38-0180 Rubber Bumper	(2)

FIG.	PART NO.	DESCRIPTION OF PART	NO. REQ.
	18	02-04-0850 Ball Bearing	(1)
★	19	18-07-0050 120 Volt Field	(1)
	20	06-95-0218 8-16 x 2-1/2" Plastite Screw	(2)
★	21	16-07-0050 120 Volt Armature (Includes Fig. No. 22)	(1)
	22	22-84-0680 Fan	(1)
	23	06-95-0209 8-32 x 3/8" Taptite Screw	(2)
	24	02-04-1020 Ball Bearing	(1)
	25	36-66-4215 Pinion Assembly	(1)
	26	06-75-0074 1/4-20x3/8" Hex Washer Hd Screw	(1)
	27	49-15-0250 Side Handle	(1)
	28	06-95-0216 8-16x5/8" Plastite Screw	(4)
	29	14-30-0300 Gear Case Assembly (Includes Fig. No. 30)	(1)
	30	02-50-2423 Needle Bearing	(1)
	31	06-55-2850 1/2-13 Hex Nut	(1)
	32	45-88-7520 Washer	(1)
	33	32-05-1180 Spiral Bevel Gear	(1)
	34	34-80-2960 Retaining Ring-Internal	(1)
	35	02-04-1746 Ball Bearing	(1)
	36	45-14-0160 Shim (0 to 3 as Required)	(1)
	37	28-53-0220 Spindle Hub	(1)
★	38	06-95-0700 8-32 x 1/2" Pan Hd. Taptite Screw	(4)
	39	38-50-5200 Spindle	(1)
	40	49-05-0050 Flange Nut	(1)
	41	49-05-0040 Flange	(1)
	42	49-12-0320 Wheel Guard Assembly	(1)
	43	- 4-1/2" Disc - Select From Catalog	(1)
		49-96-4078 3/4" Wrench (Not Shown)	(1)
		49-96-7200 Spanner Wrench (Not Shown)	(1)