



SERVICE PARTS LIST

BULLETIN NO.
54-38-3507

SPECIFY CATALOG NO. AND SERIAL NO. WHEN ORDERING PARTS		REVISED BULLETIN	DATE
4-1/2" D.I. SANDER-GRINDER		54-38-3506	Feb.'94
CATALOG NO. 6145	STARTING SERIAL NO. 627A	WIRING INSTRUCTION 58-01-0309	

EXAMPLE:

00 0

Component Parts (Small #) Are Included
When Ordering The Assembly (Large #).

For Cat. No. 6145-2 (240 V) Tool Use:

- 16-06-0060 Armature
- 18-06-0055 Field
- 22-64-0235 Cord Set
- 22-18-0750 Carbon Brush

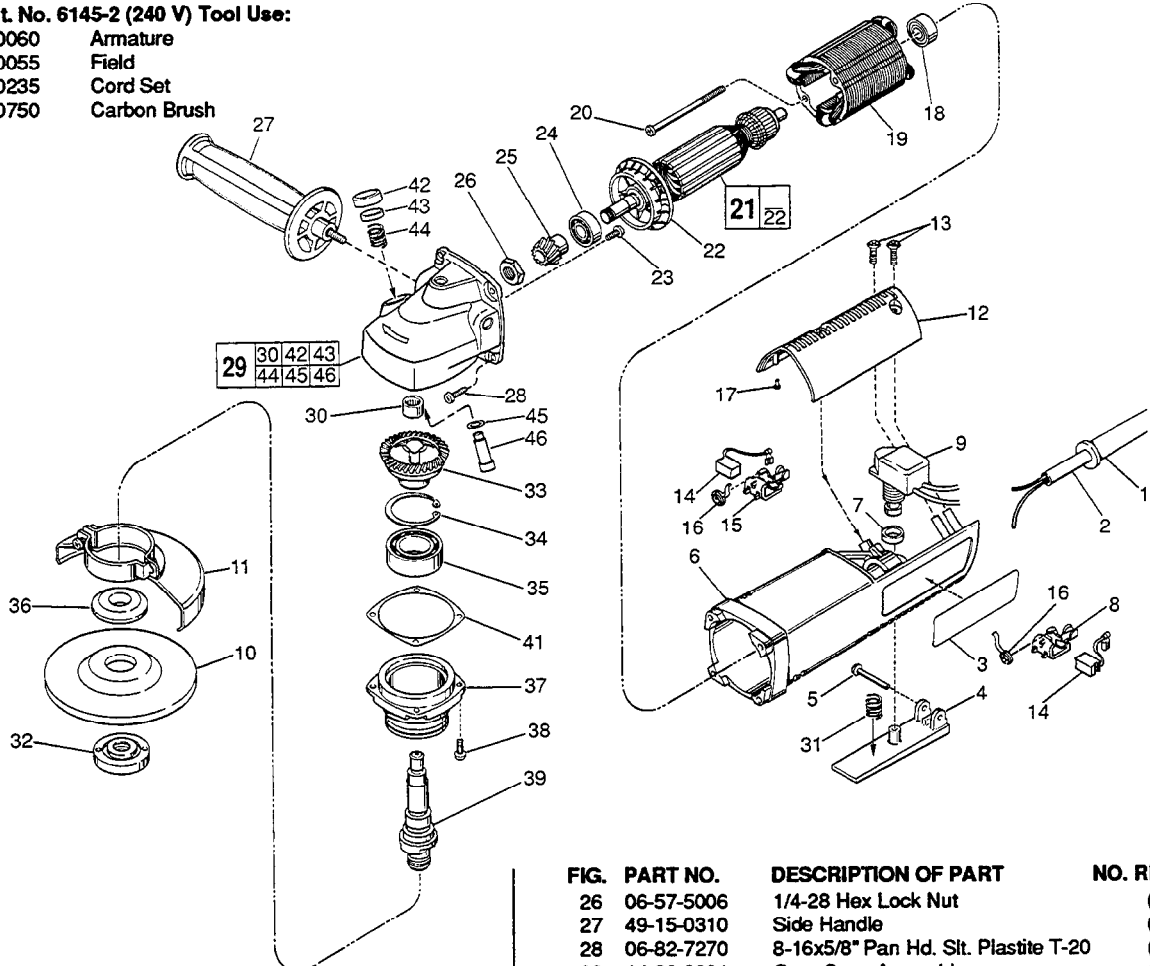


FIG.	PART NO.	DESCRIPTION OF PART	NO.	REQ.
	1	44-76-0130 Cord Protector	(1)	
	2	22-64-0215 Cord Set	(1)	
★	3	12-20-0470 Service Nameplate Kit	(1)	
	4	31-92-0112 Trigger	(1)	
	5	06-72-0815 .146 Dia. x 1-3/8" Rivet	(1)	
	6	31-50-0425 Motor Housing	(1)	
	7	44-90-4245 Rubber Ring	(1)	
	8	22-20-0691 Left Brush Holder	(1)	
	9	23-66-2170 Switch	(1)	
	10	4-1/2" Disc-Select from Catalog	(1)	
	11	49-12-0320 Wheel Guard Assembly	(1)	
★	12	31-15-0143 Cover	(1)	
	13	06-82-7270 8-16x5/8" Pan Hd. Slit. Plastite T-20	(3)	
	14	22-18-0710 Carbon Brush	(2)	
	15	22-20-0692 Right Brush Holder	(1)	
	16	23-52-0240 Brush Spring	(2)	
	17	42-38-0181 Rubber Bumper	(2)	
	18	02-04-0848 Ball Bearing	(1)	
	19	18-07-0055 120 Volt Field	(1)	
	20	06-82-7375 8-16x2-1/2" Pan Hd. Plastite T-20	(2)	
	21	16-07-0060 120 Volt Armature	(1)	
	22	22-84-0680 Fan	(1)	
	23	06-82-2292 8-32x3/8" Pan Hd. Slit. Taptite T-20	(2)	
	24	02-04-1020 Ball Bearing	(1)	
	25	32-60-1300 Pinion	(1)	

FIG.	PART NO.	DESCRIPTION OF PART	NO.	REQ.
	26	06-57-5006 1/4-28 Hex Lock Nut	(1)	
	27	49-15-0310 Side Handle	(1)	
	28	06-82-7270 8-16x5/8" Pan Hd. Slit. Plastite T-20	(4)	
	29	14-30-0301 Gear Case Assembly	(1)	
	30	02-50-2423 Needle Bearing	(1)	
	31	40-50-1300 Coil Spring	(1)	
	32	49-05-0050 Flange Nut	(1)	
	33	32-05-2230 Spiral Bevel Gear	(1)	
	34	34-80-2960 Retaining Ring-Internal	(1)	
	35	02-04-1746 Ball Bearing	(1)	
	36	49-05-0040 Flange	(1)	
	37	28-53-0220 Spindle Hub	(1)	
	38	06-82-5316 8-32x1/2" Pan Hd. Slit. Taptite T-20	(4)	
	39	38-50-5201 Spindle	(1)	
	41	45-14-0160 Shim	(0-3)	
	42	31-12-0265 Cap	(1)	
	43	42-42-0075 Lock Button	(1)	
	44	40-50-1300 Coil Spring	(1)	
	45	34-40-4300 O-Ring	(1)	
	46	44-60-1370 Lock Pin	(1)	
		49-96-7201 Spanner Wrench	(1)	

- FIG. LUBRICATION**
29 1/4 Oz. "O" Grease, No. 49-08-4200.
- FIG. NOTES:**
26 Torque To 60 In./Lbs.

MILWAUKEE ELECTRIC TOOL CORPORATION
13135 W. LISBON RD., BROOKFIELD, WI 53005