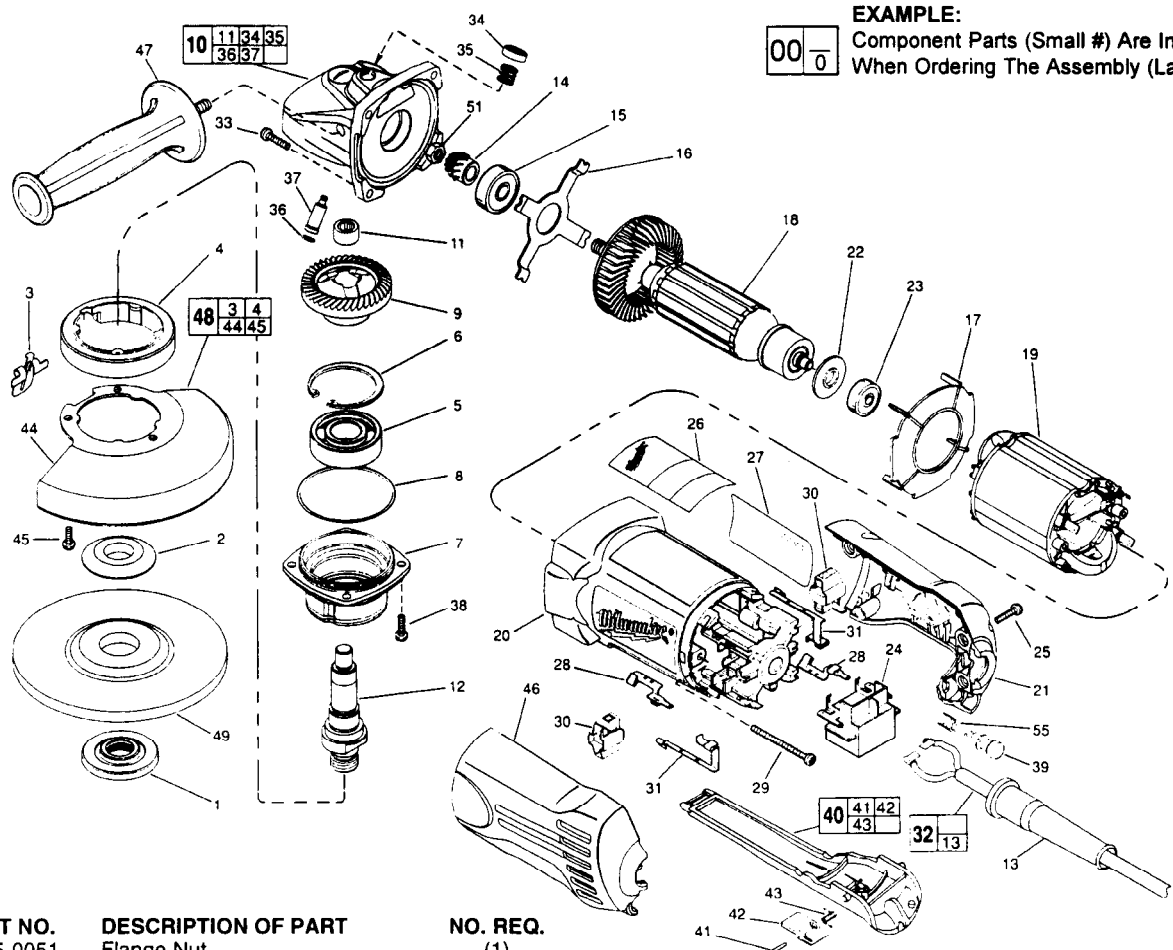




SERVICE PARTS LIST

BULLETIN NO.
54-38-0077

SPECIFY CATALOG NO. AND SERIAL NO. WHEN ORDERING PARTS		REVISED BULLETIN 54-38-0076	DATE Aug. '98
4-1/2" ANGLE GRINDER		WIRING INSTRUCTION	
CATALOG NO. 6148	STARTING SERIAL NUMBER	856C	



EXAMPLE:

00	0
----	---

 Component Parts (Small #) Are Included
 When Ordering The Assembly (Large #).

FIG.	PART NO.	DESCRIPTION OF PART	NO. REQ.
	1	49-05-0051 Flange Nut	(1)
	2	49-05-0040 Flange	(1)
	3	44-20-0325 Lock Lever	(1)
★	4	45-36-1551 Spacer	(1)
	5	02-04-1746 Ball Bearing	(1)
	6	34-80-2960 Retaining Ring - Internal	(1)
★	7	28-52-0221 Spindle Hub	(1)
	8	34-40-4400 O-Ring	(1)
	9	32-05-1310 P.M. Gear	(1)
	10	25-14-2350 Gear Case Assembly	(1)
	11	02-50-2423 Needle Bearing	(1)
	12	38-50-5202 Spindle	(1)
	13	44-76-0210 Cord Protector	(1)
	14	32-60-1310 Pinion Gear	(1)
	15	02-04-2075 Ball Bearing	(1)
	16	44-66-5345 Bearing Retainer Plate	(1)
	17	42-14-0400 Baffle	(1)
	18	16-07-0126 Armature	(1)
	19	18-07-0125 Field	(1)
	20	31-50-1100 Motor Housing	(1)
	21	31-15-0450 Right Cover	(1)
★	22	23-16-0916 Commutator Insulator	(1)
	23	02-04-2080 Ball Bearing	(1)
★	24	23-66-2401 Switch	(1)
	25	06-82-7271 6-19 x 7/8" Pan Hd. Plastite T-15	(4)
	26	12-20-1100 Service Nameplate Kit	(1)
	27	10-98-7090 Warning Label	(1)
★	28	23-74-1206 Brush Terminal	(2)
	29	06-82-7420 6-19 x 2-3/4" Pan Hd. Slit. Plast. T-15	(2)
	30	22-20-0555 Brush Holder Assy. (Incl. Carbon Brush)	(2)
★	31	23-74-1201 Switch Terminal	(2)
	32	22-64-0840 Cord Set Assembly	(1)
	33	06-82-7326 8-16 x 1" Pan Hd. Slit. Plast. T-20	(4)
	34	31-12-0205 Cap	(1)

FIG.	PART NO.	DESCRIPTION OF PART	NO. REQ.
	35	40-50-8650 Compression Spring	(1)
	36	34-40-4300 O-Ring	(1)
	37	44-60-0845 Lock Pin	(1)
	38	06-82-5316 8-32 x 1/2" Pan Hd. Slit. Tapt. T-20	(4)
	39	42-42-0395 Lock-On Button	(1)
	40	31-92-0320 Paddle Assembly	(1)
	41	06-65-1915 Pin	(1)
	42	42-42-0390 Lock-Off Button	(1)
	43	40-50-8750 Torsion Spring	(1)
	44	42-92-0950 Hood	(1)
	45	06-82-7251 8-16 x 3/8" Pan Hd. Slit. Plast. T-20	(3)
	46	31-15-0455 Left Cover	(1)
	47	49-15-0310 Side Handle	(1)
	48	28-41-0975 Guard Assembly	(1)
	49	----- 4-1/2" Disc - Select From Catalog	(1)
★	51	06-55-3850 10-32 Hex Nut	(1)
	55	40-50-0921 Compression Spring	(1)
		49-96-7201 Spanner Wrench	(1)

FIG. LUBRICATION:
 9,14 Type "O" Grease, No. 49-08-4200, Must Be Applied To All Gear Teeth.
 10 18-21 Grams Type "O" Grease, No. 49-08-4200.

FIG. NOTES:
 5 Seal To Face External Environment.
 11 Press .09" Below Casting Surface.
 32 Tuck All Cord Leads Away From Vent Openings.