



# SERVICE PARTS LIST

**BULLETIN NO.**  
**54-38-3726**

<b>SPECIFY CATALOG NO. AND SERIAL NO. WHEN ORDERING PARTS</b>		REVISED BULLETIN 54-38-3725	DATE Nov. 2000
<b>4-1/2" DIAL SPEED SUPER MAG GRINDER</b>		WIRING INSTRUCTION See Below	
<b>CATALOG NO. 6154-20</b>	STARTING SERIAL NUMBER <b>907B</b>		

EXAMPLE: 

00	0
----	---

  
Component Parts (Small #)  
Are Included When Ordering  
The Assembly (Large #).

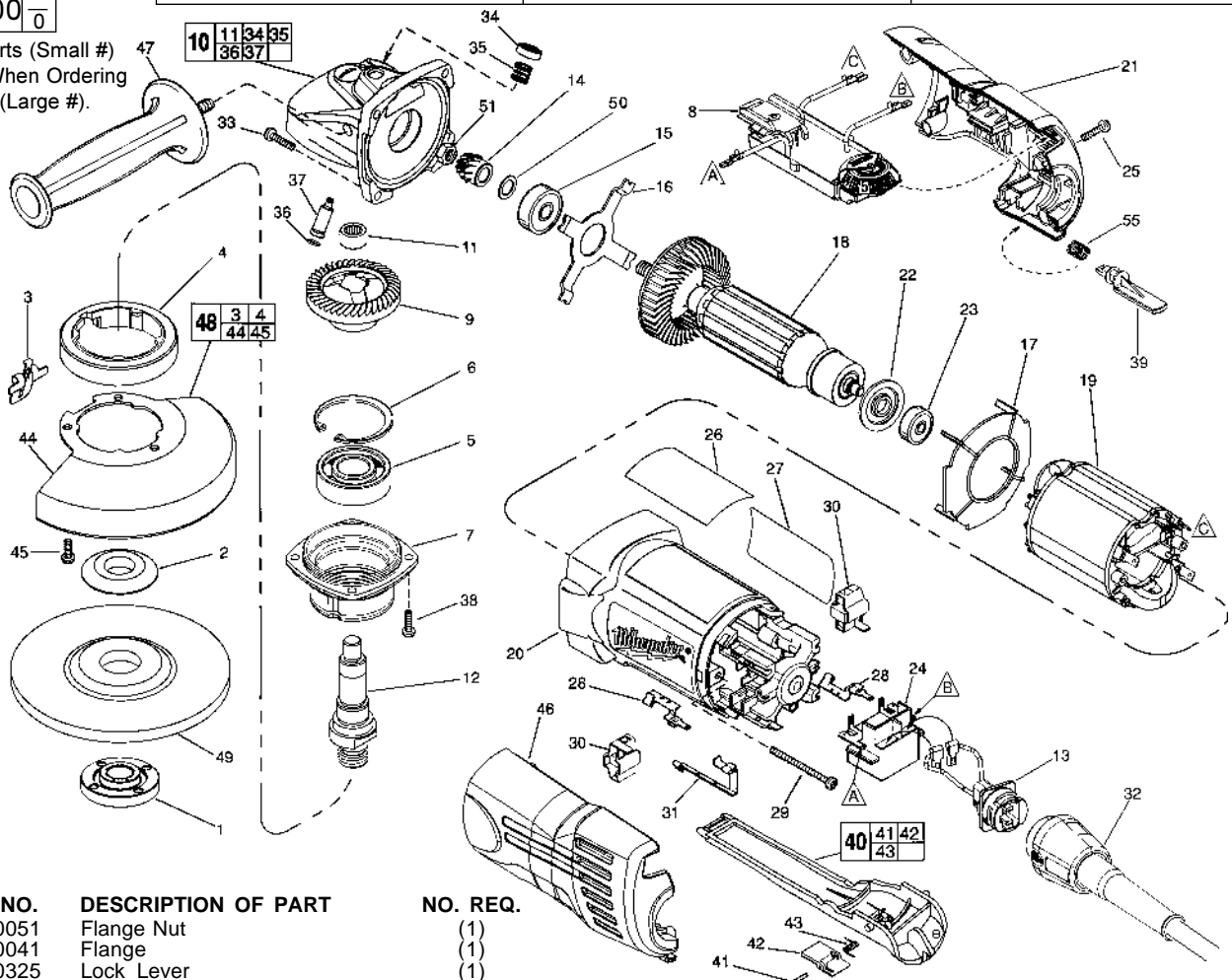


FIG.	PART NO.	DESCRIPTION OF PART	NO. REQ.
	1	49-05-0051 Flange Nut	(1)
	2	49-05-0041 Flange	(1)
	3	44-20-0325 Lock Lever	(1)
	4	45-36-1551 Spacer	(1)
	5	02-04-1745 Ball Bearing	(1)
	6	34-80-2960 Retaining Ring - Internal	(1)
	7	28-52-0222 Spindle Hub	(1)
	8	14-20-0910 Module Assembly	(1)
	9	32-05-1310 P.M. Gear	(1)
*	10	25-14-2351 Gear Case Assembly	(1)
	11	02-50-2423 Needle Bearing	(1)
	12	38-50-5202 Spindle	(1)
	13	22-56-0890 Blade Housing Assembly	(1)
	14	32-60-1310 Pinion Gear	(1)
*	15	02-04-0852 Ball Bearing	(1)
	16	44-66-5345 Bearing Retainer Plate	(1)
	17	42-14-0400 Baffle	(1)
	18	16-10-2005 Armature	(1)
	19	18-10-2005 Field	(1)
	20	31-50-1100 Motor Housing	(1)
	21	31-44-0660 Right Cover	(1)
	22	23-16-0100 Commutator Insulator	(1)
	23	02-04-2080 Ball Bearing	(1)
	24	23-66-2401 Switch	(1)
	25	06-82-7271 6-19 x 7/8" Pan Hd. Plastite T-15	(4)
	26	12-20-6207 Service Nameplate Kit	(1)
	27	10-98-7091 Warning Label	(1)
	28	23-74-1206 Brush Terminal	(2)
	29	06-82-7421 6-19 x 3-1/4" Pan Hd. St. Plast. T-15	(2)
	30	22-20-0920 Brush Holder Assy. (Incl. Carbon Brush)	(2)
	31	23-74-1201 Switch Terminal	(1)
	32	48-76-5010 Quik-Lok Cord Set	(1)
	33	06-82-7326 8-16 x 1" Pan Hd. St. Plast. T-20	(4)
	34	31-12-0205 Cap	(1)
	35	40-50-8650 Compression Spring	(1)
	36	34-40-4300 O-Ring	(1)
	37	44-60-0845 Lock Pin	(1)
	38	06-82-5316 8-32 x 1/2" Pan Hd. St. Tapt. T-20	(4)
	39	42-42-0030 Lock On Button	(1)
	40	31-92-0320 Paddle Assembly	(1)

FIG.	PART NO.	DESCRIPTION OF PART	NO. REQ.
	41	06-65-1915 Pin	(1)
	42	42-42-0390 Lock-Off Button	(1)
	43	40-50-8750 Torsion Spring	(1)
	44	28-41-1020 Hood	(1)
	45	06-82-7251 8-16 x 3/8" Pan Hd. St. Plast. T-20	(3)
	46	31-44-0665 Left Cover	(1)
	47	49-15-0310 Side Handle	(1)
	48	49-12-0365 Guard Assembly	(1)
	49	----- 4-1/2" Disc - Select From Catalog	(1)
*	50	45-14-0280 Pinion Shim	(1)
	51	06-55-3850 10-32 Hex Nut	(1)
	55	40-50-0921 Lock On Spring	(1)
		49-96-7205 Spanner Wrench	(1)

**FIG. LUBRICATION:**  
9,14 Type "Y" Grease, No. 49-08-5270, Must Be Applied To All Gear Teeth.  
10 9-12 Grams Type "Y" Grease, No. 49-08-5270.

**FIG. NOTES:**  
7 Position The Spindle Hub With The Side That Has The Word "Back" Orientated Toward The Rear Of The Tool.  
8 Connect Terminals Flagged "A" & "B" On Module Assembly To The Corresponding Terminals Flagged "A" & "B" On The Switch. Connect The Terminal Flagged "C" On The Module To The Terminal Flagged "C" On The Field.  
11 Press .09" Below Casting Surface With Lettering Readable After Assembly.  
13 Blade Hsg. Leads Are Interchangeable On Switch Connections. Torque To 25-35 In./Lbs.