



# SERVICE PARTS LIST

**BULLETIN NO.**  
**55-38-1326**

SPECIFY CATALOG NO. AND SERIAL NO. WHEN ORDERING PARTS		REVISED BULLETIN	DATE
125mm SUPER MAG GRINDER		55-38-1325	Jan. 2002
CATALOG NO. 6155-50	STARTING SERIAL NUMBER	WIRING INSTRUCTION	
	949B		

EXAMPLE: 

00	0
----	---

  
Component Parts (Small #)  
Are Included When Ordering  
The Assembly (Large #).

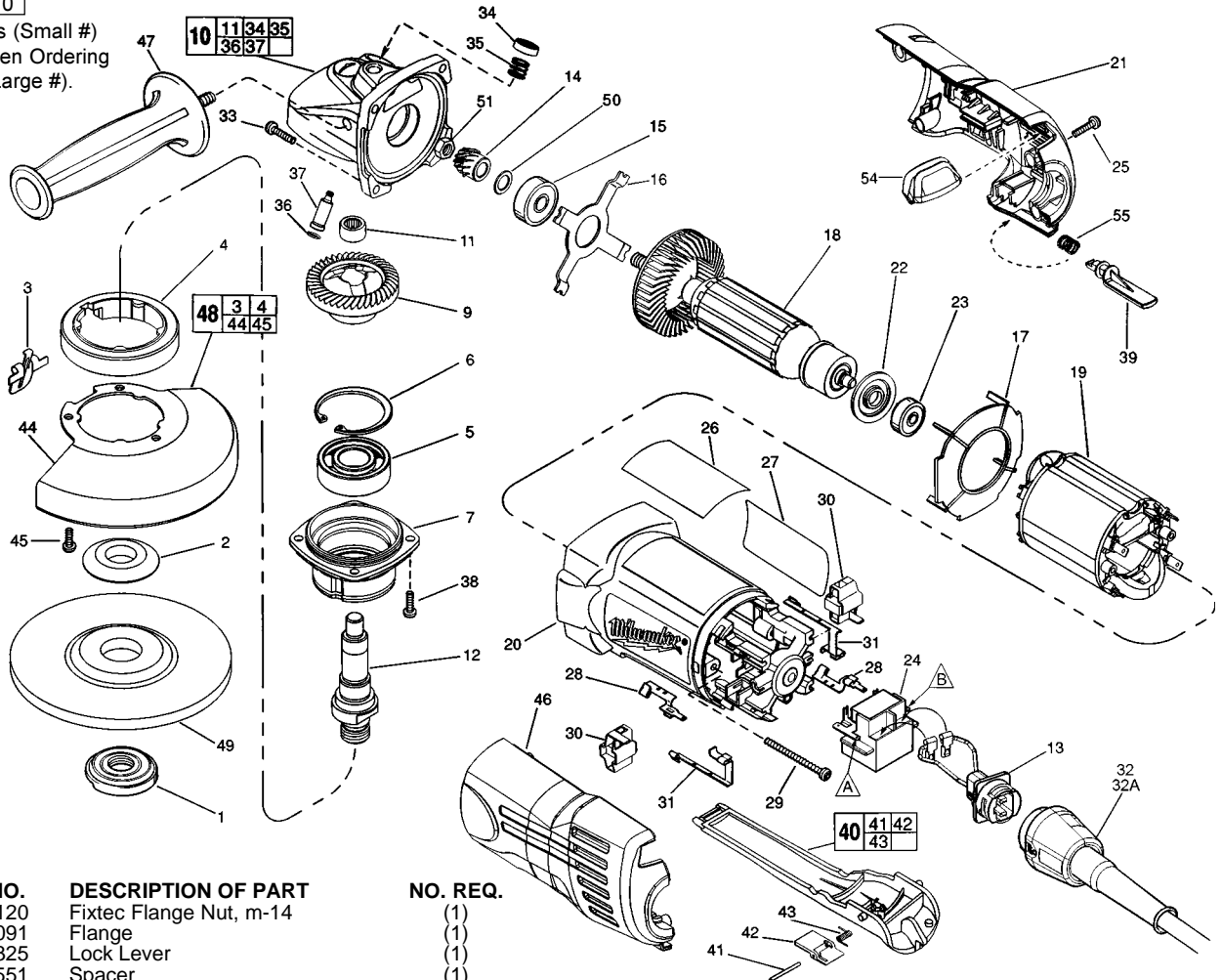


FIG.	PART NO.	DESCRIPTION OF PART	NO. REQ.
	1	05-59-0120	(1)
	2	49-05-0091	(1)
	3	44-20-0325	(1)
	4	45-36-1551	(1)
	5	02-04-1745	(1)
	6	34-80-2960	(1)
	7	28-52-0222	(1)
	9	32-05-1310	(1)
★	10	25-14-2351	(1)
	11	02-50-2423	(1)
	12	38-50-6065	(1)
	13	22-56-0691	(1)
	14	32-60-1310	(1)
★	15	02-04-0852	(1)
	16	44-66-5345	(1)
	17	42-14-0400	(1)
	18	16-04-2005	(1)
	19	18-04-2005	(1)
	20	31-50-1100	(1)
	21	31-44-0660	(1)
	22	23-16-0100	(1)
	23	02-04-2080	(1)
	24	23-66-2407	(1)
	25	06-82-7271	(4)
★	26	12-20-6154	(1)
	27	10-15-6149	(1)
	28	23-74-1206	(2)
	29	06-82-7421	(2)
	30	22-20-0910	(2)
	31	23-74-1201	(2)
	32	48-76-5012	(1)
★	32A	22-64-0684	(1)
	33	06-82-7326	(4)
	34	31-12-0205	(1)
	35	40-50-8650	(1)
	36	34-40-4300	(1)
	37	44-60-0845	(1)
	38	06-82-5316	(4)
	39	42-42-0030	(1)

FIG.	PART NO.	DESCRIPTION OF PART	NO. REQ.
	40	31-92-0320	(1)
	41	06-65-1915	(1)
	42	42-42-0390	(1)
	43	40-50-8750	(1)
	44	28-41-1025	(1)
	45	06-82-7251	(3)
	46	31-44-0665	(1)
	47	49-15-0310	(1)
	48	49-12-0366	(1)
	49	-----	(1)
	49	125mm Disc - Select From Catalog	(1)
★	50	45-14-0280	(1)
	51	06-55-3850	(1)
	54	31-53-0150	(1)
	55	40-50-0921	(1)
		49-96-7205	(1)

**FIG. LUBRICATION:**  
9,14 Type "Y" Grease, No. 49-08-5270, Must Be Applied To All Gear Teeth.  
10 9-12 Grams Type "Y" Grease, No. 49-08-5270.

**FIG. NOTES:**  
7 Position The Spindle Hub With The Side That Has The Word "Back" Orientated Toward The Rear Of The Tool.  
11 Press 2.3mm Below Casting Surface With Lettering Readable After Assembly.  
32 Blade Housing Leads Are Interchangeable On Switch Connections.  
51 Torque To 2.85-4.0 Nm.