



SERVICE PARTS LIST

BULLETIN NO.
54-40-0132

SPECIFY CATALOG NO. AND SERIAL NO. WHEN ORDERING PARTS		REVISED BULLETIN 54-30-0131	DATE Dec. '90
D.I. JIG SAW			
CATALOG NO.	6245	SERIAL NUMBER	685-23501
		WIRING INSTRUCTION 58-01-0306	

EXAMPLE:

00	0
----	---

 Component Parts (Small #) Are Included
 When Ordering The Assembly (Large #).

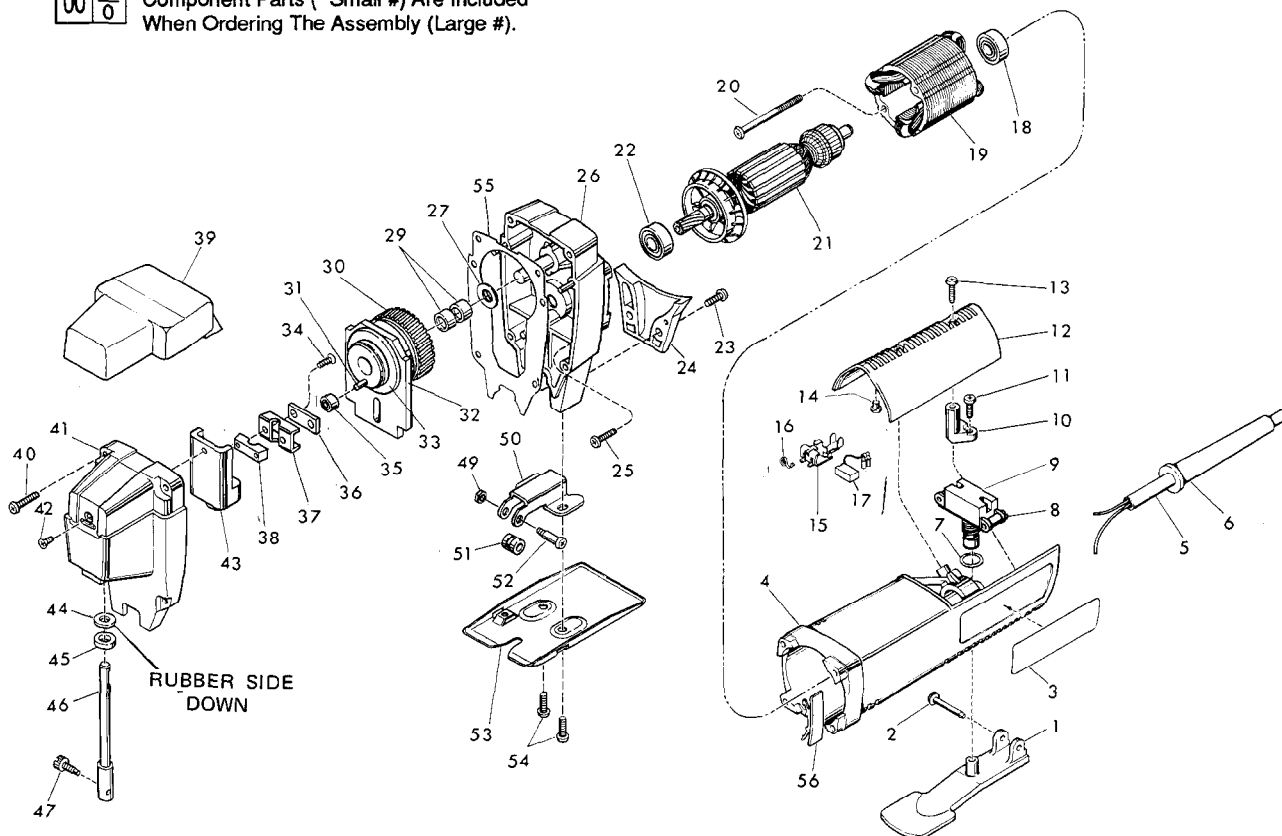


FIG.	PART NO.	DESCRIPTION OF PART	NO. REQ.
	1	31-92-0225 Trigger Paddle	(1)
	2	06-72-0810 Tapered Rivet	(1)
	3	12-75-1876 Service Nameplate	(1)
	4	31-50-0310 Motor Housing	(1)
	5	22-64-0215 Cord Set	(1)
	6	44-76-0110 Cord Protector	(1)
	7	34-40-4015 O-Ring	(1)
	8	06-95-0125 Switch Terminal Screw	(2)
	9	23-66-1170 Switch	(1)
	10	31-17-0120 Cord Clamp	(1)
	11	06-82-7270 8-16 x 5/8" Torx Plastite Cover	(2)
	12	31-15-0140 Cover	(1)
	13	06-82-7270 8-16 x 5/8" Torx Plastite	(2)
	14	42-38-0180 Rubber Bumper	(2)
★	15	22-20-0690 Brush Holder	(2)
★	16	23-52-0240 Brush Spring	(2)
★	17	22-18-0710 Carbon Brush	(2)
	18	02-04-0850 Ball Bearing	(1)
★	19	18-07-0035 120 V Field	(1)
	20	06-82-7410 8-16 x 1-7/8" Torx Plastite Screw	(2)
	21	16-07-0036 120 V Armature (Includes 22-84-0680 Fan)	(1)
	22	02-04-0847 Ball Bearing	(1)
	23	06-82-5566 10-24 x 1/2" Torx Plastite Screw	(2)
	24	31-05-0150 Air Baffle	(1)
	25	06-82-7270 8-16 x 5/8" Torx Plastite Screw	(4)
	26	28-14-1750 Gear Case Assembly	(1)
	27	45-88-0480 Bronze Washer	(1)
	28	32-30-0011 Drive Gear Assy. (Incl. Ref. Nos. 29 thru 33)	(1)
	29	02-50-2423 Roller Bearing	(2)

FIG.	PART NO.	DESCRIPTION OF PART	NO. REQ.
	30	32-30-0010 Drive Gear	(1)
	31	06-65-1572 Pin	(1)
	32	42-87-0070 Counter Balance	(1)
	33	44-86-0335 Counter Balance Retainer	(1)
★	34	06-82-0790 6-32 x 7/16" Flat Hd. Screw	(2)
	35	44-96-0080 Roller Bearing Assembly	(1)
	36	44-66-5390 Clamp Plate	(1)
★	37	45-98-0186 Yoke	(1)
★	38	42-68-0450 Clamp	(1)
	39	31-15-0220 Insulating Cover	(1)
	40	06-82-5346 8-32 x 3/4" Torx Taptite Screw	(4)
	41	14-38-0350 Front Housing Assy. (Incl. Ref. Nos. 42 thru 45)	(1)
	42	06-82-0950 6-32 x 3/8" Flat Hd. Torx Screw	(1)
	43	42-40-0595 Spindle Bearing	(1)
	44	45-88-1030 Felt/Rubber Washer	(1)
	45	Front Housing Insert	(1)
★	46	38-50-5611 Spindle Assembly	(1)
	47	45-04-0565 Blade Clamp Screw	(1)
	48	44-66-5400 Blade Guide Assy. (Incl. Ref. Nos. 49 thru 52)	(1)
	49	06-57-6058 6-32 Lock Nut	(1)
	50	42-36-1325 Blade Roller Bracket	(1)
	51	43-56-0380 Blade Roller	(1)
	52	45-04-0610 Shoulder Screw	(1)
	53	45-16-0425 Saw Shoe	(1)
	54	06-82-5566 10-24 x 1/2" Torx Taptite Screw	(2)
	55	43-44-0700 Gasket	(1)
	56	31-15-0300 Vent Cover	(1)

MILWAUKEE ELECTRIC TOOL CORPORATION
 13135 W. LISBON RD., BROOKFIELD, WI 53005