



# SERVICE PARTS LIST

BUL. 54-40-3001

## JIG SAW

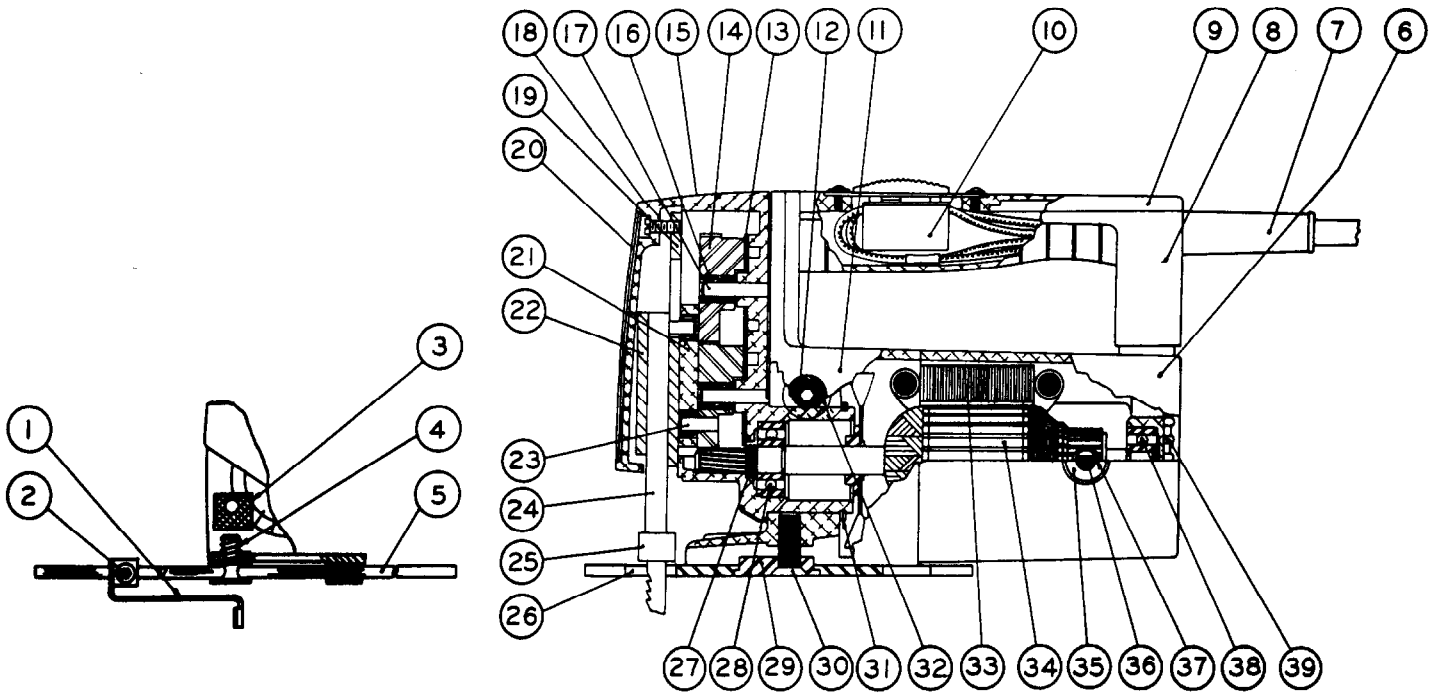
REVISED BUL 6281-2      DATE Feb. '68

Catalog No. 6250

Starting Serial No. 281-11240

WIRING INSTR.

Both Model and Serial No. must be furnished to obtain correct parts



## Tool Catalog No. 6250 JIG SAW

### ILLUSTRATED PARTS

FIG.	PART NO.	DESCRIPTION OF PART	NO.REQ.	FIG.	PART NO.	DESCRIPTION OF PART	NO.REQ.
1	44-66-0300	Rip Guide End Plate Assembly		20	12-75-1900	Identifying Name Plate	
2	06-75-2000	8-32 x 3/8 Soc. Hd. Rip Guide End Plate Sc.		★ 21	44-94-0131	Connecting Rod	
3	44-40-0210	Rip Guide Locking Nut		★ 22	42-92-0151	Spindle Bearing Plate Cover	
4	45-58-0120	Rip Guide Locking Stud		23	44-60-0250	Connecting Rod Pin	
5	44-94-0080	Rip Guide Rod		★ 24	38-50-4953	Spindle Assembly	
6	28-50-4981	Motor Housing		★ 25	42-68-0191	Blade Clamp (Incl. W/Item 24)	
7	22-64-0220	Cord Set		26	45-16-0231	Shoe	
8	28-44-9261	Handle		27	45-28-0090	Grease Slinger	
9	28-20-3521	Handle Cover		28	02-04-0940	Ball Bearing (Pinion End)	
10	23-66-0310	Switch		29	45-88-0370	Shoe Adjusting Washer	
11	14-13-0100	Diaphragm		30	06-81-3075	Shoe Adjusting Washer Screw	
12	06-81-3125	Gear Case Clamping Screw		31	34-60-2125	Retaining Ring	
13	45-88-0380	Washer	(2)	32	44-68-0100	Locking Plug	
14	32-48-1001	Mechanism Gear	(2)	33	18-22-1090	Field Assembly	
15	14-30-0220	Gear Case Assembly		34	16-22-1190	Armature Assembly	
16	02-50-1200	Mechanism Needle Bearings	(6)	35	23-44-0020	Brush Retaining Screw	(2)
17	44-60-0260	Mechanism Gear Pin (Incl. W/Item 15)	(2)	36	22-18-0270	Carbon Brush Assembly	(2)
18	28-20-1061	Gear Case Cover		37	22-22-0050	Brush Holder Assembly	(2)
★ 19	42-24-0181	Spindle Bearing Plate		38	02-04-0740	Ball Bearing (Comm. End)	
				39	28-39-0221	Grill	

### MISCELLANEOUS PARTS NOT SHOWN

PART NO.	DESCRIPTION OF PART	PART NO.	DESCRIPTION OF PART
06-81-3500	6-32x5/8 Oval Hd. Handle Cover Screw	06-81-5950	6-32x1-7/8 Fil.Hd. Field Sems (2)
06-81-3650	8-32x3/4 Oval Hd. Handle Cover Screws (2)	06-81-3450	6-32x5/16 Oval Hd. Grill Mounting Sc. (2)
06-81-6075	8-32x3/8 Fil.Hd. Handle Mounting Sems (2)	06-81-8625	6-32x1/4 (Bronze) Rd. Hd. Ground Sems
06-81-6550	8-32x1-1/2 Fil.Hd. Handle Mounting Sems	06-83-0100	10-32x1/4 Brush Holder Set Screw (2)
06-81-8650	6-32x1/4 Rd.Hd. Switch Mounting Sems (2)	12-98-5000	Name Plate
06-81-6300	8-32x7/8 Fil.Hd. Diaphragm Mtg. Sems (4)	06-81-4950	4-36x3/16 Truss Hd. Name Plate Sc. (2)
06-81-5825	6-32x1/2 Fil.Hd. Gear Case Cover Sems	45-36-0250	Handle Spacer
06-81-5850	6-32x5/8 Fil.Hd. Gear Case Cover Sems (2)	48-03-0010	Plug Adaptor
06-81-6100	8-32x7/16 Fil.Hd. Bearing Plate Mtg. Sems (4)	49-96-0060	1/8 Socket Wrench
06-81-6400	8-32x1-1/8 Fil.Hd. Brg. Plate Mtg. Sems (2)	49-96-0080	3/16 Socket Wrench
06-81-4300	3-48x3/16 Rd.Hd. Name Plage (Identifying) (3)	48-66-4080	Rubber Flex Chuck Key Holder
06-81-8050	8-32x3/8 Flat Hd. Brg. Plate Cover Sems (4)	23-86-0070	Fiber Brush Holder Washer (2)
34-60-0550	Retaining Ring	23-48-7325	2" Long Lead Wire Insulating Sleeving (2)
★ 06-83-2430	10-32x1/4 Hd'less Blade Retaining Soc. Screw (2)	06-65-0630	3/16x1/2 Type E Drivlok Pin (2)
★ 06-65-1510	Blade Clamp Ret. Pin (Incl. W/Item 24)	49-96-0050	3/32 Socket Wrench