



SERVICE PARTS LIST

BUL.54-40-3002

JIG SAW

REVISED BUL 54-40-3002 DATE Oct, '70

Catalog No. 6250

Starting Serial No. **281-12225**

WIRING INSTR. **58-01-0090**

Both Model and Serial No. must be furnished to obtain correct parts.

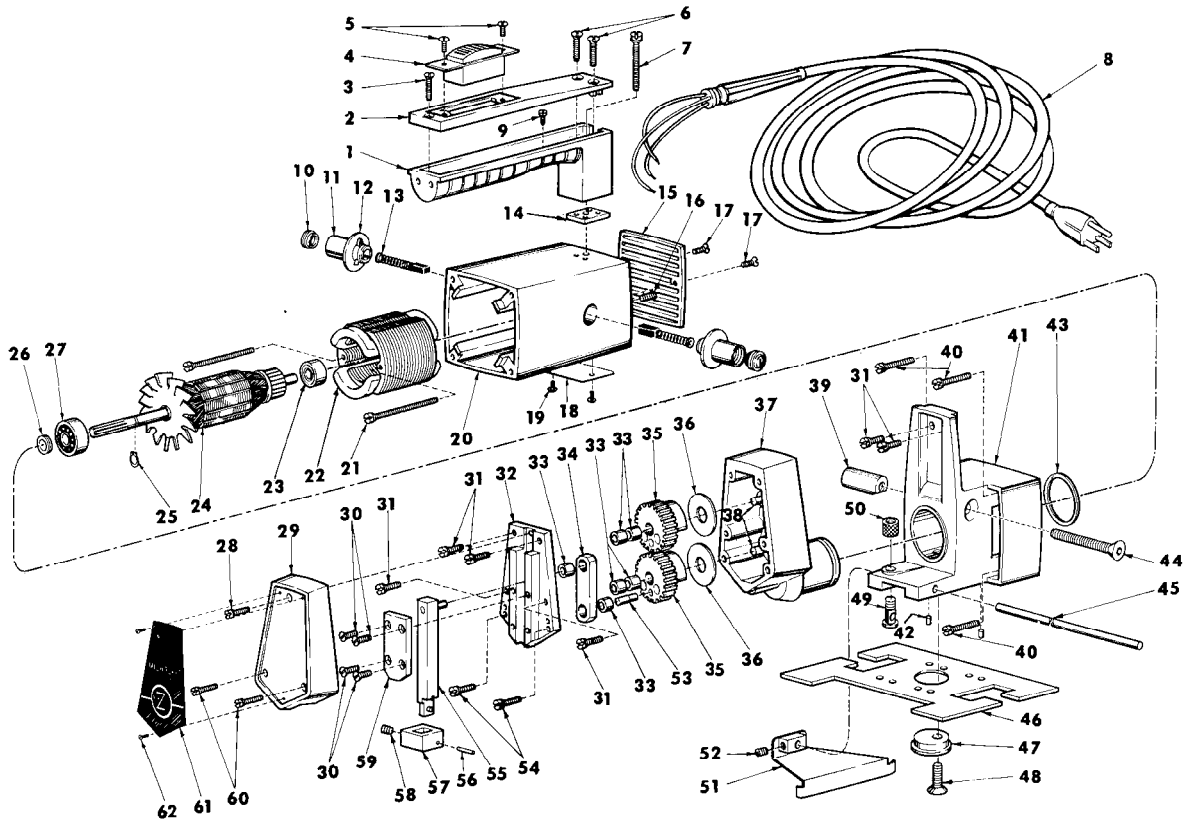


FIG.	PART NO.	DESCRIPTION OF PART	NO. REQ.	FIG.	PART NO.	DESCRIPTION OF PART	NO. REQ.
1	28-44-9261	Switch Handle		33	02-50-1200	Needle Bearing	6
2	28-20-3521	Switch Handle Cover		34	44-94-0131	Connecting Rod	1
3	06-81-3500	6-32x5/8 Oval Hd. Screw		35	32-48-1001	Mechanism Gear	2
4	23-66-0310	Switch		36	45-88-0380	Thrust Washer	2
5	06-81-8650	6-32x1/4 Round Hd. Sem	2	37	14-30-0220	Gear Case Assy. (Includes Fig. 38)	1
6	06-81-3650	8-32x3/4 Oval Hd. Screw	2	38	44-60-0260	Mechanism Pin	2
7	06-81-6550	8-32x1-1/2 Fil. Hd. Sem		39	44-68-0100	Locking Plug	1
8	22-64-0220	Cord Set	1	40	06-81-6300	8-32x7/8 Fil. Hd. Sem	4
9	06-81-8625	6-32x1/4 Ground Screw		41	14-13-0100	Diaphragm Assy. (Includes Fig. 42)	1
10	23-44-0020	Brush Retaining Screw	2	42	06-65-0630	3/16x1/2 Drivlok Pin	2
11	22-22-0050	Brush Holder Assy. (Includes Fig. 12)	2	43	34-60-2125	Retaining Ring	1
12	23-86-0070	Insulating Washer	2	44	06-81-3125	5/16-18x1-3/4 Skt. Flat Hd. Screw	1
13	22-18-0270	Carbon Brush	2	45	44-94-0080	Rip Guide Rod	1
14	45-36-0250	Handle Spacer		46	45-16-0231	Saw Shoe	1
15	28-39-0221	Grill Casting		47	45-88-0370	Shoe Adjusting Washer	1
*16	06-83-2430	10-32x1/4 Hdls. Skt. Screw	2	48	06-81-3075	5/16-18x3/4 Skt. Flat Hd. Screw	1
17	06-81-3450	6-32x5/16 Oval Hd. Screw	2	49	45-58-0120	Locking Stud	1
18	12-98-5000	Nameplate		50	44-40-0210	Locking Nut	1
19	06-81-4950	4-36x3/16 Truss Hd. Screw	2	51	44-66-0300	Plate Assembly	1
20	28-50-4981	Motor Housing		52	06-75-1985	8-32x5/16 Skt. Screw	1
21	06-81-5950	6-32x1-1/2 Fil. Hd. Sem	2	53	44-60-0250	Connecting Rod Pin	1
*22	18-22-1121	115 Volt Reversing Field		54	06-81-6400	8-32x1-1/8 Fil. Hd. Sem	2
23	02-04-0740	Ball Bearing		55	38-50-4954	Spindle Assy. (Includes Figs. 56 thru 58)	1
24	16-22-1190	115 Volt Armature (Includes Fig. 25)		56	06-65-1510	1/16x5/16 Blade Clamp Retaining Pin	1
25	34-60-0550	Retaining Ring		57	42-68-0191	Blade Clamp	1
26	45-28-0090	Grease Slinger		58	06-83-2430	10-32x1/4 Hdls. Skt. Screw	1
27	02-04-0940	Ball Bearing		59	42-92-0151	Bearing Plate Cover	1
28	06-81-5825	6-32x1/2 Fil. Hd. Sem		60	06-81-5850	6-32x5/8 Fil. Hd. Sem	2
29	28-20-1061	Gear Case Cover		61	12-75-1900	Nameplate	1
30	06-81-8050	8-32x3/8 Flat Hd. Sem	4	62	06-81-4300	3-48x3/16 Round Hd. Screw	3
31	06-81-6100	8-32x7/16 Fil. Hd. Sem	6				
32	42-24-0181	Spindle Plate Bearing					