



SERVICE PARTS LIST

BULLETIN NO.
54-40-0525

SPECIFY CATALOG NO. AND SERIAL NO. WHEN ORDERING PARTS		REVISED BULLETIN	DATE
ORBITAL JIG SAW			Oct. 2008
CATALOG NO.	6266-22	STARTING SERIAL NO.	A21A
		WIRING INSTRUCTION 58-01-0335	

EXAMPLE:
Component Parts
(Small #) Are Included
When Ordering The
Assembly (Large #).

**SEE REVERSE SIDE
FOR SERVICE
INSTRUCTIONS**

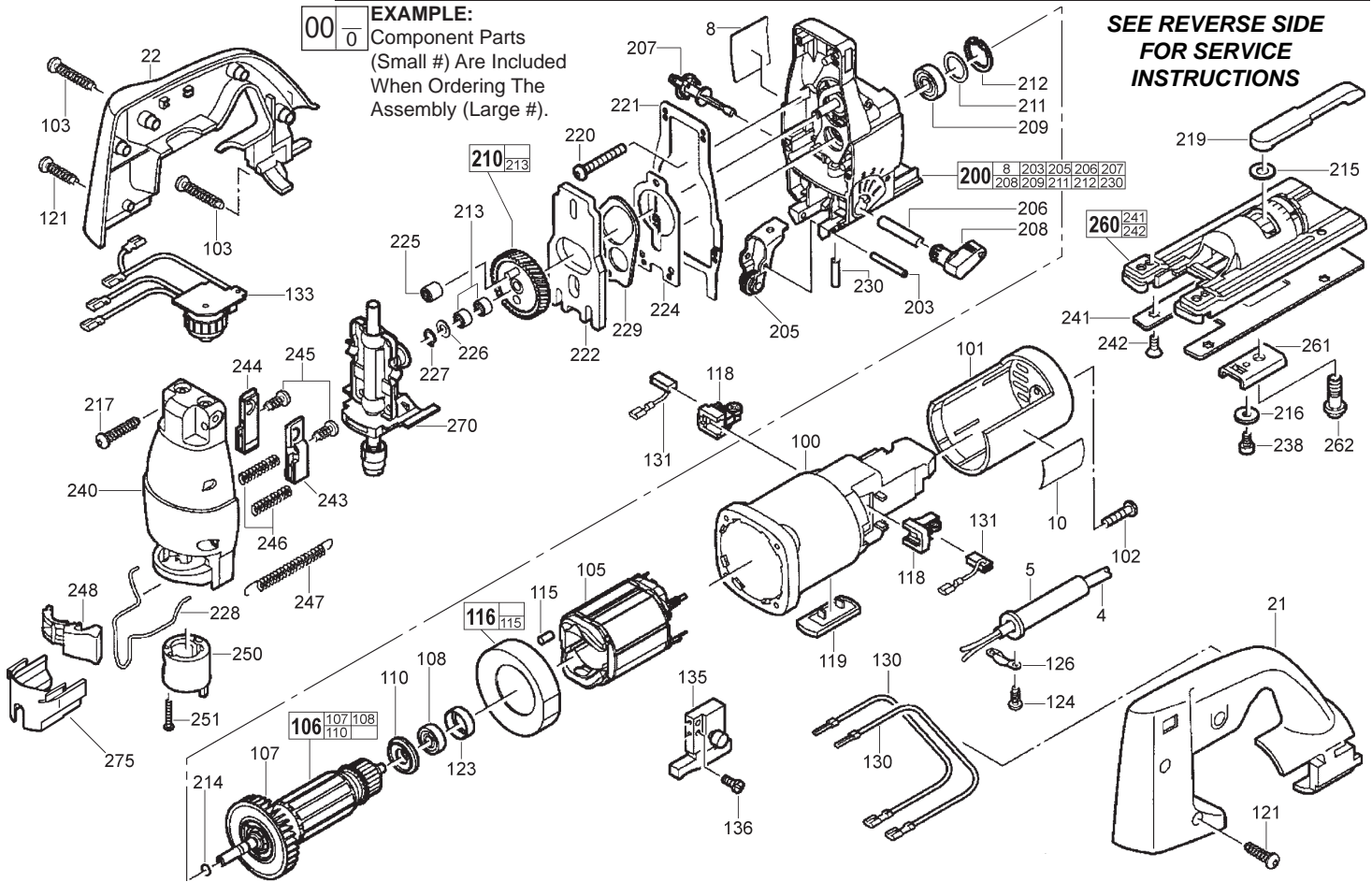


FIG.	PART NO.	DESCRIPTION OF PART	NO. REQ.
4	22-64-0896	CORD SET	1
5	44-76-0270	CORD PROTECTOR	1
8	10-15-9503	INSTRUCTION LABEL	1
10	10-15-9506	LOGO LABEL	1
21	31-44-1920	HANDLE HALF, LEFT	1
22	31-44-1930	HANDLE HALF, RIGHT	1
100	31-50-1230	MOTOR HOUSING	1
101	31-15-0480	MOTOR HOUSING COVER	1
102	05-81-0925	SCREW	1
103	05-88-9601	SCREW	4
105	18-07-0145	SERVICE FIELD	1
106	16-07-0145	ARMATURE ASSEMBLY	1
107	22-84-0930	FAN	1
108	02-04-1800	BALL BEARING	1
110	45-88-1220	INSULATING DISC	1
115	45-30-0055	SLUG	2
116	31-05-0210	AIR DEFLECTOR PLATE ASSEMBLY	1
118	22-20-0870	BRUSH HOLDER	2
119	31-15-0490	HOUSING CAP	1
121	05-88-9753	SCREW	4
123	45-22-0540	RUBBER SLEEVE	1
124	05-81-0930	SCREW	2
126	31-17-0240	CORD CLAMP	1
130	23-94-6620	WIRE	2
131	22-18-0860	CARBON BRUSH	2
133	14-20-0790	SPEED DIAL ASSY	1
135	23-66-1010	SWITCH (TERM. SCREWS NOT INCLUDED)	1
136	05-81-0932	TERMINAL SCREW	2
200	14-30-0795	GEARCASE ASSEMBLY	1
203	06-65-0565	PIN	1
205	42-36-1790	SUPPORT BRACKET COMPLETE	1
206	36-10-0825	CAM SHAFT	1
207	30-58-0045	VACUUM CONTROL KNOB	1
208	30-58-0055	ORBIT LEVER	1
209	02-04-1820	BALL BEARING	1
210	32-30-0132	GEAR ASSEMBLY	1
211	44-86-0215	WAVY WASHER	1
212	44-90-4425	RETAINING RING	1
213	02-50-9005	NEEDLE BEARING	2
214	44-90-4420	RETAINING RING	1

FIG.	PART NO.	DESCRIPTION OF PART	NO. REQ.
215	45-88-8605	WASHER	1
216	45-88-8615	WASHER	1
217	05-88-9903	SCREW	4
219	30-58-0035	TENSION LEVER	1
220	05-88-9750	SCREW	4
221	43-44-1071	GASKET	1
222	42-87-0115	COUNTER BALANCE	1
224	44-66-6166	SPACER PLATE	1
225	02-50-9996	NEEDLE BEARING	1
226	45-88-8600	WASHER	1
227	34-60-3670	SNAP RING	1
228	45-12-0535	WIREFORM SHIELD	1
229	42-09-0155	ROCKER ARM	1
230	44-60-1415	LINKAGE PIN	1
238	05-88-9755	SCREW	1
240	14-38-0665	GEAR CASE COVER	1
241	45-16-0636	SLIDE PLATE	1
242	05-88-9756	SCREW	4
243	42-68-1025	CLAMP, LEFT	1
244	42-68-1015	CLAMP, RIGHT	1
245	05-88-9753	SCREW	2
246	40-50-8790	PRESSURE SPRING	2
247	40-50-8800	TENSION SPRING	1
248	44-10-0345	BLADE CLAMP LEVER	1
250	45-22-0531	INDEX SLEEVE	1
251	05-88-9754	SCREW	1
260	45-16-0635	SHOE ASSEMBLY	1
261	44-86-0581	THRUST PIECE	1
262	05-74-0676	SCREW	1
270	38-50-6055	SPINDLE ASSEMBLY	1
275	45-12-0525	DUST CAP	1
	12-20-1162	SERVICE NAMEPLATE (NOT SHOWN)	1
	23-74-0155	TERMINAL (NOT SHOWN)	2
	48-08-0531	ANTI-SPLINTERING DEVICE (NOT SHOWN)	1
	48-08-0533	PLASTIC SHOE COVER (NOT SHOWN)	1

MILWAUKEE ELECTRIC TOOL CORPORATION
13135 W. LISBON RD., BROOKFIELD, WI 53005
Drwg. 3

6266-22 Orbital Jigsaw Service Instructions - Hints

Following are hints for disassembling and assembling the 6266-22 Orbital Jigsaw. Note that they are not complete service instructions.

Quik-Lok Blade Clamp Lever (#248) removal: After Tension Spring (#247) is removed, remove screw (#251) from bottom of Blade Clamp Lever. Rotate Blade Clamp Lever approximately 15 to 20 degrees and hold the Index Sleeve (#250) in this position. Press end of Blade Clamp Lever so it pivots out of the Index Sleeve.

Index Sleeve (#250) removal:

Extend spindle to its outward position. Depress spindle and pull off Index Sleeve through slot #1, see illustration below.

Spindle Assembly (#270) removal: Extend spindle to its outward position. After the left and right clamps (#243, #244) and screws (#245) are removed, remove the springs (#246). Pull Spindle Assembly out, making sure spindle nut fits through hole in the Gear Case Cover (#240).

Lubrication: Use 0.5 oz. Type "L" Grease, No. 49-08-4170 in Gear and Gear area.

After all parts are clean of used grease, apply new grease as follows: Lightly (yet completely) grease the Counterbalance Guide Pin, Gear pin, and orbit pivot (all of which are inside the Gear Case). Lightly grease the Needle Bearings (#213, #225), Spacer Plate (#224), Rocker Arm (#229), Counter Balance (#222), Armature Shaft Pinion, Linkage Pin (#230), and Gear (#210) before their installation. Note: the Linkage Pin must be installed before the Rocker Arm. After installation of the Gear, apply the remainder of the 0.5 oz. grease to Gear and Gear area. Apply grease favoring the top of the tool, as grease will settle toward the bottom as the tool is used.

Use 0.25 oz. Type "L" Grease, No. 49-08-4170 in the Spindle and Spindle Yoke areas.

Before installation of the Spindle Assembly (#270) into the Gear Case Cover (#240), lightly grease the pivots on the Spindle Assembly (for the orbital movement), the Pressure Springs (#246), the Left and Right Clamps (#243, #244), and the Spindle Assembly (#270) - excluding the Blade Clamp Nut. After installation of these parts into the Gear Case Cover, apply the remainder of the 0.25 oz. grease to Spindle and Spindle Yoke areas.

Spindle Assembly (#270) installation: Place Pressure Springs (#246) onto pins of Gear Case Cover (#240). Place Screws (#245) through holes of Left and Right Clamps (#243, #244). Assemble Left and Right Clamps onto Spindle Assembly (#270). Extend spindle and insert blade clamp nut through Gear Case Cover (#240).

Assembly of Quik-Lok Blade Clamp Lever (#248):

Extend spindle outward, insert Index Sleeve (#250) so that the clamp tang passes through the slot #1 of the sleeve. Rotate the Index Sleeve approximately 15-20° so that clamp tang falls into slot #2. Hook Tension Spring (#247) onto Blade Clamp Lever (#248). Hook the Blade Clamp Lever onto the Index Sleeve while feeding the Tension Spring (#247) through the Gear Case Cover (Use a needle nose pliers if necessary). Tighten Screw (#251) through Index Sleeve and Blade Clamp Lever. Before further assembly, operate the Blade Clamp Lever to ensure the blade clamp operates properly.

