



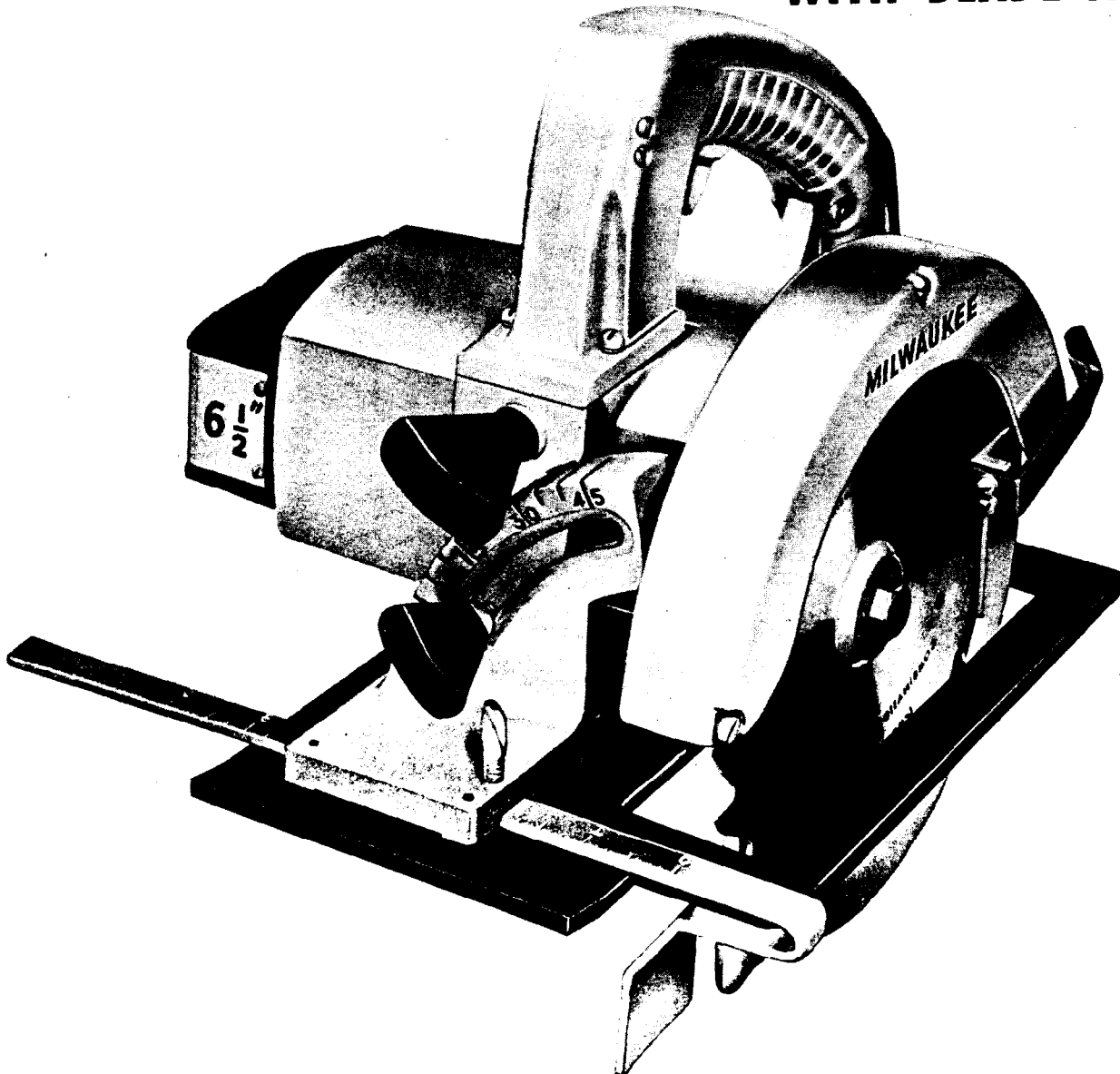
**SERVICE**

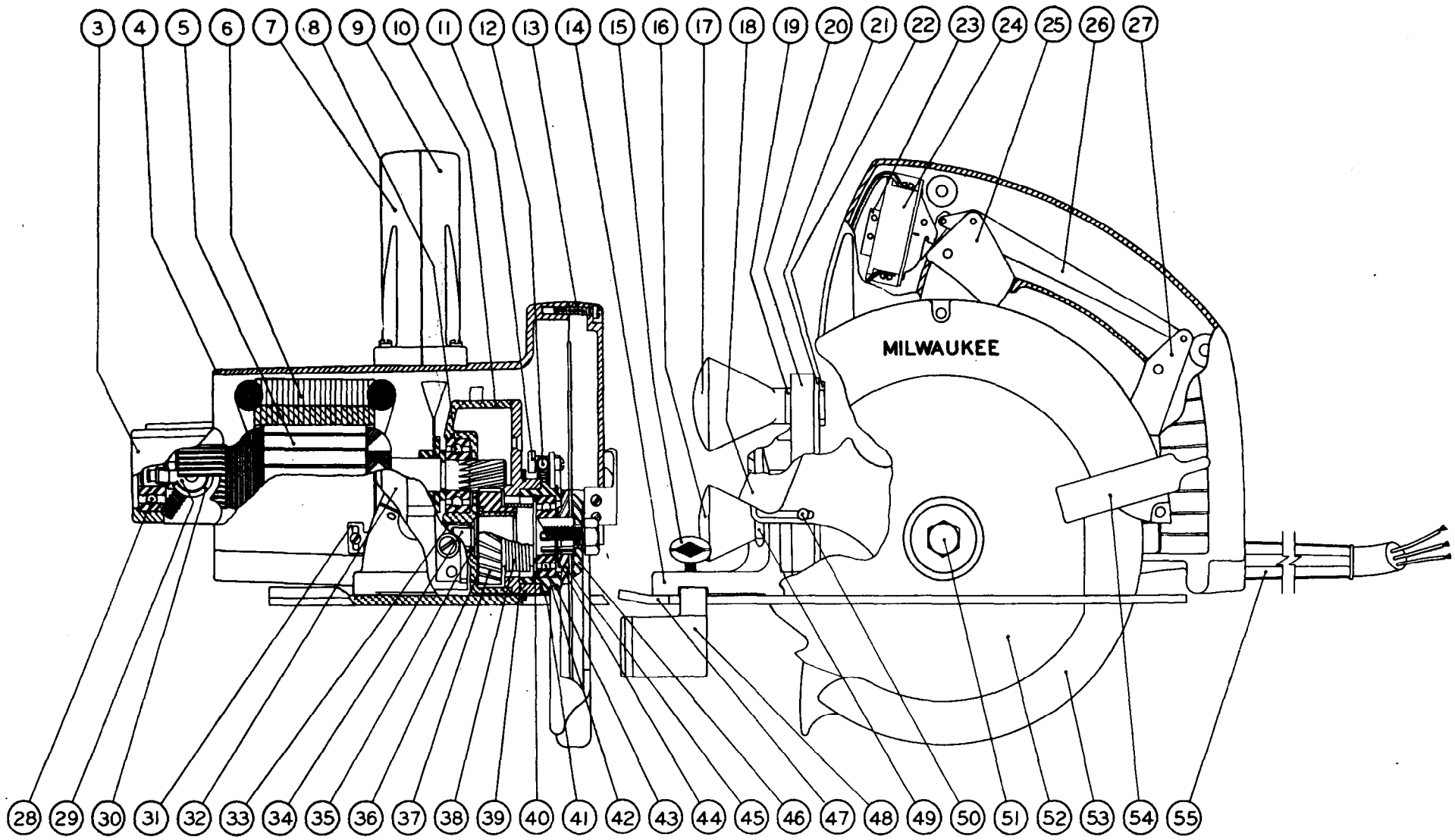


**PARTS LIST**

Catalog No. 6297

**6 1/2" MITER SAW  
WITH BLADE AT LEFT**







# SERVICE PARTS LIST

**BUL.54-40-1831**

**6-1/2" LEFT HAND MITER SAW**

REVISED BUL  
6332-2

DATE  
April '68

**Catalog No. 6297**

Starting Serial No. **332-1301**

WIRING INSTR.  
**58-01-0480**

Both Model and Serial No. must be furnished to obtain correct parts.

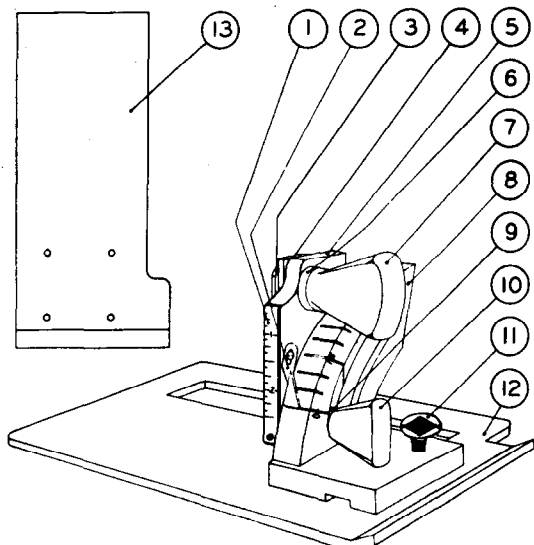
## ILLUSTRATED PARTS

FIG.	PART NO.	DESCRIPTION OF PART	NO.REQ.	FIG.	PART NO.	DESCRIPTION OF PART	NO.REQ.
3	42-92-0131	Housing End Cover		30	22-22-0190	Brush Holder Assembly	
4	28-50-6011	Motor Housing		31	43-82-0060	Depth Indicator	
5	16-62-1070	Armature Assembly		32	43-56-0070	Depth Adj. Guide Plate	(2)
6	18-62-1050	Field Assembly		33	02-50-2020	Spindle Needle Bearing	
7	14-34-0131	Left Handle Half (Sold with item No. 9 only)		34	38-50-4352	Spindle	
8	02-04-1340	Armature Ball Bearing (Pinion End)		35	45-88-0440	Gear Retaining Washer	
9	14-34-0131	Right Handle Half (See Item No. 7)		36	34-60-1290	Spindle Gear Ret. Ring	
10	28-28-1281	Diaphragm		37	32-75-2402	Spindle Gear	
11	45-58-0150	Guard Spring and Bumper Stud		38	40-50-4605	Spindle Drive Spring	
12	40-50-4500	Lower Guard Spring		39	28-72-1042	Bearing Plate	
13	28-20-2502	Upper Guard Cover		40	34-80-2500	Spindle Ball Brg. Ret. Ring	
14	28-72-5081	Miter Plate		41	45-88-0280	Spindle Drive Spring Washer	
15	06-87-2500	1/4-20 x 1/2 Rip Guide Thumb Screw		42	02-08-0625	Spindle Ball Bearing	
16	43-98-0080	Miter Plate Adj. Knob		43	34-60-2200	Guard Ret. Ring	
17	43-98-0110	Depth Adj. Knob		44	34-60-1500	Spindle Ret. Ring	
18	43-54-0161	Front Guard		45	43-34-0080	Spindle Flange	
19	45-88-0431	Depth Adj. Knob Washer		46	45-88-0290	Spindle Washer	
20	28-08-0081	Miter Plate Adj. Block		47	49-63-0090	Saw Shoe	
21	43-56-0080	Depth Adj. Guide Plate		48	49-02-0060	Rip Fence	
22	45-58-0140	Depth Adj. Stud		49	45-88-0240	Miter Plate Adj. Knob Washer	
23	42-28-0150	Switch Mounting Block		50	44-94-0090	Front Guard Pivot Rod	
24	23-66-0430	Switch		51	06-75-0476	3/8-24x3/4 Hex. Hd. Blade Bolt (L.H. Thr'd)	
25	28-92-0151	Top Trigger		52		6 1/2" Saw Blades (See Catalog)	
26	44-14-0060	Stamped Trigger Links	(2)	53	28-41-0452	Saw Guard Assembly	
27	28-92-0161	Bottom Trigger		54	43-62-0290	Saw Guard Handle	
28	02-04-0965	Armature Ball Bearing (Comm. End)		55	22-64-0340	Cord Set with Strain Relief	
29	22-18-0300	Carbon Brush Assembly					

## MISCELLANEOUS PARTS NOT SHOWN

PART NO.	DESCRIPTION OF PART	NO.REQ.	PART NO.	DESCRIPTION OF PART	NO.REQ.
12-98-5800	Replacement Name Plate		06-81-8050	8-32x3/8 Flat Hd. Bearing Plate Mount Sc.	(2)
12-98-6005	Depth Adjusting Scale		06-81-8050	8-32x3/8 Flat Hd. Depth Adj. Guide Mt. Sc.	(6)
40-50-4700	Front Guard Spring		06-81-8625	6-32x1/4 Rd. Hd. Brass Ground Screw	
42-38-0070	Guard Bumper		06-81-7025	10-24 x 3/4 Fil. Hd. Diaphragm Mt. Screws	(2)
43-82-0070	Miter Indicator		06-83-2650	1/4-20 x 3/8 Hd'less Brush Holder Set Screws	(4)
49-96-6300	Saw Wrench		06-81-4550	6-32x1/8 R.H. Front Guard Spring Mount Scr.	(2)
49-96-6400	1-3/8 Open End Wrench		06-65-1575	5/32x7/8 Dowels - Trigger Pivot Pins	(2)
48-55-1080	Carrying Case		06-65-1527	Roll Pin Trigger Link Dowels	(2)
06-75-2401	10-32 x 1/2 Nylok Adj. Screws	(2)	06-65-1525	Roll Pin Trigger Link Dowel	
06-81-5200	6-32 x 1/4 Washer Hd. Switch Mtg. Screw		06-81-2575	8-32 x 1/2 Flat Hd. Miter Plate Mount Screws	(4)
06-81-3700	8-32 x 7/8 Oval Hd. Switch Handle Assy. Sc.	(4)	06-81-4425	4-40 x 3/16 Rd.Hd. Depth Adj. Scale Mt. Scs.	(2)
06-81-5200	6-32 x 1/4 Washer Hd. Miter Indicator Mt. Sc.		06-81-8100	10-24 x 1-3/8 Flat Hd. Diaphragm Mount Scs.	(2)
06-81-5200	6-32 x 1/4 Washer Hd. Depth Indicator Mt. Sc.		* 06-81-4430	4-40x1/4" Rd. Hd. Lexan Cover Mount Screws	(2)
06-81-5800	6-32 x 5/16 Fil.Hd. Guard Hd. Mount Screw	(2)	06-81-4425	4-40 x 3/16 Rd. Hd. Name Plate Screws	(2)
06-81-5850	6-32 x 5/8 Fil. Hd. Switch Block Mtg. Screws	(2)	06-81-6750	8-32 x 2 1/2 Fil. Hd. Field Screws	(2)
06-81-6050	8-32 x 5/16 Fil. Hd. Bumper Mount Screw		22-90-0050	Grommet	
06-81-6150	8-32 x 1/2 Fil. Hd. Spring and Bumper Stud Mt. Sc.		12-98-5900	Identification Label	
06-81-6200	8-32 x 5/8 Fil. Hd. Handle Mount Screws	(4)	22-40-0070	Carbon Brush Assy. Ret. Clip	(2)
06-81-6150	8-32 x 1/2 Fil. Hd. Upper Guard Mount Screws	(3)	40-50-5600	Depth Adj. Knob Tension Spring	
23-16-0300	Lead Insulator		40-50-5700	Miter Adj. Knob Tension Spring	
23-16-0310	Switch Insulator		* 48-03-0010	Plug Adaptor	
* 06-97-1800	Lock Washer	(4)			

# SHOE ASSEMBLIES



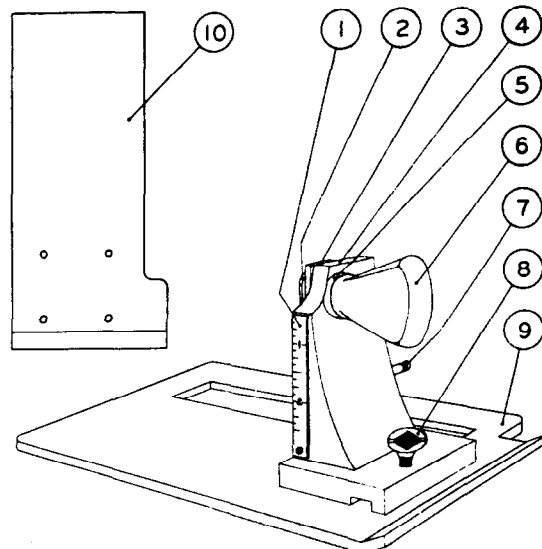
LEFT HAND MITER SAW SHOE ASSEMBLIES

WRAP-AROUND SHOE ASSEMBLY 49-63-1040  
(Includes all items but No. 13)  
OPEN SHOE ASSEMBLY 49-63-1030  
(Includes all items but No. 12)

FIG.	PART NO.	DESCRIPTION OF PART
1	12-98-6005	Depth Adj. Scale
2	43-82-0070	Miter Indicator
3	45-58-0140	5/16-18 Depth Adj. Stud
4	43-56-0080	Depth Adj. Guide Plate
5	28-08-0081	Miter Plate Adj. Block
6	45-88-0431	Depth Adj. Knob Washer
7	43-98-0110	Depth Adj. Knob
8	28-72-5081	Miter Plate
9	45-88-0240	Miter Plate Adj. Knob Washer
10	43-98-0080	Miter Plate Adj. Knob
11	06-87-2500	1/4-20x1/2 Rip Guide Thumb Screw
12	49-63-0090	Wrap-Around Saw Shoe (Aluminum)
13	49-63-0200	Open Saw Shoe (Aluminum)

MISCELLANEOUS PARTS NOT SHOWN

PART NO.	DESCRIPTION OF PART
06-81-4425	4-40x3/16 Rd.Hd. Depth Adj. Scale Mtg. Scs. (2)
06-81-5200	6-32x1/4 Washer Hd. Miter Ind. Mtg. Sc.
06-81-2575	8-32x1/2 Flat Hd. Miter Plate Mt. Scs. (4)
06-81-8050	8-32x3/8 Flat Hd. Depth Adj. Guide Mtg. Scs. (2)
44-94-0090	Front Guard Pivot Rod
06-75-2401	10-32x1/2 Socket Hd. Miter Block Adj. Sc.
40-50-5600	Depth Adj. Knob Tension Spring
40-50-5700	Miter Adj. Knob Tension Spring



LEFT HAND CUT-OFF SAW SHOE ASSEMBLIES

WRAP-AROUND SHOE ASSEMBLY 49-63-1140  
(Includes all items but No. 10)  
OPEN SHOE ASSEMBLY 49-63-1130  
(Includes all items but No. 9)

FIG.	PART NO.	DESCRIPTION OF PART
1	12-98-6005	Depth Adj. Scale
2	45-58-0140	5/16-18 Depth Adj. Stud
3	43-56-0080	Depth Adj. Guide Plate
4	28-72-2002	Depth Adj. Plate
5	45-88-0431	Depth Adj. Knob Washer
6	43-98-0110	Depth Adj. Knob
7	44-94-0090	Front Guard Pivot Rod
8	06-87-2500	1/4-20x1/2 Rip Guide Thumb Screw
9	49-63-0090	Wrap-Around Saw Shoe (Aluminum)
10	49-63-0200	Open Saw Shoe (Aluminum)

MISCELLANEOUS PARTS NOT SHOWN

PART NO.	DESCRIPTION OF PART
06-81-4425	4-40x3/16 Rd.Hd. Depth Adj. Scale Mtg. Scs. (2)
06-81-2575	8-32x1/2 Depth Adj. Plate Mtg. Scs. (4)
06-81-8050	8-32x3/8 Flat Hd. Depth Adj. Guide Mt. Scs. (2)
40-50-5600	Depth Adj. Knob Tension Spring

IF COMPLETE SHOE ASSEMBLIES ARE NOT ORDERED AND IT IS NECESSARY TO CHANGE FROM A MITER SHOE ASSEMBLY TO A CUT-OFF SHOE ASSEMBLY OR FROM CUT-OFF TO MITERING, THE FOLLOWING PARTS ARE NECESSARY.

TO CHANGE FROM CUT-OFF TO MITER

PART NO.	DESCRIPTION OF PART
43-98-0080	Miter Plate Adj. Knob
45-88-0240	Miter Plate Adj. Knob Washer
28-72-5081	Miter Plate
28-08-0081	Miter Plate Adj. Block
43-82-0070	Miter Indicator
06-81-5200	6-32x1/4 Washer Hd. Miter Indicator Mt. Screw
06-75-2401	10-32x1/2 Socket Hd. Miter Block Adj. Screw
40-50-5700	Miter Adj. Knob Tension Spring

TO CHANGE FROM MITER TO CUT-OFF

PART NO.	DESCRIPTION OF PART
28-72-2002	Depth Adj. Plate

Both Model and Serial Number must be furnished to obtain correct parts.

**MILWAUKEE ELECTRIC TOOL CORPORATION**

13135 WEST LISBON ROAD

BROOKFIELD, WISCONSIN 53005