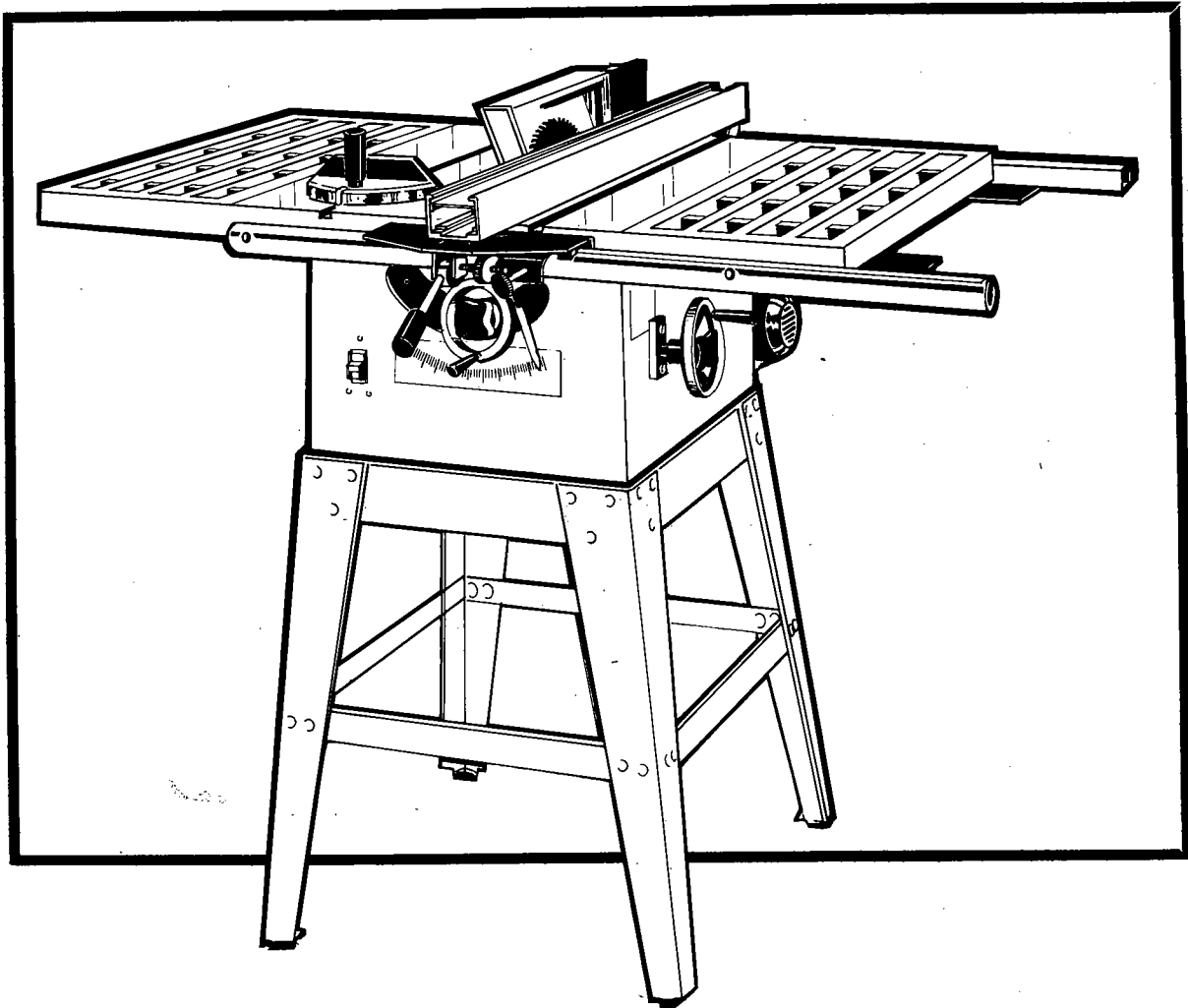


EDP 0460174

Model 63, 10" Artisan's Saw

INSTRUCTION MANUAL



Better By DesignTM

POWERMATIC[®] *PM*[®]

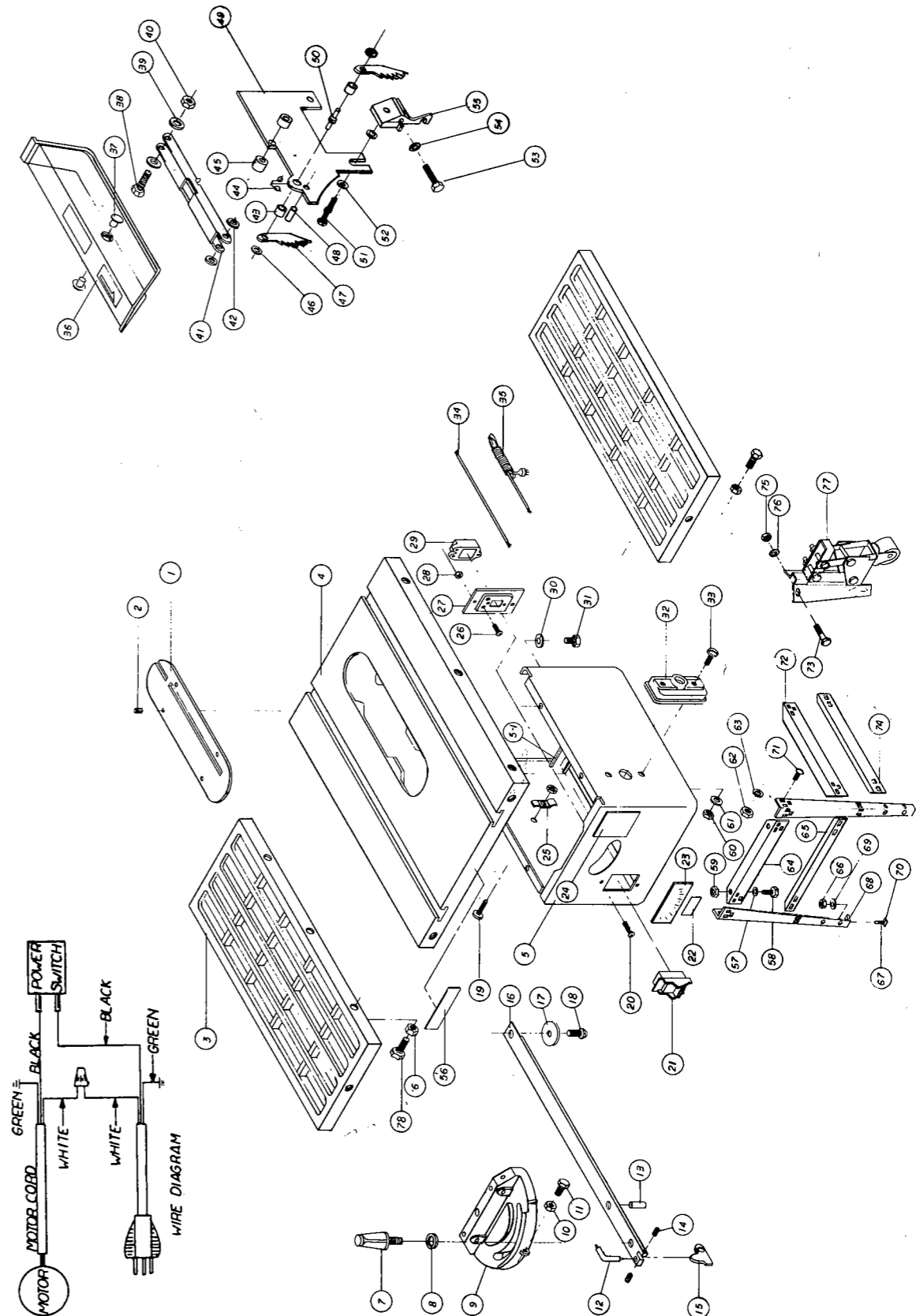
McMINNVILLE, TENNESSEE 37110 □ AC 615-473-5551

PARTS LIST

ITEM NO.	EDP. NO.	DESCRIPTION
1	6285202	INSERT
2	6285303	SCREW, SOC. SET.
3	6285206	WING, EXTENSION
4	6285205	TABLE
5	6285209	SHELL
6	6285207	COLLAR
7	6285329	MITER GAUGE ASSY (ITEMS 7 THRU 18)
8	6285214	BAR, SET
9	6285215	WASHER
10	6285213	SCALE, ANGLE
11	6285312	NUT, HEX.
12	6285308	SCREW, CR.-RE. PAN HD.
13	6285218	POINTER, ANGLE
14	6285220	PIN
15	6285208	BRACKET
16	6285301	SCREW, SOC. SET.
17	6285219	PLATE, SET
18	6285216	BAR, SHEET
19	6285217	WASHER
20	6285306	SCREW, CR.-RE. COUNT. HD.
21	6285305	SCREW, CR.-RE. COUNT. HD.
22	6285305	SCREW, CR.-RE. COUNT. HD.
23	6285322	ROCKER SWITCH
24	6285270	LABEL
25	6285212	SCALE, PLATE
26	6285269	LABEL, WARNING
27	6285201	WIRE CLIP
28	6285325	CR.-RE. PAN HD. TAPPING
29	6285267	SWITCH COVER
30	6285374	NUT, HEX.
31	6285264	SWITCH BOX
32	6285289	WASHER, FLAT
33	6285294	BOLT, HEX. HD.
34	6285210	BRACKET, GEAR
35	6285211	SCREW, CAP
36	6285320	MOTOR WIRE
37	6285319	POWER CABLE
38	6285330	BLADE GUARD ASSY (ITEMS 36 THRU 55)
39	6285246	BLADE GUARD (LEFT)
40	6285310	RIVET
41	6285299	BOLT, HEX. HD.
42	6285286	WASHER, FLAT
43	6285281	NUT CHUCK
44	6285263	U-BAR
45	6285324	RING, LOCKING RING
46	6285274	BUSHING
47	6285278	SPRING
48	6285277	SPACER
49	6285324	RING, SELF-LOCKING
50	6285273	PAWL, KICK BACK
51	6285283	PIN, SPRING
52	6285221	SUPPORT, GUARD
53	6285275	PIN, ROLL
54	6285294	BOLT, HEX. HD.
55	6285289	WASHER, FLAT
56	6285292	BOLT, HEX. HD.
57	6285287	WASHER, FLAT
58	6285222	PLATE, LINKING
59	6285271	LABEL, CAUTION
60	6285287	WASHER, FLAT
61	6285294	BOLT, HEX. HD.
62	6285314	NUT, HEX.
63	6285314	NUT, HEX.
64	6285289	WASHER, FLAT
65	6285314	NUT, HEX.
66	6285261	STIFFENER END, UPPER
67	6285313	STIFFENER SIDE, DOWNER
68	6285292	NUT, HEX.
69	6285204	BOLT, HEX. HD.
70	6285286	LEG
71	6285203	WASHER, FLAT
72	6285304	SPACER
73	6285259	CAP HD. SQUARE SHOULDER
74	6285300	STIFFENER SIDE, UPPER
75	6285262	BOLT, HEX. HD.
76	6285316	BRACKET, SUPPORT
77	6285287	NUT, HEX.
78	6285200	WASHER, FLAT
79	6285298	CASTER ASS'Y
80	6285298	BOLT, HEX. HD.

26.00

PARTS: Exploded View, electrical schematic

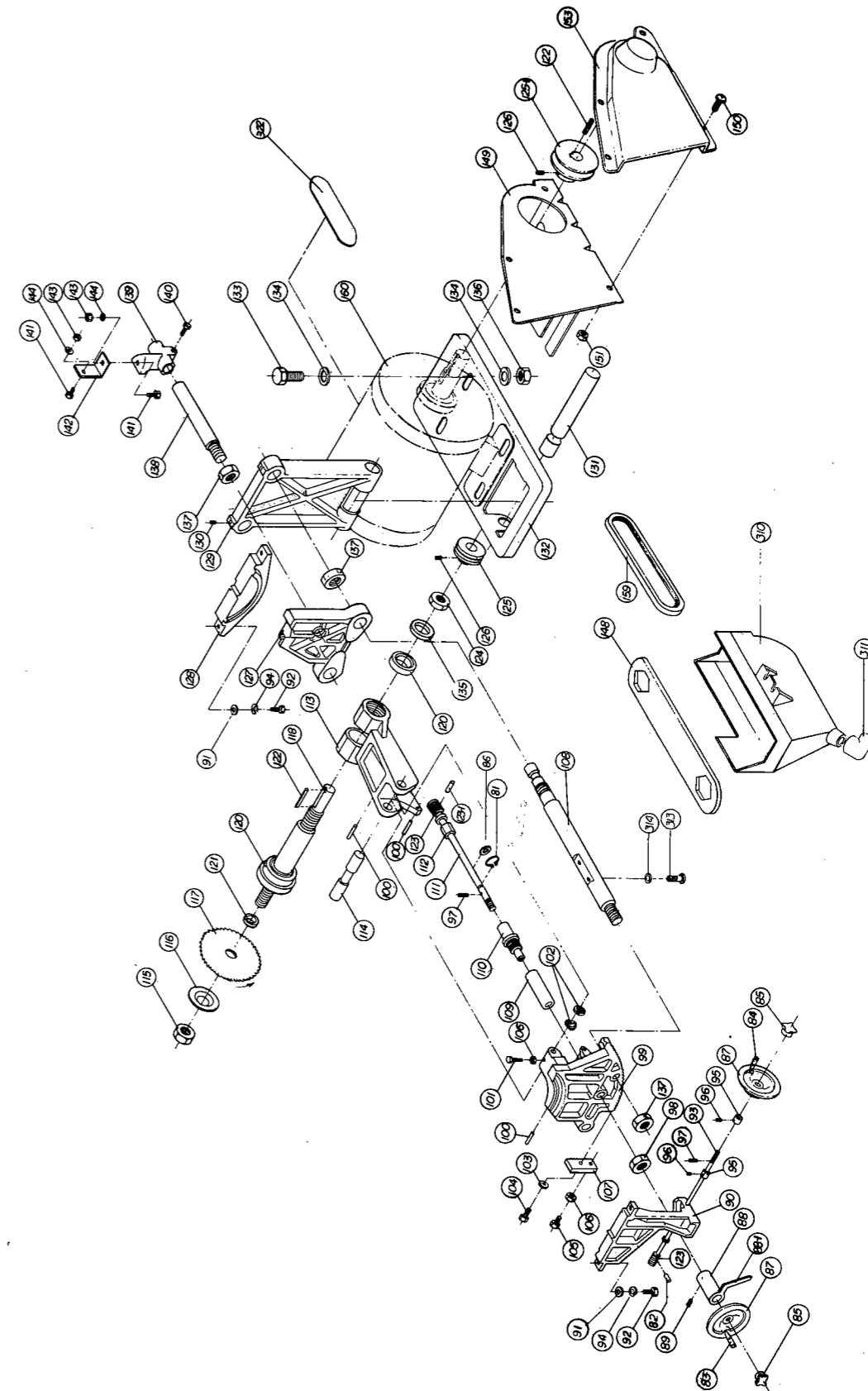


PARTS LIST

PART NO.	EDP NO.	DESCRIPTION
81	6285327	RING, SNAP
82	6285282	PIN, SPRING
83	6285223	HANDLE
84	6285224	BAR, HANDLE
85	6285225	KNOB
86	6285328	WASHER, FLAT
87	6285279	HANDWHEEL
88	6285226	SLEEVE, POINTER
88-1	6285227	POINTER
89	6285302	SCREW, SOC. SET.
90	6285228	BRACKET, FRONT
91	6285289	WASHER, FLAT
92	6285296	BOLT, HEX. HD.
93	6285229	WORM
94	6285290	WASHER, SPRING
95	6285230	COLLAR
96	6285302	SCREW, SOC. SET.
97	6285282	PIN, SPRING
98	6285315	NUT, HEX.
99	6285231	BRACKET, TAPER REGULATOR
100	6285284	PIN, SPRING
101	6285293	BOLT, HEX. HD.
102	6285280	WASHER, WAVE
103	6285286	WASHER, FLAT
104	6285293	BOLT, HEX. HD.
105	6285293	BOLT, HEX. HD.
106	6285313	NUT, HEX.
107	6285232	PLATE, SET
108	6285233	BAR, LINK
109	6285234	SPACER
110	6285235	SLEEVE, ECCENTRIC
111	6285236	WORM
112	6285237	COLLAR
113	6285238	BRACKET, HEIGHT
114	6285239	PIN
115	6285240	NUT, HEX.
116	6285241	COLLAR, SPINDLE
117	6285323	BLADE
118	6285242	SPINDLE
120	6285321	BEARING, BALL
121	6285243	BUSHING, BLADE SHAFT
122	6285317	KEY, PARELLEL
123	6285244	GEAR, WORM
123-1	6285282	PIN, SPRING
124	6285245	NUT, HEX.
125	6285246	PULLEY, SPINDLE
125-1	6285247	PULLEY, MOTOR
126	6285302	SCREW, SOC. SET.
127	6285248	ANGLE REGULATOR
128	6285249	BRACKET, REAR
129	6285250	BRACKET, MOTOR
130	6285303	SCREW, SOC. SET.
131	6285251	PIN
132	6285252	BRACKET, MOTOR
133	6285297	BOLT, HEX. HD.
134	6285289	WASHER, FLAT
135	6285291	WASHER, LOCK FOR BEARINGS
136	6285314	NUT, HEX.
137	6285315	NUT, HEX.

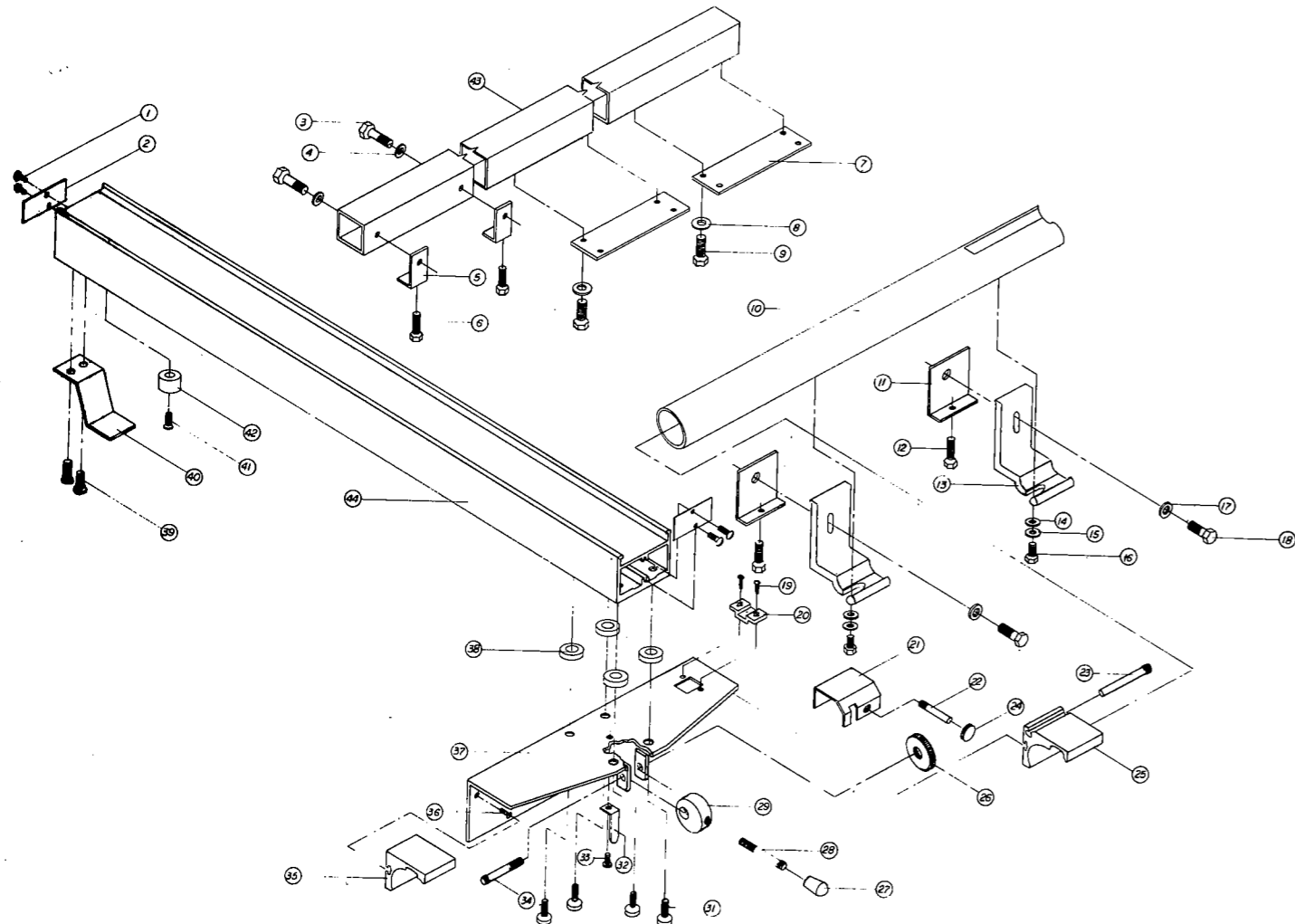
NO.	EDP. NO.	DESCRIPTION
138	6285253	LEVER
139	6285254	CONNECTOR
140	6285297	BOLT, HEX. HD.
141	6285295	BOLT, HEX. HD.
142	6285255	PLATE, CONNECTOR
143	6285314	NUT, HEX.
144	6285289	WASHER, FLAT
148	6285256	SPANNER
149	6285257	PULLEY, COVER SEAT
150	6285305	SCREW, CR.-RE. COUNT. HD
151	6285312	NUT, HEX.
153	6285258	PULLEY, COVER
159	6285318	V-BELT
160	6285326	MOTOR ASS'Y
310	6285265	DUST COLLECTOR
311	6285266	ELBOW
313	6285309	SCREW, CR.-RE. PAN HD.
314	6285285	FLAT WASHER
322	6285272	LABEL, MOTOR

PARTS: Exploded View



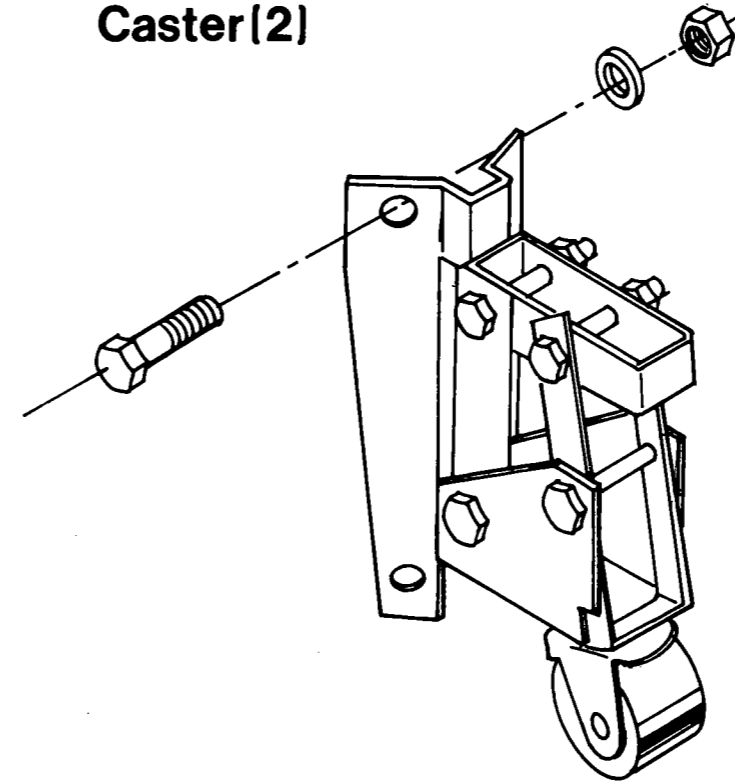
PARTS LIST, FENCE

ITEM NO.	EDP. NO.	DESCRIPTION
1	6285349	SCREW, PAN HD.
2	6285346	FENCE BAR END CAP
3	6285350	BOLT, HEX HD.
4	6285351	WASHER, FLAT
5	6285334	PLATE, ADJUSTMENT
6	6285352	BOLT, HEX. HD.
7	6285353	PLATE, SUPPORT
8	6285354	WASHER, FLAT
9	6285355	BOLT, HEX. HD.
10	6285339	FRONT RAIL
11	6285348	FRONT ADJUSTMENT PLATE
12	6285356	BOLT, HEX. HD.
13	6285347	SUPPORT EXTRUSION
14	6285357	WASHER, FLAT
15	6285358	WASHER, LOCK
16	6285359	BOLT, HEX. HD.
17	6285360	WASHER, FLAT
18	6285361	BOLT, HEX. HD.
19	6285362	SCREW, ROUND HD.
20	6285337	READER
21	6285344	HEAD MICRO ADJUST BLOCK
22	6285363	PIN. MICRO-HEAD
23	6285345	HEAD MICRO ADJUST BLOCK GUIDE PIN
24	6285364	KNOB
25	6285336	GUIDE
26	6285332	HEAD MICRO ADJUST KNOB
27	6285365	KNOB
28	6285331	CAM HANDLE FENCE HEAD
29	6285333	HEAD LOCKING CAM
31	6285366	SCREWS, CAP HD.
32	6285342	HEAD LOCKING CAM WEAR PLATE
33	6285367	SCREWS, BOTTOM HD.
34	6285343	HEAD LOCKING CAM PIN
35	6285336	GUIDE
36	6285368	SCREWS, ROUND HD.
37	6285341	HEAD WELD ASSEMBLY
38	6285369	SPACERS, HD.
39	6285370	SCREWS, ROUND HD.
40	6285335	FENCE BAR HOLD DOWN BRACKET
41	6285371	SCREWS, ROUND HD.
42	6285372	BUTTON, SUPPORT
43	6285340	REAR RAIL
44	6285338	FENCE EXTRUSION



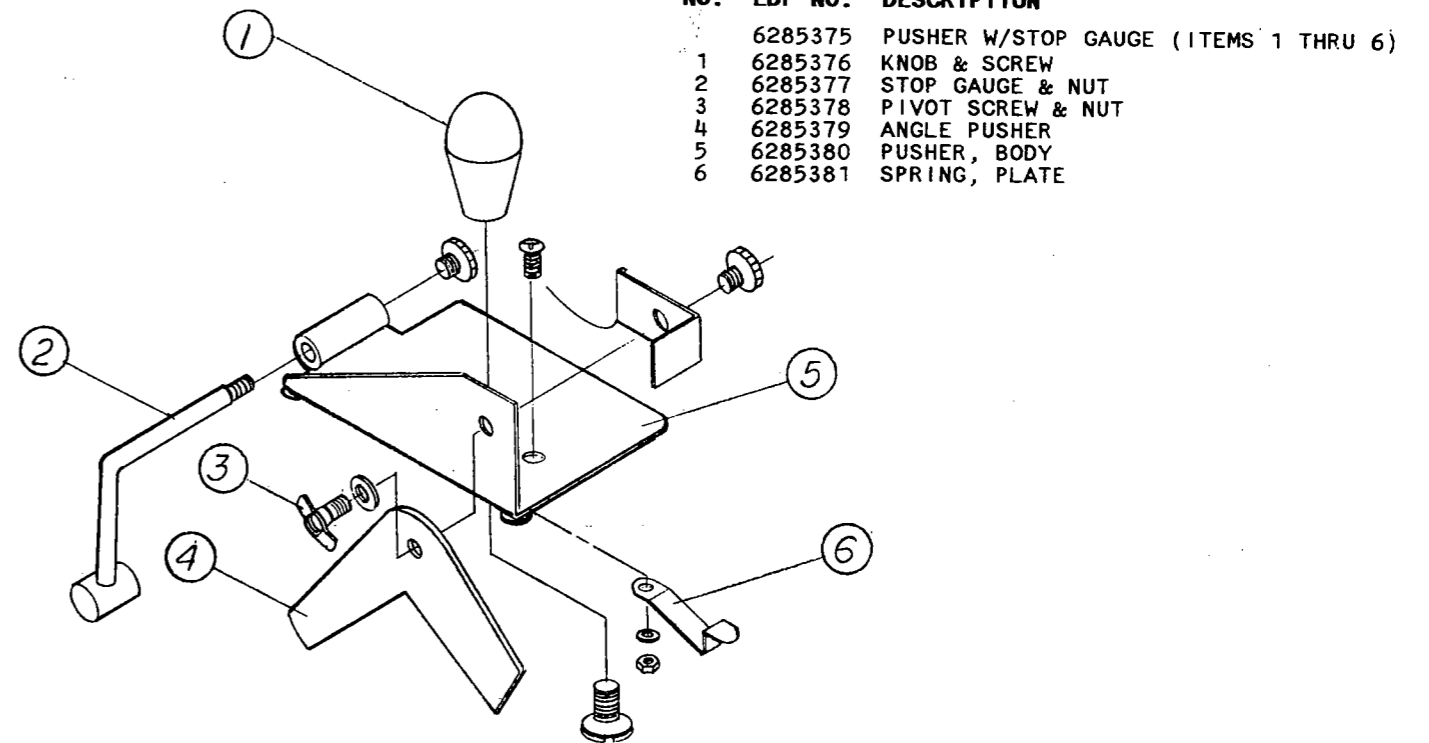
OPTIONS

Caster(2)



EDP NO.	DESCRIPTION
6285200	CASTER (2) (ITEMS 73, 75, 76, & 77 SEE PARTS LIST, PAGE 22)

Pusher with Stop Gauge



ITEM NO.	EDP NO.	DESCRIPTION
	6285375	PUSHER W/STOP GAUGE (ITEMS 1 THRU 6)
1	6285376	KNOB & SCREW
2	6285377	STOP GAUGE & NUT
3	6285378	PIVOT SCREW & NUT
4	6285379	ANGLE PUSHER
5	6285380	PUSHER, BODY
6	6285381	SPRING, PLATE

POWERMATIC WARRANTY

Powermatic will repair or replace, at its expense and at its option, any Powermatic machine, machine part or machine accessory which in normal use has proven to be defective in workmanship or material, provided that the customer returns the product prepaid to the Authorized Powermatic Distributor from which the machine was purchased within one year and provides Powermatic with reasonable opportunity to verify the alleged defect by inspection. Powermatic will not be responsible for any asserted defect which has resulted from normal wear, misuse, abuse or repair or alteration made or specifically authorized by any one other than an authorized Powermatic service representative. Under no circumstances will Powermatic be liable for incidental or consequential damages resulting from defective products. This warranty is Powermatic's sole warranty and sets forth the customer's exclusive remedy, with respect to defective products all other warranties expressed or implied whether of merchantability, fitness for purpose or otherwise are expressly disclaimed by Powermatic.

THIS IS POWERMATIC'S SOLE WRITTEN WARRANTY. ANY AND ALL OTHER WARRANTIES WHICH MAY BE IMPLIED BY LAW, INCLUDING ANY WARRANTIES FOR MERCHANTABILITY OR FITNESS FOR A PARTICULAR PURPOSE, ARE HEREBY LIMITED TO THE DURATION OF THIS WRITTEN WARRANTY. POWERMATIC SHALL NOT BE LIABLE FOR ANY LOSS, DAMAGE, OR EXPENSES DIRECTLY OR INDIRECTLY RELATED TO THE USE OF ITS PRODUCTS OR FROM ANY OTHER CAUSE OR FOR CONSEQUENTIAL DAMAGES (INCLUDING WITHOUT LIMITATION, LOSS OF TIME, INCONVENIENCE, AND LOSS OF PRODUCTION). THE WARRANTY CONTAINED HEREIN MAY NOT BE MODIFIED AND NO OTHER WARRANTY, EXPRESSED OR IMPLIED, SHALL BE MADE BY OR ON BEHALF OF POWERMATIC.

POWERMATIC®
MCMINNVILLE, TN 37110