



SERVICE PARTS LIST

BULLETIN NO.
54-40-0300

SPECIFY CATALOG NO. AND SERIAL NO. WHEN ORDERING PARTS		REVISED BULLETIN	DATE
6-1/4" CORDLESS CIRCULAR SAW			Oct. '85
CATALOG NO. 6305	STARTING SERIAL NO. 84-12-10	WIRING INSTRUCTION SEE REVERSE SIDE	

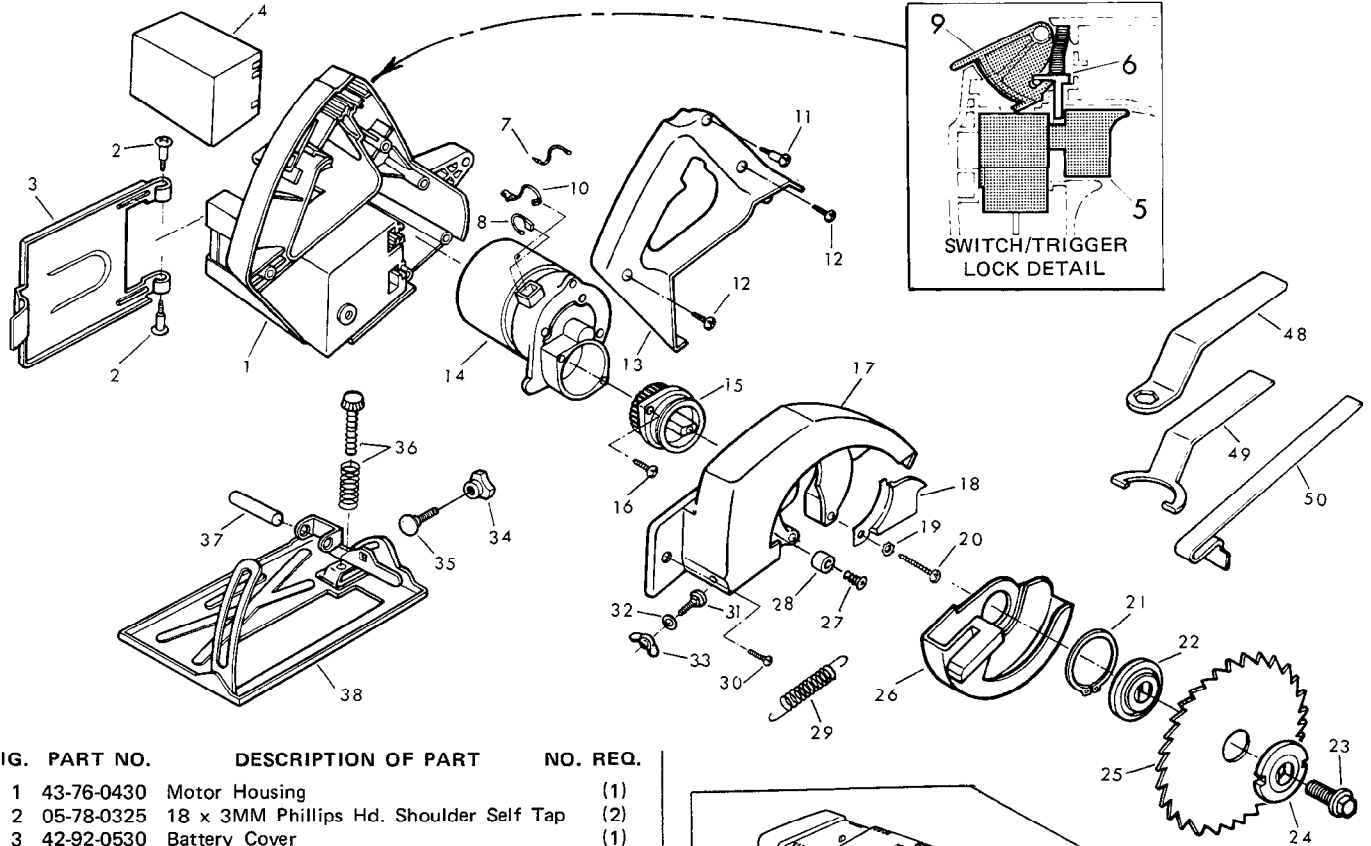


FIG.	PART NO.	DESCRIPTION OF PART	NO. REQ.
1	43-76-0430	Motor Housing	(1)
2	05-78-0325	18 x 3MM Phillips Hd. Shoulder Self Tap	(2)
3	42-92-0530	Battery Cover	(1)
4	48-11-0110	Battery Pack	(1)
5	23-66-1410	Switch	(1)
6	45-72-0140	Switch Trigger (40-50-7990 Spring)	(1)
7	23-94-9855	Red Lead Wire (Switch To Battery +)	(1)
8	23-94-9850	Black Lead Wire (Motor To Battery -)	(1)
9	43-62-0930	Trigger Lock	(1)
10	23-94-9860	Blue Lead Wire (Motor To Switch)	(1)
11	05-78-0330	27 x 3MM Phillips Hd. Shoulder Self Tap	(1)
12	05-78-0320	16 x 3MM Phillips Hd. Self Tap	(2)
13	43-76-0420	Handle Cover Housing	(1)
14	14-50-0440	Motor Assembly	(1)
15	36-66-4410	Gear Shaft Assembly	(1)
16	05-82-0409	10 x 3MM Gear Box Screw	(2)
17	43-54-0580	Upper Guard	(1)
18	42-92-0540	Side Cover	(1)
19	45-88-7950	Star Washer	(3)
20	05-78-0335	35 x 3MM Phillips Hd. Self Tap	(3)
21	06-97-3030	Lower Guard Retainer	(1)
22	43-34-0600	Inside Blade Flange	(1)
23	05-85-0010	Blade Screw	(1)
24	43-34-0590	Outside Blade Flange	(1)
25	48-40-3600	Carbide Tipped Saw Blade - 6 1/4"	(1)
26	43-54-0575	Lower Guard	(1)
27	05-78-0660	5MM x 20MM Flat Hd. Phillips Screw	(1)
28	42-38-0230	Rubber Bumper	(1)
29	40-50-7970	Lower Guard Spring	(1)
30	05-78-0315	8 x 3MM Phillips Hd. Self Tap	(1)
31	05-77-1200	13 x 5MM Carriage Bolt	(1)
32	45-88-7935	Washer	(1)
33	44-40-0615	Wing Nut	(1)
34	43-98-0280	Knob	(1)
35	44-40-0620	12 x 5MM Carriage Bolt	(1)
36	43-98-0270	Locking Screw With Spring	(1)
37	44-60-0900	Spring Pin	(1)
38	45-16-0560	Shoe Assembly	(1)

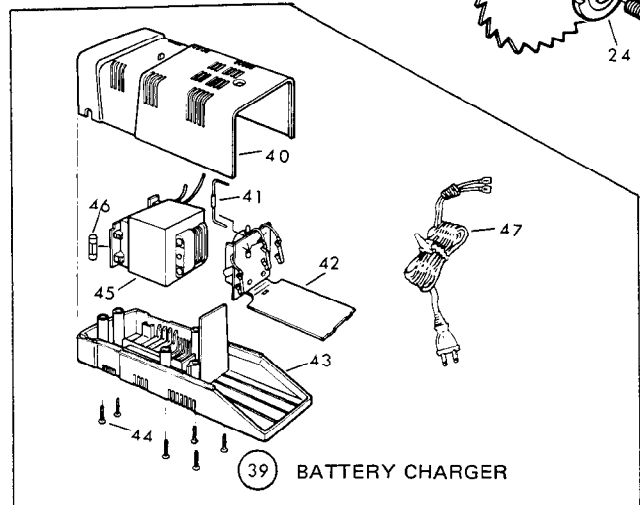
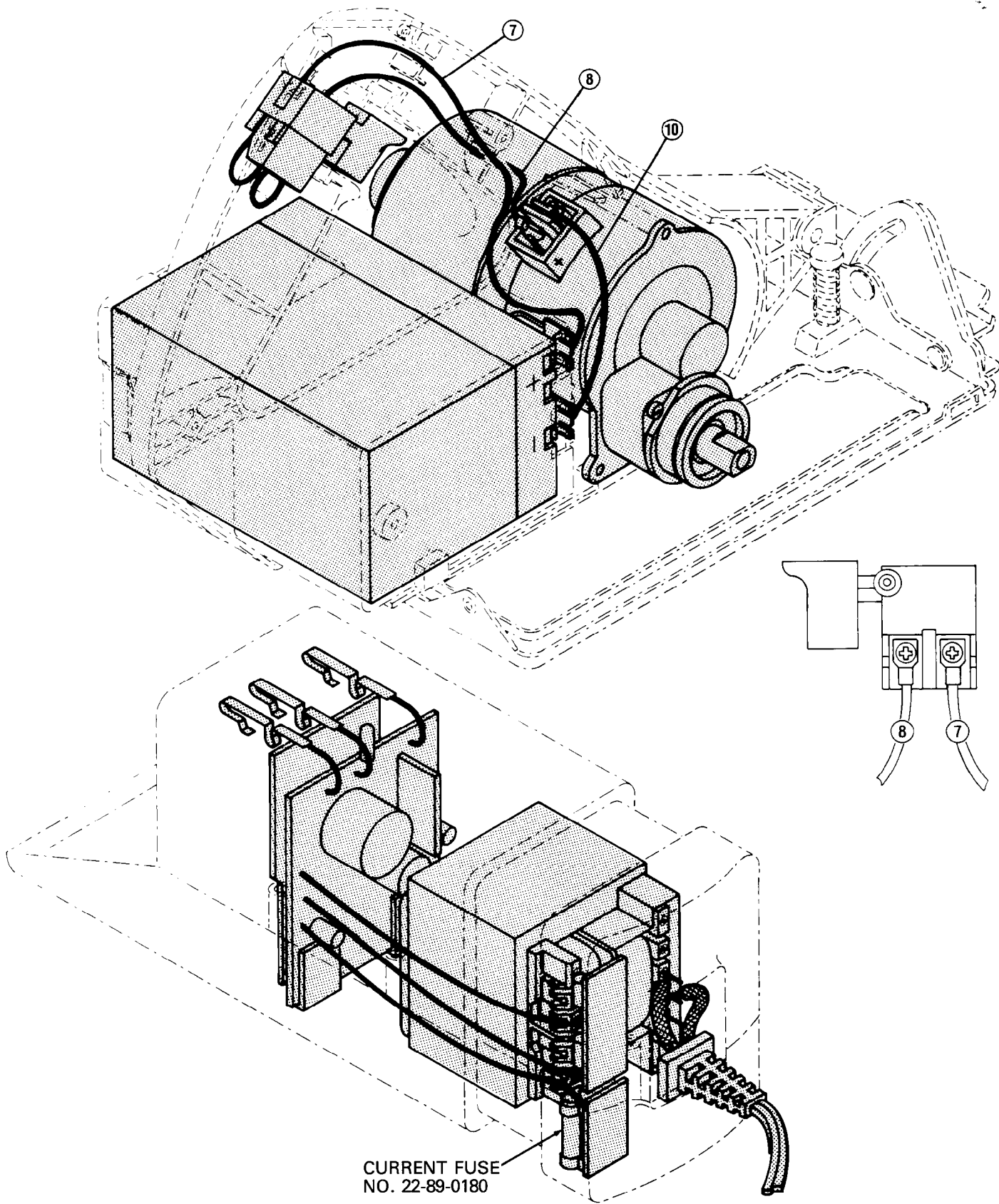


FIG.	PART NO.	DESCRIPTION OF PART	NO. REQ.
39	48-59-0190	Batter Charger (Includes Fig. Nos. 40 Thru 47)	(1)
40	43-76-0440	Upper Housing	(1)
41	22-89-0170	Thermal Fuse	(1)
42	-	Circuit Board	(1)
43	43-76-0450	Lower Housing	(1)
44	45-04-0700	Charger Screw	(6)
45	-	Transformer	(1)
46	22-89-0180	Current Fuse	(1)
47	22-64-4475	Cord Set	(1)
48	49-96-0340	10MM Hex Wrench	(1)
49	49-96-7620	Spanner Wrench	(1)
50	49-02-0110	Rip Fence	(1)
51	10-05-1181	Danger Label (Not Shown)	(1)



WIRING SPECIFICATIONS

Wire No.	Wire Color	Origin or Gauge	Length	Terminals, Connectors and 1 or 2 End Wire Preparation.
7	RED/WHITE	BATTERY +	—	23-94-9855 LEAD W/TERMINAL
8	BLK/WHITE	BATTERY -	—	23-94-9850 LEAD W/TERMINAL
10	BLUE/WHITE	MOTOR	—	23-94-9860 LEAD W/TERMINAL