



SERVICE PARTS LIST

BUL.54-40-1511

7-1/4" MITER SAW

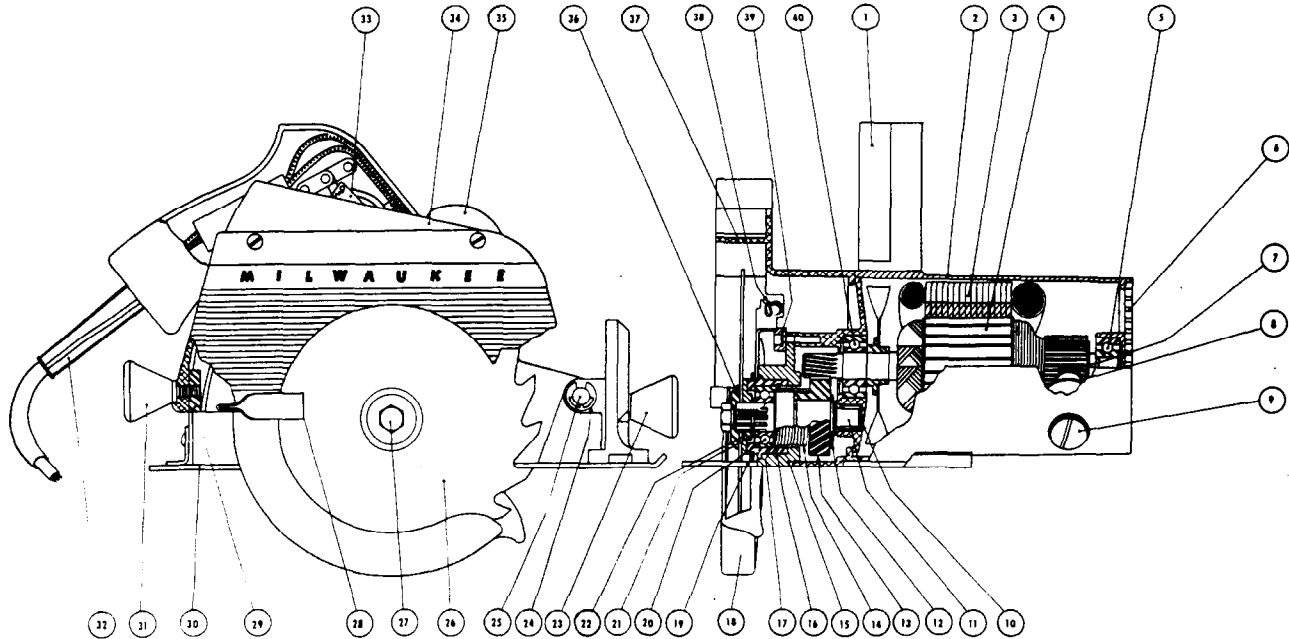
REVISED BUL 6177-2 DATE Feb. '68

Catalog No. 6360

Starting Serial No. 177-7423

WIRING INSTR.

Both Model and Serial No. must be furnished to obtain correct parts.



ILLUSTRATED PARTS

FIG.	PART NO.	DESCRIPTION OF PART	FIG.	PART NO.	DESCRIPTION OF PART
1	28-20-3121	Saw Handle Cover	23	43-98-0070	Miter Plate Adjusting Knob
2	28-50-4721	Saw Body	24	34-60-0800	Pivot Pin Ret. Ring
3	18-82-1085	Field Assembly	25	44-60-0180	Pivot Pin
4	16-82-1300	Armature Assembly	26	48-40-1751	Saw Blade, Combination
5	02-04-1070	Ball Bearing (Comm.)	26A	48-40-2752	Saw Blade, Cross Cut
6	28-39-0201	Air Intake Grill	26B	48-40-8753	Saw Blade, Rip
7	22-18-0095	Carbon Brush Assembly	26C	48-40-5754	Flooring Blade (Nail Cutting)
8	22-22-0065	Brush Holder Assembly	27	06-75-0475	3/8-24x3/4 Hex. Hd. Blade Ret. Cap. Scr.
9	23-44-0050	Brush Retaining Screw Assembly	*28	43-62-0420	Saw Guard Handle
10	02-50-2440	Needle Bearing	29	44-40-0150	Depth Adjusting Nut
11	38-50-3351	Spindle	30	45-16-0120	Saw Shoe Assembly
12	34-60-1600	Spindle Gear Retaining Ring	31	43-98-0080	Depth Adjusting Knob
13	32-75-1821	Spindle Gear Assembly	32	22-64-0080	Cord Set
*14	40-50-3910	Spindle Drive Spring	33	23-66-0300	Switch
15	28-72-6361	Spindle Bearing Plate Assembly	34	28-20-1001	Diaphragm Cover
16	34-80-2500	Spindle Ball Bearing Ret. Ring	35	43-98-0060	Hand Knob
17	45-88-0280	Spindle Drive Spring Washer	36	45-88-0290	Spindle Washer
*18	28-41-0271	Saw Guard Assembly	37	28-28-0861	Diaphragm
19	34-60-2200	Saw Guard Ret. Ring	38	40-50-3700	Saw Guard Spring
20	02-04-1640	Ball Bearing	39	42-38-0070	Saw Guard Bumper
21	34-60-1500	Spindle Retaining Ring	40	02-04-1460	Ball Bearing (Pinion End)
22	43-34-0080	Spindle Flange			

MISCELLANEOUS PARTS NOT SHOWN

PART NO.	DESCRIPTION OF PART	PART NO.	DESCRIPTION OF PART
49-96-6300	9/16 Wrench	*06-81-5800	6-32x5/16 Fil. Hd. Saw Guard Handle Scr. (2)
49-96-6400	1-3/8 Wrench	06-81-3600	8-32x3/8 Oval Hd. Diaphragm Cover Screws
12-98-1200	Name Plate	06-81-3700	8-32x7/8 Oval Hd. Handle Cover Screw
06-81-8200	4-36x3/16 Rd. Hd. Sems Name Plate Screws	06-81-7300	10-24x1-3/4 Fil. Hd. Spindle Brg. Plate Scr.(Sem)
06-81-3450	6-32x5/16 Oval Hd. Air Vent Grill Screws	28-39-0501	Air Vent Grill
06-81-3450	6-22x5/16 Oval Hd. Air Intake Grill Screw	*43-30-0050	Rip Fence
06-81-9000	8-32x3-1/8 Rd. Hd. Field Screws (Sem)	06-87-5000	1/4-20x7/8 Rip Fence Thumb Screw
06-81-7000	10-24x5/8 Fil. Hd. Diaphragm Screws (Sems)	45-88-5240	1/2x17/64x1/32 Miter Plate Adj. Knob Washer
06-81-2700	10-24x1-3/4 Flat Hd. Spindle Brg. Plate Sc.	06-81-6050	8-32x5/16 Fil. Hd. Sem Guard Bumper Screw
06-81-3950	10-24x3/8 Oval Hd. Spindle Brg. Plate Screw	45-88-0240	Depth Adjusting Knob Washer
06-81-3750	8-32x1 Oval Hd. Handle Cover Screws	42-14-0070	Baffle
06-83-2670	1/4-20x1/2 Hd'less Brush Holder Set Scs.	45-36-0190	Baffle Spacer
06-81-5400	8-32x5/16 Binder Hd. Switch Mtg. Scs. (Sems)	45-12-0080	Eye Shield
42-32-0070	Carriage Mitering Plate Bolt	06-81-8200	4-36x3/16 Rd. Hd. Sem Eye Shield Mtg. Scs. (2)
06-81-8625	6-32x1/4 Rd. Hd. Ground Wire Sc. (Brass)(Sem)	48-03-0010	Attachment Plug Adapter
*45-58-0090	Spring Anchor Stud		