

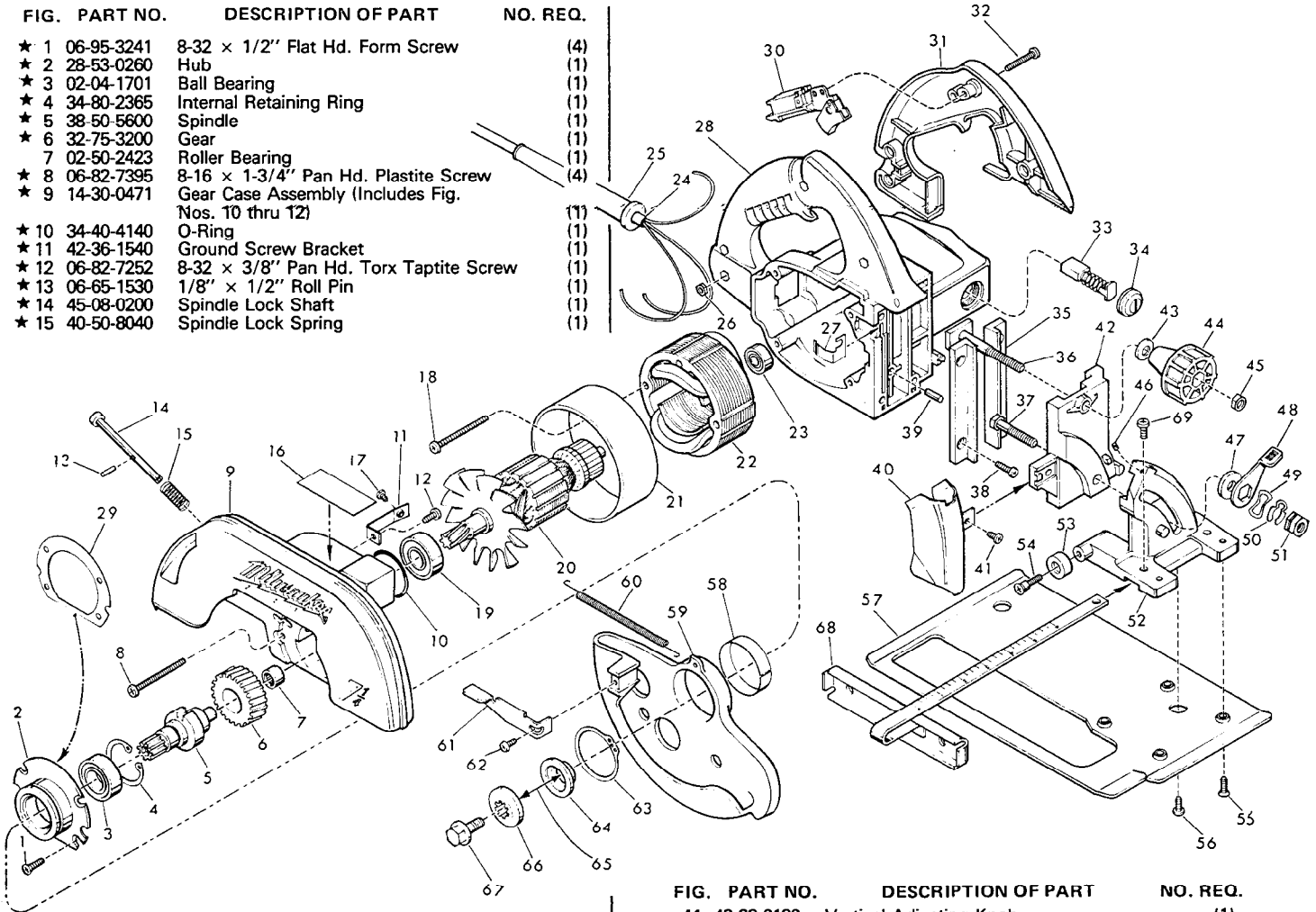


SERVICE PARTS LIST

BULLETIN NO.
54-40-1107

SPECIFY CATALOG NO. AND SERIAL NO. WHEN ORDERING PARTS		REVISED BULLETIN	DATE
7-1/4" CIRCULAR SAW		54-40-1106	Aug. '86
CATALOG NO. 6365	STARTING SERIAL NO. 546-470501	WIRING INSTRUCTION 58-01-0752	

FIG. PART NO.	DESCRIPTION OF PART	NO. REQ.
★ 1 06-95-3241	8-32 x 1/2" Flat Hd. Form Screw	(4)
★ 2 28-53-0260	Hub	(1)
★ 3 02-04-1701	Ball Bearing	(1)
★ 4 34-80-2365	Internal Retaining Ring	(1)
★ 5 38-50-5600	Spindle	(1)
★ 6 32-75-3200	Gear	(1)
★ 7 02-50-2423	Roller Bearing	(1)
★ 8 06-82-7395	8-16 x 1-3/4" Pan Hd. Plastite Screw	(4)
★ 9 14-30-0471	Gear Case Assembly (Includes Fig. Nos. 10 thru 12)	(1)
★ 10 34-40-4140	O-Ring	(1)
★ 11 42-36-1540	Ground Screw Bracket	(1)
★ 12 06-82-7252	8-32 x 3/8" Pan Hd. Torx Taptite Screw	(1)
★ 13 06-65-1530	1/8" x 1/2" Roll Pin	(1)
★ 14 45-08-0200	Spindle Lock Shaft	(1)
★ 15 40-50-8040	Spindle Lock Spring	(1)



★ 16 12-99-0341	Nameplate Blank	(1)
★ 17 06-81-8625	6-32 x 1/4" Ground Screw	(1)
★ 18 06-95-0370	10-24 x 1-3/4" Pan Hd. Swage Form Screw	(2)
★ 19 02-04-1700	Ball Bearing	(1)
★ 20 16-70-0280	120 V. Armature	(1)
★ 21 42-14-0310	Baffle	(1)
★ 22 18-70-0031	120 V. Field	(1)
★ 23 02-04-0850	Ball Bearing	(1)
★ 24 22-64-0790	Cord Set	(1)
★ 25 44-76-0050	Cord Protector	(1)
★ 26 06-55-0835	8-32 Hex Nut	(4)
★ 27 42-70-0230	Ground Clip	(1)
★ 28 31-50-0511	Motor Housing Assy. (Includes 22-20-0350 Brush Inserts	(1)
★ 29 43-44-0800	Gasket	(1)
★ 30 23-66-0167	Switch	(1)
★ 31 31-44-1420	Handle Half - Left	(1)
★ 32 06-82-2362	8-32 x 1" Pan Hd. Slot Torx Screw	(4)
★ 33 22-18-0550	Carbon Brush Assembly	(2)
★ 34 23-44-0160	Brush Retaining Screw	(2)
★ 35 28-72-0049	Vertical Adjusting Plate	(2)
★ 36 45-58-0310	Vertical Adjusting Stud	(1)
★ 37 45-58-0270	Angular Adjusting Stud	(1)
★ 38 06-82-7270	8-16 x 5/8" Slot Plastite Screw	(4)
★ 39 06-65-1580	3/16" x 1/2" Roll Pin	(1)
★ 40 43-54-0545	Front Blade Guard	(1)
★ 41 06-82-7252	8-32 x 3/8" Pan Hd. Torx Taptite Screw	(1)
★ 42 28-10-0760	Vertical Adjusting Bracket	(1)
★ 43 45-88-0660	Adjusting Washer	(1)

FIG. PART NO.	DESCRIPTION OF PART	NO. REQ.
★ 44 43-98-0190	Vertical Adjusting Knob	(1)
★ 45 06-55-1985	5/16 - 18 Hex Nut	(1)
★ 46 06-83-3615	4-40 x 1/4" Socket Set Screw	(1)
★ 47 45-88-0650	Angle Adjusting Washer	(1)
★ 48 44-10-0200	Lever	(1)
★ 49 45-88-0577	Wave Washer	(1)
★ 50 34-60-2330	Klipring	(1)
★ 51 44-40-0460	Adjustment Nut	(1)
★ 52 28-10-0750	Angular Adjustment Bracket	(1)
★ 53 42-38-0220	Rubber Bumper	(1)
★ 54 45-04-0485	10-32 x 13/16 Bumper Screw	(1)
★ 55 06-95-3250	8-32 x 5/8" Flat Hd. Thread Form Screw	(4)
★ 56 06-82-7252	8-32 x 3/8" Pan Hd. Torx Taptite Screw	(1)
★ 57 45-16-0570	Shoe	(1)
★ 58 45-14-0230	Lower Guard Shim	(1)
★ 59 28-41-0910	Lower Guard	(1)
★ 60 40-50-4510	Lower Guard Spring	(1)
★ 61 43-62-0910	Lower Guard Handle	(1)
★ 62 06-82-7252	8-32 x 3/8" Pan Hd. Torx Taptite Screw	(1)
★ 63 34-60-2195	External Retaining Ring	(1)
★ 64 43-34-0560	Inner Flange	(1)
65	7-1/4" Blade (Select From Catalog)	
66	Spindle Washer	(1)
★ 67 06-75-0474	3/8" - 24 x 11/16 Blade Screw	(1)
★ 68 49-22-4150	Rip Fence (Optional) (Incl. Fig. No. 69)	(1)
★ 69 06-95-0335	1/4 - 20 x 1/2" Fil. Hd. Screw	(2)
49-96-6200	9/16" Utility Wrench (Not Shown)	(1)