



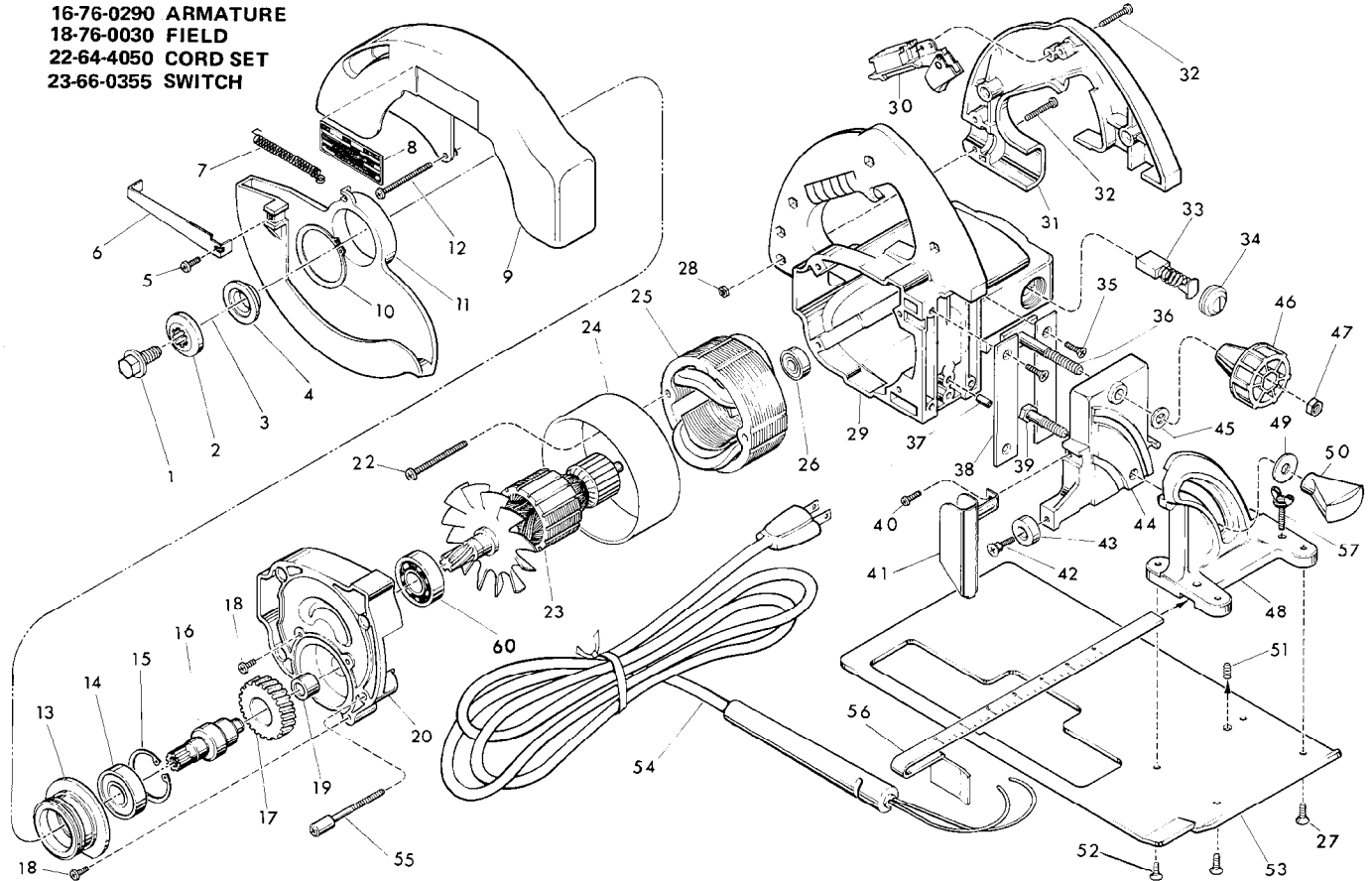
# SERVICE PARTS LIST

**BULLETIN NO.**  
54-40-0123

|  |                                      |   |                   |
|--|--------------------------------------|---|-------------------|
| SPECIFY CATALOG NO. AND SERIAL NO. WHEN ORDERING PARTS |                                      | REVISED BULLETIN<br>54-40-0122          | DATE<br>April '84 |
| <b>D.I. 7-1/4" CIRCULAR SAW</b>                        |                                      |   |                   |
| <b>CATALOG NO.</b> 6367                                | <b>STARTING SERIAL NO.</b> 632-11500 | <b>WIRING INSTRUCTION</b><br>58-01-0750 |                   |

FOR CAT. NO. 6367-2 (240V) TOOL USE:

- 16-76-0290 ARMATURE
- 18-76-0030 FIELD
- 22-64-4050 CORD SET
- 23-66-0355 SWITCH



| FIG. | PART NO. | DESCRIPTION OF PART   | NO. REQ. | FIG. | PART NO.   | DESCRIPTION OF PART                | NO. REQ. |
|------|----------|---|----------|------|------------|------------------------------------|----------|
|      | 1        | 06-75-0474 Blade Screw  | (1)      | 31   | 31-44-0480 | L. H. Handle                       | (1)      |
|      | 2        | 45-88-0286 Spindle Blade Retaining Washer                                 | (1)      | 32   | 06-81-0472 | 8-32x1 Pan Hd. Screw               | (5)      |
|      | 3        | - 7-1/4 Blade (Select From Catalog)                                       | (1)      | 33   | 22-18-0550 | Carbon Brush Assembly              | (2)      |
|      | 4        | 43-34-0251 Spindle Flange   | (1)      | 34   | 23-44-0160 | Brush Retaining Screw              | (2)      |
|      | 5        | 06-95-0211 8-32x3/8 Pan Hd. Screw   | (1)      | 35   | 06-95-3240 | 8-32x3/4 Fl. Hd. Screw             | (4)      |
|      | 6        | 43-62-0660 Lower Guard Handle   | (1)      | 36   | 45-58-0250 | Vertical Adjusting Stud            | (1)      |
|      | 7        | 40-50-3750 Lower Guard Spring   | (1)      | 37   | 06-65-1580 | 3/16x1/2 Lg. Roll Pin              | (1)      |
|      | 8        | 12-99-0355 Nameplate Blank  | (1)      | 38   | 44-66-0650 | Vertical Bracket Plate             | (2)      |
|      | 9        | 28-41-0710 Upper Guard  | (1)      | 39   | 45-58-0240 | Angular Adjusting Stud             | (1)      |
|      | 10       | 34-60-2210 Retaining Ring-External  | (1)      | 40   | 06-95-0211 | 8-32x3/8 Pan Hd. Screw             | (1)      |
|      | 11       | 28-41-0720 Lower Guard  | (1)      | 41   | 43-54-0305 | Front Blade Guard Assembly         | (1)      |
|      | 12       | 06-95-3280 8-16 x 1-5/8 Plastite Pan Hd. Screw                            | (3)      | 42   | 45-04-0485 | Guard Bumper Screw                 | (1)      |
|      | 13       | 43-78-0250 Lower Guard Hub  | (1)      | 43   | 42-38-0075 | Rubber Bumper                      | (1)      |
|      | 14       | 02-04-1748 Ball Bearing   | (1)      | 44   | 28-10-0665 | Vertical Adjusting Bracket         | (1)      |
|      | 15       | 34-80-2960 Retaining Ring-Internal  | (1)      | 45   | 45-88-0660 | Angular Adjusting Washer           | (1)      |
|      | 16       | 38-50-5185 Gear Spindle   | (1)      | 46   | 43-98-0190 | Vertical Adjusting Knob            | (1)      |
| ★    | 17       | 32-75-3210 Spindle Gear   | (1)      | 47   | 06-55-1985 | 5/16-18 Hex Nut                    | (1)      |
|      | 18       | 06-95-0211 8-32x3/8 Pan Hd. Screw   | (4)      | 48   | 28-10-0660 | Angular Adjusting Bracket          | (1)      |
|      | 19       | 02-50-2423 Needle Bearing   | (1)      | 49   | 45-88-0650 | Angular Adjusting Washer           | (1)      |
| ★    | 20       | 14-30-0295 Gear Case Assembly   | (1)      | 50   | 43-98-0240 | Depth Adjusting Knob               | (1)      |
|      | 21       | 10-98-6130 Warning Label (Not Shown)                                      | (1)      | 51   | 06-83-0801 | 8-32x3/8 Hdls. Set Screw           | (1)      |
|      | 22       | 06-95-0370 10-24x1-3/4 Pan Hd. Screw                                      | (2)      | 52   | 06-95-3241 | 8-32x1/2 Fl. Hd. Screw             | (1)      |
| ★    | 23       | 16-70-0290 120V. Armature   | (1)      | 53   | 45-16-0320 | Saw Shoe                           | (1)      |
|      | 24       | 23-16-0691 Field Insulating Sleeve  | (1)      | 54   | 22-64-0780 | Cord Set                           | (1)      |
|      | 25       | 18-70-0030 120V. Field  | (1)      | 55   | 06-95-0267 | Shoulder Screw                     | (1)      |
|      | 26       | 02-04-0850 Ball Bearing   | (1)      | 56   | 49-02-0050 | Rip Fence (Optional)               | (1)      |
|      | 27       | 06-95-3250 8-32x5/8 Flat Hd. Phil. Dr. Screw                              | (3)      | 57   | 06-88-0100 | Wing Screw (Optional)              | (2)      |
|      | 28       | 06-55-0825 8-32 Hex Nut   | (5)      | 58   | 49-96-6200 | 9/16" Wrench (Not Shown)           | (1)      |
|      | 29       | 31-50-0150 Motor Housing Assembly (Includes Two 22-20-0350 Brush Inserts) | (1)      | 59   | 06-97-1700 | Lock Washer For Switch (Not Shown) | (4)      |
|      | 30       | 23-66-0268 Switch   | (1)      | 60   | 02-04-1746 | Ball Bearing                       | (1)      |

**MILWAUKEE ELECTRIC TOOL CORPORATION**  
13135 W. LISBON RD., BROOKFIELD, WIS. 53005