

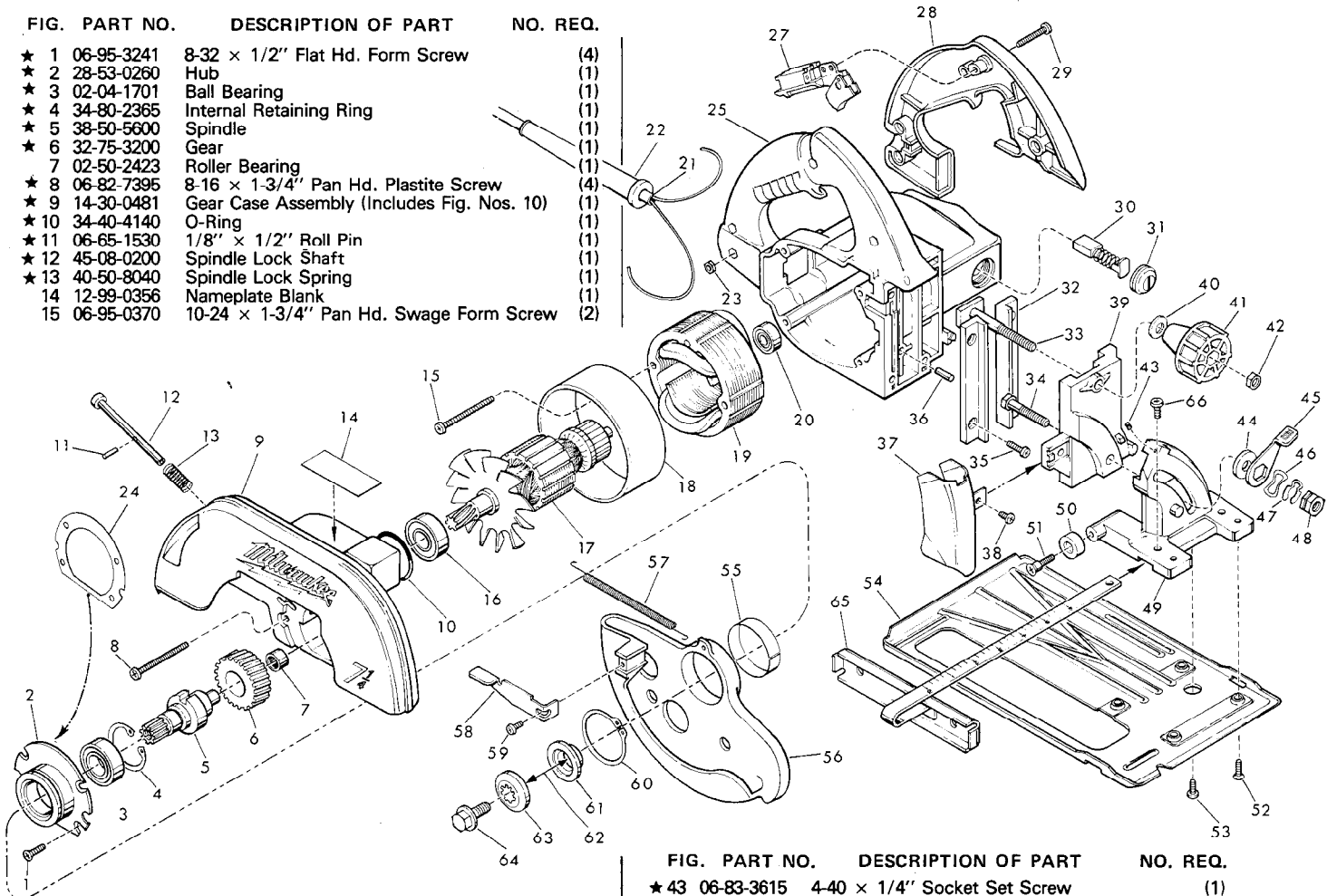


SERVICE PARTS LIST

BULLETIN NO.
54-40-0124

SPECIFY CATALOG NO. AND SERIAL NO. WHEN ORDERING PARTS		REVISED BULLETIN 54-40-0123	DATE Aug. '86
D.I. 7-1/4" CIRCULAR SAW			
CATALOG NO. 6367	STARTING SERIAL NO. 632-18900	WIRING INSTRUCTION 58-01-0752	

FIG.	PART NO.	DESCRIPTION OF PART	NO. REQ.
★	1	06-95-3241 8-32 × 1/2" Flat Hd. Form Screw	(4)
★	2	28-53-0260 Hub	(1)
★	3	02-04-1701 Ball Bearing	(1)
★	4	34-80-2365 Internal Retaining Ring	(1)
★	5	38-50-5600 Spindle	(1)
★	6	32-75-3200 Gear	(1)
	7	02-50-2423 Roller Bearing	(1)
★	8	06-82-7395 8-16 × 1-3/4" Pan Hd. Plastite Screw	(4)
★	9	14-30-0481 Gear Case Assembly (Includes Fig. Nos. 10)	(1)
★	10	34-40-4140 O-Ring	(1)
★	11	06-65-1530 1/8" × 1/2" Roll Pin	(1)
★	12	45-08-0200 Spindle Lock Shaft	(1)
★	13	40-50-8040 Spindle Lock Spring	(1)
★	14	12-99-0356 Nameplate Blank	(1)
★	15	06-95-0370 10-24 × 1-3/4" Pan Hd. Swage Form Screw	(2)



★	16	02-04-1700 Ball Bearing	(1)
★	17	16-70-0280 120 V. Armature	(1)
★	18	42-14-0310 Baffle	(1)
★	19	18-70-0031 120 V. Field	(1)
★	20	02-04-0850 Ball Bearing	(1)
★	21	22-64-0785 Cord Set	(1)
★	22	44-76-0050 Cord Protector	(1)
★	23	06-55-0835 8-32 Hex Nut	(4)
★	24	43-44-0800 Gasket	(1)
★	25	31-50-0511 Motor Housing Assy. (Includes 22-20-0350 Brush Inserts)	(1)
	26	49-96-6200 9/16" Utility Wrench (Not Shown)	(1)
★	27	23-66-0167 Switch	(1)
★	28	31-44-1420 Handle Half - Left	(1)
★	29	06-82-2362 8-32 × 1" Pan Hd. Slot Torx Screw	(1)
★	30	22-18-0550 Carbon Brush Assembly	(2)
★	31	23-44-0160 Brush Retaining Screw	(2)
★	32	28-72-0049 Vertical Adjusting Plate	(2)
★	33	45-58-0310 Vertical Adjusting Stud	(1)
★	34	45-58-0270 Angular Adjusting Stud	(1)
★	35	06-82-7270 8-16 × 5/8" Slot Plastite Screw	(4)
★	36	06-65-1580 3/16" × 1/2" Roll Pin	(1)
★	37	43-54-0545 Front Blade Guard	(1)
★	38	06-82-7252 8-32 × 3/8" Pan Hd. Torx Taptite Screw	(1)
★	39	28-10-0760 Vertical Adjusting Bracket	(1)
	40	45-88-0660 Adjusting Washer	(1)
	41	43-98-0190 Vertical Adjusting Knob	(1)
	42	06-55-1985 5/16 - 18 Hex Nut	(1)

FIG.	PART NO.	DESCRIPTION OF PART	NO. REQ.
★	43	06-83-3615 4-40 × 1/4" Socket Set Screw	(1)
★	44	45-88-0650 Angle Adjusting Washer	(1)
★	45	44-10-0200 Lever	(1)
★	46	45-88-0577 Wave Washer	(1)
★	47	34-60-2330 Klipping	(1)
★	48	44-40-0460 Adjustment Nut	(1)
★	49	28-10-0750 Angular Adjustment Bracket	(1)
★	50	42-38-0221 Rubber Bumper	(1)
	51	45-04-0485 10-32 × 13/16 Bumper Screw	(1)
★	52	06-95-3241 8-32 × 1/2" Flat Hd. Thread Form Screw	(4)
★	53	06-82-7252 8-32 × 3/8" Pan Hd. Torx Taptite Screw	(1)
★	54	45-16-0541 Shoe	(1)
★	55	45-14-0230 Lower Guard Shim	(1)
★	56	28-41-0910 Lower Guard	(1)
★	57	40-50-4510 Lower Guard Spring	(1)
★	58	43-62-0910 Lower Guard Handle	(1)
★	59	06-82-7252 8-32 × 3/8" Pan Hd. Torx Taptite Screw	(1)
★	60	34-60-2195 External Retaining Ring	(1)
★	61	43-34-0560 Inner Flange	(1)
	62	— 7-1/4" Blade (Select From Catalog)	(1)
	63	45-88-0286 Spindle Washer	(1)
★	64	06-75-0477 3/8" - 24 × 11/16 Blade Screw	(1)
★	65	49-22-4150 Rip Fence (Optional) (Incl. Fig. No. 66)	(1)
★	66	06-95-0335 1/4 - 20 × 1/2" Fil. Hd. Screw	(2)