



SERVICE PARTS LIST

BULLETIN NO.
54-40-0125

SPECIFY CATALOG NO. AND SERIAL NO. WHEN ORDERING PARTS		REVISED BULLETIN 54-40-0124	DATE July '89
D.I. 7-1/4" CIRCULAR SAW			
CATALOG NO. 6367	STARTING SERIAL NO. 632-29572	WIRING INSTRUCTION 58-01-0752	

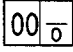
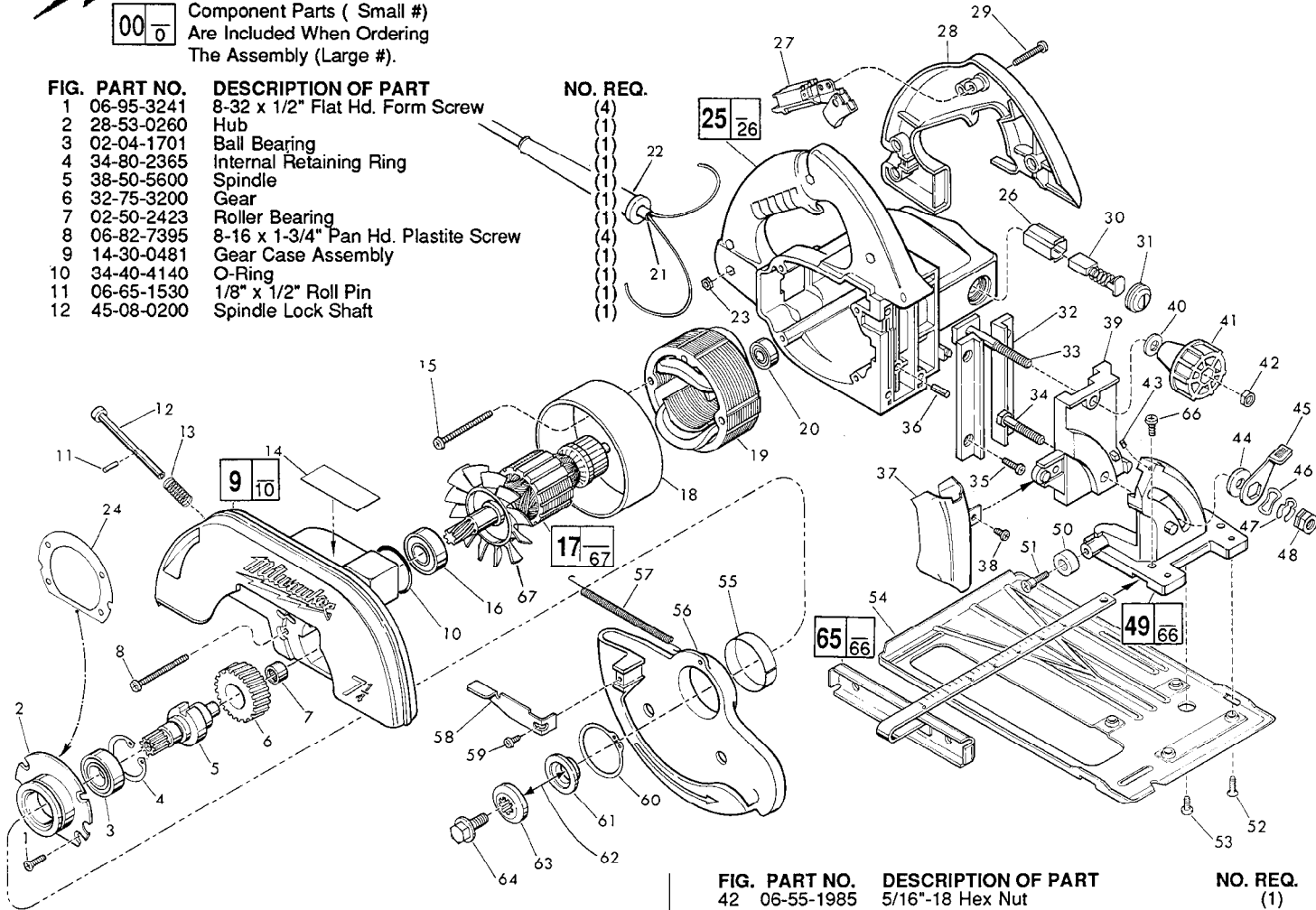
EXAMPLE:
 Component Parts (Small #)
 Are Included When Ordering
 The Assembly (Large #).

FIG. PART NO.	DESCRIPTION OF PART	NO. REQ.	
1	06-95-3241	8-32 x 1/2" Flat Hd. Form Screw	(4)
2	28-53-0260	Hub	(1)
3	02-04-1701	Ball Bearing	(1)
4	34-80-2365	Internal Retaining Ring	(1)
5	38-50-5600	Spindle	(1)
6	32-75-3200	Gear	(1)
7	02-50-2423	Roller Bearing	(1)
8	06-82-7395	8-16 x 1-3/4" Pan Hd. Plastite Screw	(4)
9	14-30-0481	Gear Case Assembly	(1)
10	34-40-4140	O-Ring	(1)
11	06-65-1530	1/8" x 1/2" Roll Pin	(1)
12	45-08-0200	Spindle Lock Shaft	(1)



13	40-50-8040	Spindle Lock Spring	(1)
★ 14	12-99-0358	Nameplate Blank	(1)
15	06-95-0370	10-24 x 1-3/4" Pan Hd. Swage Form Screw	(2)
16	02-04-1700	Ball Bearing	(1)
★ 17	16-70-0281	120 V Armature	(1)
18	42-14-0310	Baffle	(1)
19	18-70-0031	120 V Field	(1)
20	02-04-0850	Ball Bearing	(1)
21	22-64-0785	Cord Set	(1)
22	44-76-0050	Cord Protector	(1)
23	06-55-0835	8-32 Hex Nut	(4)
24	43-44-0800	Gasket	(1)
25	31-50-0511	Motor Housing Assembly	(1)
26	22-20-0350	Brush Insert	(2)
27	23-66-0167	Switch	(1)
28	31-44-1420	Handle Half-Left	(1)
29	06-82-2362	8-32 x 1" Pan Hd. Slot. Torx Screw	(4)
30	22-18-0550	Carbon Brush Assembly	(2)
31	23-44-0160	Brush Retaining Screw	(2)
32	28-72-0049	Vertical Adjusting Plate	(2)
33	45-58-0310	Vertical Adjusting Stud	(1)
34	45-58-0270	Angular Adjusting Stud	(1)
35	06-82-7270	8-16 x 5/8" Slot. Torx Plastite Screw	(4)
36	06-65-1580	3/16" x 1/2" Roll Pin	(1)
★ 37	43-54-0546	Front Blade Guard	(1)
38	06-82-7252	8-32 x 3/8" Pan Hd. Torx Taptite Screw	(1)
★ 39	28-10-0800	Vertical Adjusting Bracket	(1)
40	45-88-0660	Adjusting Washer	(1)
41	43-98-0190	Vertical Adjusting Knob	(1)

FIG. PART NO.	DESCRIPTION OF PART	NO. REQ.	
42	06-55-1985	5/16"-18 Hex Nut	(1)
43	06-83-3615	4-40 x 1/4" Socket Set Screw	(1)
44	45-88-0650	Angle Adjusting Washer	(1)
45	44-10-0200	Lever	(1)
46	45-88-0577	Wave Washer	(1)
47	34-60-2330	Klipring	(1)
48	44-40-0460	Adjustment Nut	(1)
★ 49	28-10-0791	Angular Adjustment Bracket Assembly	(1)
50	42-38-0221	Rubber Bumper	(1)
51	45-04-0485	10-32 x 13/16" Bumper Screw	(1)
★ 52	06-95-3250	8-32 x 5/8" Flat Hd. Thread Form Screw	(4)
53	06-82-7252	8-32 x 3/8" Pan Hd. Torx Taptite Screw	(1)
54	45-16-0541	Shoe	(1)
55	45-14-0230	Lower Guard Shim	(1)
★ 56	28-41-0912	Lower Guard	(1)
57	40-50-4510	Lower Guard Spring	(1)
58	43-62-0910	Lower Guard Handle	(1)
59	06-82-7252	8-32 x 3/8" Pan Hd. Torx Taptite Screw	(1)
60	34-60-2195	External Retaining Ring	(1)
61	43-34-0560	Inner Flange	(1)
62	-----	7-1/4" Blade	(1)
63	45-88-0286	Spindle Washer	(1)
★ 64	06-75-0474	3/8"-24 x 11/16" Blade Screw	(1)
65	49-22-4150	Rip Fence (Optional)	(1)
66	06-95-0335	1/4"-20 x 1/2" Fil. Hd. Screw	(2)
★ 67	22-84-0655	Fan Assembly	(1)
	49-96-6200	9/16" Utility Wrench	(1)

FIG. LUBRICATION
 9 3/4 Oz. Type "O" Grease, No. 49-08-4200.

MILWAUKEE ELECTRIC TOOL CORPORATION
 13135 W. LISBON RD., BROOKFIELD, WI 53005