



SERVICE PARTS LIST

BULLETIN NO.
55-40-1954

SPECIFY CATALOG NO. AND SERIAL NO. WHEN ORDERING PARTS		REVISED BULLETIN 55-40-1953	DATE Sept. '98
WORM DRIVE SAW			
CATALOG NO.	6378-4	STARTING SERIAL NO.	621A
		WIRING INSTRUCTION 58-03-0601	

EXAMPLE:
00 0 Component Parts (Small #) Are Included
When Ordering The Assembly (Large #).

FIG. NOTES

- 75 Use red loctite to assemble to motor housing.
- 32 Flat side of seal toward bearing. Replace if removed from gear case.

FIG. LUBRICATION

- 35 1/2 to 3/4 oz. Worm Drive Oil, No. 49-32-0050. Align "U" notch in locking collar to be visible through oil fill hole before filling.

- 31,32, Lubricate with worm drive oil
- 61,62 prior to assembly.

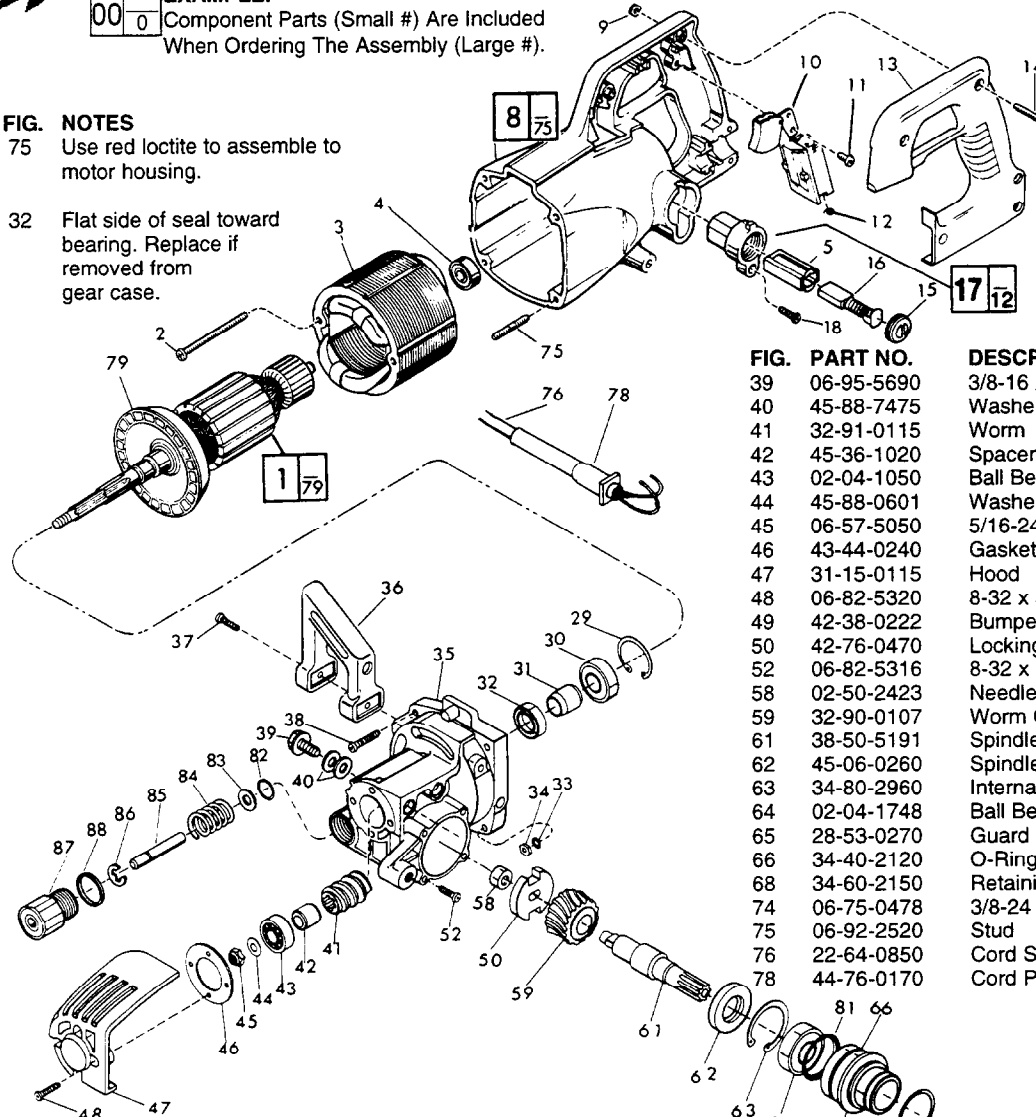


FIG. PART NO.

FIG. PART NO.	DESCRIPTION OF PART	NO. REQ.
39	06-95-5690	3/8-16 x 1/2" Washer Hd. Hex Screw (1)
40	45-88-7475	Washer (2)
41	32-91-0115	Worm (1)
42	45-36-1020	Spacer (1)
43	02-04-1050	Ball Bearing (1)
44	45-88-0601	Washer (1)
45	06-57-5050	5/16-24 Lock Nut (1)
46	43-44-0240	Gasket (1)
47	31-15-0115	Hood (1)
48	06-82-5320	8-32 x 5/8" Pan Hd. T-20 (4)
49	42-38-0222	Bumper (1)
50	42-76-0470	Locking Collar (1)
52	06-82-5316	8-32 x 1/2" Pan Hd. T-20 (4)
58	02-50-2423	Needle Bearing (1)
59	32-90-0107	Worm Gear (1)
61	38-50-5191	Spindle (1)
62	45-06-0260	Spindle Seal (1)
63	34-80-2960	Internal Retaining Ring (1)
64	02-04-1748	Ball Bearing (1)
65	28-53-0270	Guard Hub (1)
66	34-40-2120	O-Ring (1)
68	34-60-2150	Retaining Ring (1)
74	06-75-0478	3/8-24 L.H. Blade Screw (Long) (1)
75	06-92-2520	Stud (1)
76	22-64-0850	Cord Set (1)
78	44-76-0170	Cord Protector (1)

FIG. PART NO.	DESCRIPTION OF PART	NO. REQ.
1	16-74-0171	220 Volt Armature (1)
2	06-82-7375	8-16 x 2-1/2" Pan Hd. Plastite T-20 (2)
3	18-74-0141	220 Volt Field (1)
4	02-04-0850	Ball Bearing (1)
5	22-20-0360	Brush Tube (2)
8	31-50-0226	Motor Housing Assembly (1)
9	06-55-0835	8-32 Hex Nut (5)
10	23-66-1817	Switch Service Kit (1)
★11	06-82-7251	8-16 x 3/8" Pan Hd. T-20 (1)
12	06-97-1800	Switch Lockwasher (1)
13	31-44-1106	Left Handle Half (4)
★14	06-82-2362	8-32 x 1" Pan Hd. Slit. T-20 (5)
15	23-44-0140	Brush Retaining Screw (2)
16	22-18-0730	Carbon Brush Assembly (2)
17	22-24-0286	Brush Holder Assembly (2)
18	06-82-7270	8-32 x 5/8" Pan Hd. T-20 (2)
★29	34-80-2365	Internal Retaining Ring (1)
30	02-04-1536	Ball Bearing (1)
31	45-36-1010	Worm Spacer (1)
32	45-06-0280	Armature Seal (1)
33	06-97-2200	No. 10 Lockwasher (1)
34	06-55-1000	10-24 Hex Nut (1)
35	28-14-1418	Gear Case (1)
36	31-44-0600	Top Handle (1)
★37	06-82-5320	8-32 x 5/8" Pan Hd. T-20 (2)
38	06-82-7224	10-14 x 1" Pan Hd. Plastite T-25 (3)

65	68	74
79	22-84-0700	Fan (1)
★81	34-40-1550	O-Ring (1)
★82	34-40-0226	O-Ring (2)
83	45-88-0610	Washer (1)
84	40-50-8325	Spring (1)
85	45-08-0300	Lockshaft (1)
86	34-60-0525	Retaining Ring (1)
87	44-40-0650	Spindle Lock Nut (1)
★88	45-88-7476	Washer (1)
	05-89-0045	Switch Terminal Screw (4)
	22-33-0305	Suppressor (1)
	43-62-0880	Side Handle (1)

FIG. NOTES

- 63 Sharp edge towards bearing.
- 82 Place in groove in gear case.
- 45 Replace if nut can be threaded on by hand.

MILWAUKEE ELECTRIC TOOL CORPORATION
13135 W. LISBON RD., BROOKFIELD, WI 53005