



EXAMPLE:
Component Parts
(Small #) Are Included
When Ordering
The Assembly
(Large #).

00
0

SERVICE PARTS LIST

BULLETIN NO.
54-40-0170

SPECIFY CATALOG NO. AND SERIAL NO. WHEN ORDERING PARTS		REVISED BULLETIN	DATE
8-1/4" SAW MOTOR O.E.M.			May '89
CATALOG NO.	6410	STARTING SERIAL NO.	771-1001
		WIRING INSTRUCTION 58-01-0750	

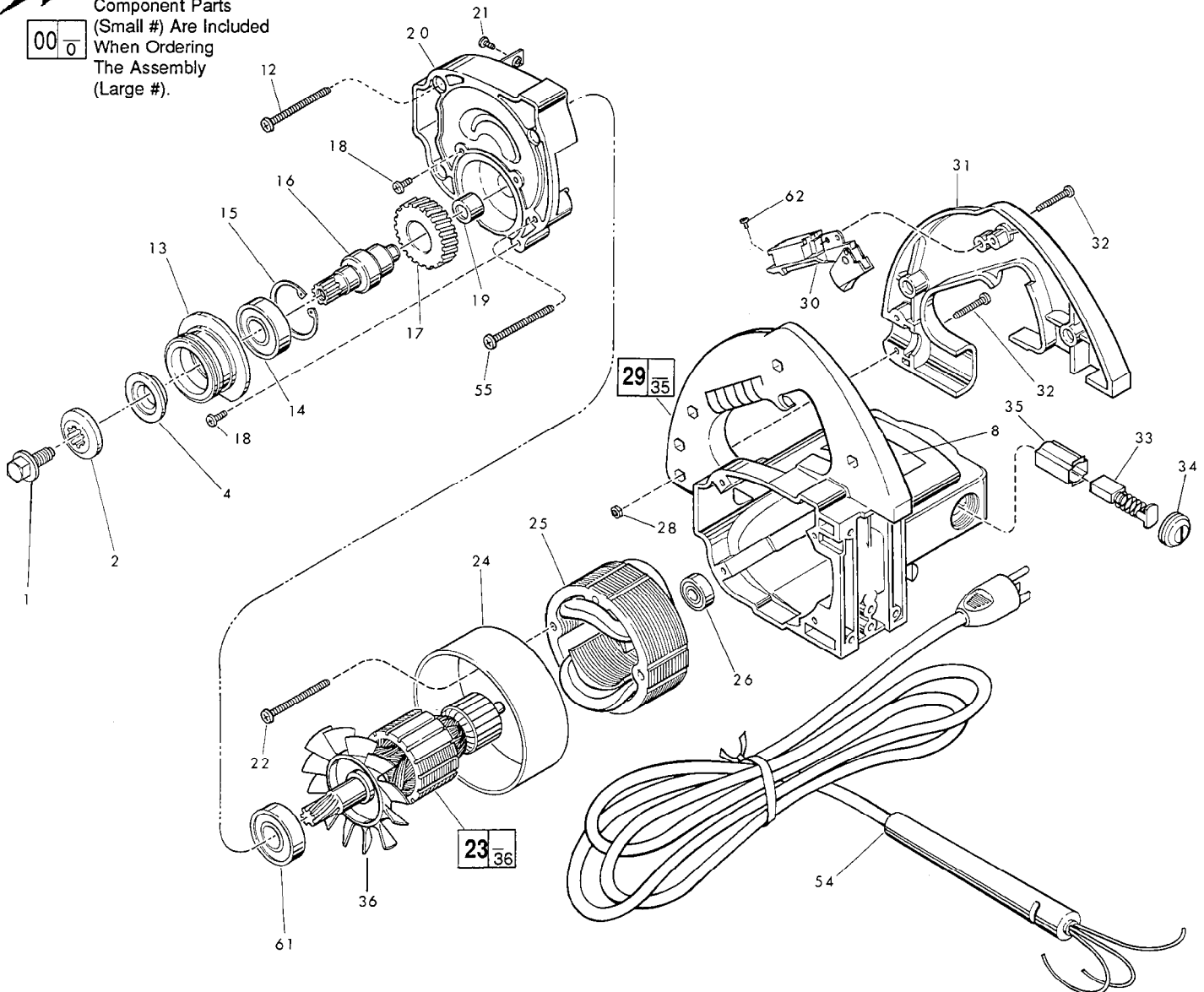


FIG.	PART NO.	DESCRIPTION OF PART	NO. REQ.
1	06-75-0474	Blade Screw	(1)
2	45-88-0286	Spindle Blade Retaining Washer	(1)
4	43-34-0540	Spindle Flange	(1)
8	12-99-0780	Nameplate Blank	(1)
12	06-95-3270	8-16 x 1" Plast. Pan Hd. Screw	(3)
13	43-78-0250	Lower Guard Hub	(1)
14	02-04-1748	Ball Bearing	(1)
15	34-80-2960	Retaining Ring-Internal	(1)
16	38-50-1075	Gear Spindle	(1)
17	32-75-3210	Spindle Gear	(1)
18	06-82-7252	8-32 x 3/8" Pan Hd. Slit. Tapt. Torx Screw	(4)
19	02-50-2423	Needle Bearing	(2)
20	14-30-0280	Gear Case Assembly	(1)
21	06-81-8625	6-32 x 1/4" Ground Screw	(1)
22	06-95-0370	10-24 x 1-3/4" Pan Hd. Screw	(2)
23	16-70-0291	120 V. Armature	(1)
24	23-16-0691	Field Insulating Sleeve	(1)
25	18-70-0030	120 V. Field	(1)
26	02-04-0850	Ball Bearing	(1)
28	06-55-0835	Hex Nut	(5)

FIG.	PART NO.	DESCRIPTION OF PART	NO. REQ.
29	31-50-0150	Motor Housing Assy.	(1)
30	23-66-1800	Switch	(1)
31	31-44-0481	L.H. Handle	(1)
32	06-82-2362	8-32 x 1" Slit. Pan Hd. Torx Screw	(5)
33	22-18-0550	Carbon Brush Assembly	(2)
34	23-44-0160	Brush Retaining Screw	(2)
35	22-20-0350	Brush Insert	(2)
36	22-84-0655	Fan Assembly	(1)
54	22-64-0126	Cord Set	(1)
55	06-82-7382	8-16 x 1-5/8" Pan Hd. Plast. Torx Screw	(1)
58	49-96-6200	9/16" Wrench (Not Shown)	(1)
61	02-04-1748	Ball Bearing	(1)
62	05-78-0305	Switch Screw	(4)

FIG. LUBRICATION

20 1/2 Oz. Type "O" Grease, Cat. No. 49-08-4200.

MILWAUKEE ELECTRIC TOOL CORPORATION
13135 W. LISBON RD., BROOKFIELD, WI 53005