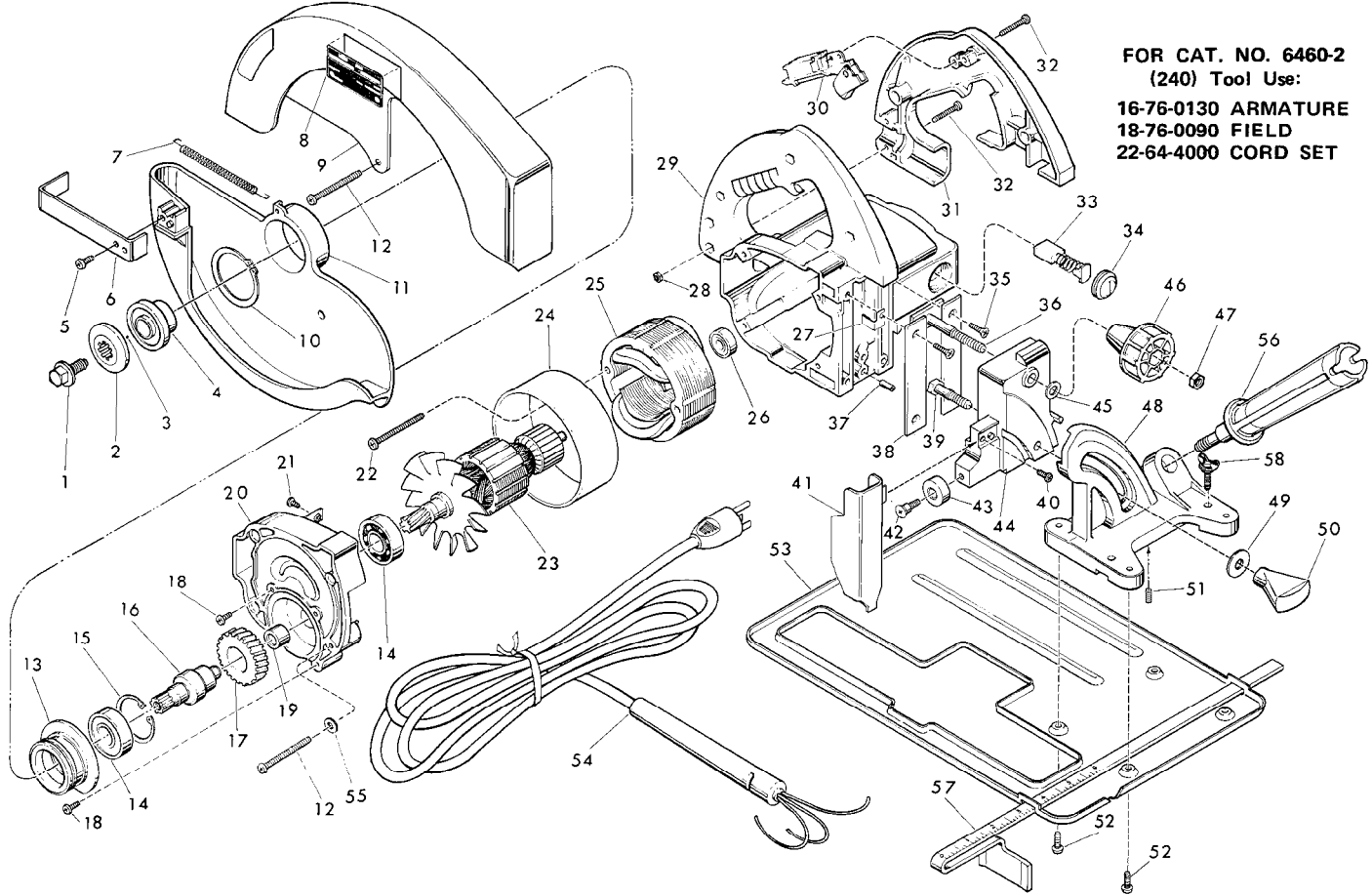




SERVICE PARTS LIST

BULLETIN NO.
54-40-1120

SPECIFY CATALOG NO. AND SERIAL NO. WHEN ORDERING PARTS		REVISED BULLETIN	DATE
10-1/4" CIRCULAR SAW			March '80
CATALOG NO. 6460	STARTING SERIAL NO. 607-1001	WIRING INSTRUCTION	
		58-01-0750	



FOR CAT. NO. 6460-2
(240) Tool Use:
16-76-0130 ARMATURE
18-76-0090 FIELD
22-64-4000 CORD SET

FIG. PART NO.	DESCRIPTION OF PART	NO. REQ.
1	06-75-0474 Blade Screw	(1)
2	45-88-7420 Spindle Blade Retaining Washer	(1)
3	— 10-1/4 Blade (Select From Catalog)	(1)
4	43-34-0260 Spindle Flange	(1)
5	06-95-0210 8-32x3/8 Pan Hd. Screw	(1)
6	43-62-0705 Lower Guard Handle	(1)
7	40-50-7750 Lower Guard Spring	(1)
8	12-99-0095 Nameplate Blank	(1)
9	28-41-0671 Upper Guard	(1)
10	34-60-2210 Retaining Ring-External	(1)
11	28-41-0665 Lower Guard	(1)
12	06-95-3280 8-16x1-5/8 Plastite Pan Hd. Screw	(4)
13	43-78-0280 Lower Guard Hub	(1)
14	02-04-1746 Ball Bearing	(2)
15	34-80-2960 Retaining Ring-Internal	(1)
16	38-50-5175 Gear Spindle	(1)
17	32-75-2790 Spindle Gear	(1)
18	06-95-0211 8-32x3/8 Pan Hd. Screw	(4)
19	02-50-2423 Needle Bearing	(1)
20	14-30-0290 Gear Case Assembly	(1)
21	06-81-8800 8-32x1/4 Ground Screw	(1)
22	06-95-0395 10-24x2-1/2 Pan Hd. Screw	(2)
23	16-70-0130 120v Armature	(1)
24	23-16-0691 Field Insulating Sleeve	(1)
25	18-70-0090 120V. Field	(1)
26	02-04-0850 Ball Bearing	(1)
27	42-70-0200 Ground Clip	(1)
28	06-55-0825 8-32 Hex Nut	(5)
29	31-50-0150 Motor Housing Assembly	(1)
30	23-66-0355 Switch	(1)
31	31-44-0480 L.H. Handle	(1)

FIG. PART NO.	DESCRIPTION OF PART	NO. REQ.
32	06-81-0472 8-32x1 Pan Hd. Screw	(5)
33	22-18-0550 Carbon Brush Assembly	(2)
34	23-44-0160 Brush Retaining Screw	(2)
35	06-95-3240 8-32x3/4 Fl. Hd. Screw	(4)
36	45-58-0260 Vertical Adjusting Stud	(1)
37	06-65-1580 3/16x1/2 Lg. Roll Pin	(1)
38	44-66-5320 Vertical Bracket Plate	(2)
39	45-58-0270 Angular Adjusting Stud	(1)
40	06-95-0210 8-32x3/8" Pan Hd. Screw	(1)
41	43-54-0360 Front Blade Guard Assembly	(1)
42	45-04-0485 Guard Bumper Screw	(1)
43	42-38-0075 Rubber Bumper	(1)
44	28-10-0650 Vertical Adjusting Bracket	(1)
45	45-88-0660 Angular Adjusting Washer	(1)
46	43-98-0190 Vertical Adjusting Knob	(1)
47	06-55-1985 5/16-18 Hex Nut	(1)
48	28-10-0640 Angular Adjusting Bracket	(1)
49	45-88-0650 Angular Adjusting Washer	(1)
50	43-98-0110 Adjusting Knob	(1)
51	06-83-0800 8-32x3/8 Hdls. Set Screw	(1)
52	06-95-0212 8-32x1/2 Pan Hd. Phil. Dr. Screw	(4)
53	45-16-0385 Saw Shoe	(1)
54	22-64-0075 Cord Set	(1)
55	45-88-0570 Washer	(1)
56	43-62-0555 Side Handle	(1)
57	49-02-0080 Rip Fence	(1)
58	06-88-0110 1/4-20x3/4 Wing Screw	(2)
59	49-96-6200 9/16" Wrench (Not Shown)	(1)
60	12-98-7082 Caution Plate (Not Shown)	(1)
61	06-97-1800 Switch Lockwasher (Not Shown)	(4)