

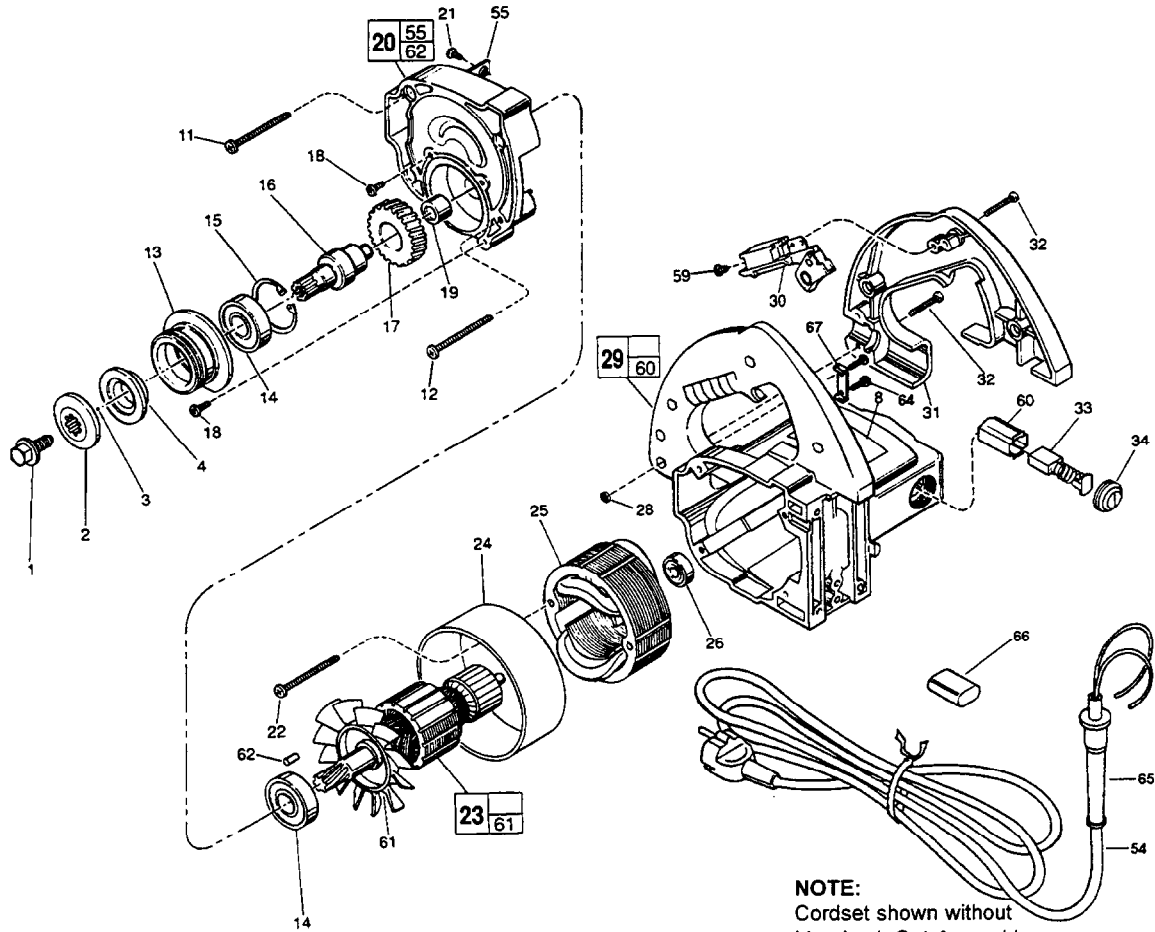


SERVICE PARTS LIST

BULLETIN NO.
55-40-0180

SPECIFY CATALOG NO. AND SERIAL NO. WHEN ORDERING PARTS		REVISED BULLETIN	DATE
O. E. M. SAW MOTOR			June '98
CATALOG NO. 6465-68	STARTING SERIAL NUMBER 974A	WIRING INSTRUCTION 58-03-0765	

EXAMPLE:
Component Parts (Small #)
Are Included When Ordering
The Assembly (Large #).



NOTE:
Cordset shown without
Line Lock-Out Assembly

FIG.	PART NO.	DESCRIPTION OF PART	QTY
1	06-75-0477	Blade Screw	(1)
2	45-88-0286	Spindle Blade Retaining Washer	(1)
3		Blade	(1)
4	43-34-0540	Spindle Flange	(1)
8	12-20-0155	Nameplate Kit	(1)
11	06-95-3270	8-16 x 1" Pan Hd. Screw	(3)
12	06-82-7382	8-16 x 1-5/8" Pan Hd. Plastite T-20	(1)
13	43-78-0250	Lower Guard Hub	(1)
14	02-04-1748	Ball Bearing	(2)
15	34-80-2960	Retaining Ring - Internal	(1)
16	38-50-1075	Gear Spindle	(1)
17	32-75-2790	Spindle Gear	(1)
18	06-82-7252	8-32 x 3/8" Pan Hd. Slit. Tapite T-20	(4)
19	02-50-2423	Needle Bearing	(1)
20	14-30-0295	Gear Case Assembly	(1)
22	06-82-7375	8-16 x 2-1/4" Pan Hd. Plastite T-20	(2)
23	16-76-0130	Armature	(1)
24	23-16-0691	Field Insulating Sleeve	(1)
25	18-76-0090	Field	(1)
26	02-04-0850	Ball Bearing	(1)
28	06-55-0835	8-32 Hex Nut	(5)
29	31-50-0153	Motor Housing Assembly	(1)

FIG.	PART NO.	DESCRIPTION OF PART	QTY
30	23-66-2090	Switch	(1)
31	31-44-0481	L.H. Handle	(1)
32	06-82-2362	8-32 x 1" Pan Hd. Slit. T-20	(5)
33	22-18-0147	Carbon Brush Assembly	(2)
34	23-44-0160	Brush Retaining Screw	(2)
54	22-06-0040	Line Lock-Out Cord Assembly	(1)
59	05-89-0045	Switch Screw	(4)
60	22-20-0350	Brush Insert	(2)
61	22-84-0655	Fan Assembly	(1)
62	45-30-0110	Ball Bearing Retaining Slug	(1)
64	06-81-5850	6-32 x 5/8" Pan Hd. Slit. Screw	(2)
65	44-76-0210	Cord Protector	(1)
66	22-33-0456	Suppressor Assembly	(1)
67	42-68-0210	Cord Clamp	(1)
---	06-38-0020	Threaded Insert (not shown)	(2)
---	49-96-6205	9/16" Wrench	(1)

FIG. LUBRICATION

20 49-08-4200 1/2 oz. Type "O" Grease

MILWAUKEE ELECTRIC TOOL CORPORATION
13135 W. Lisbon Road, Brookfield, WI 53005
Drwg. 1