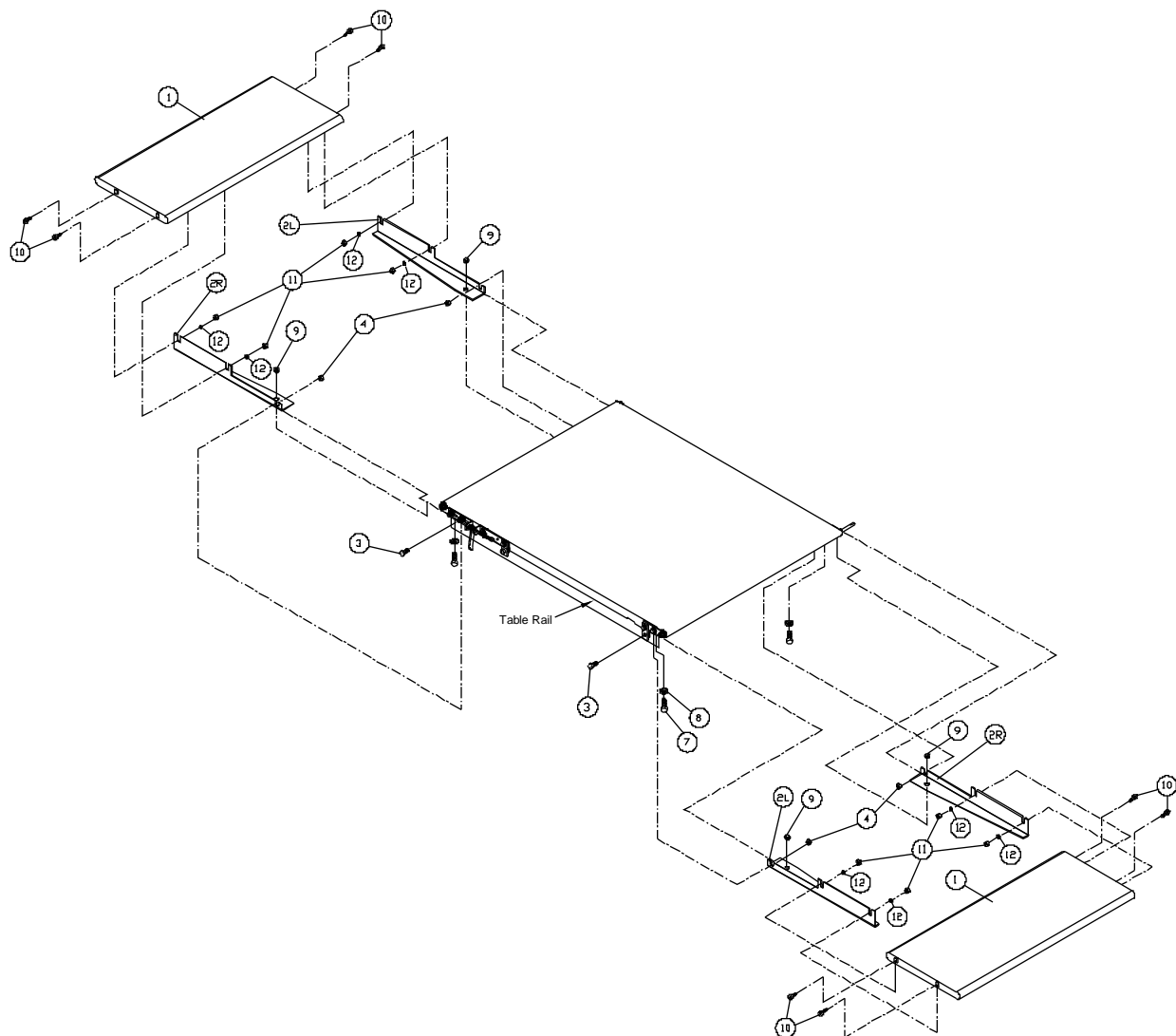


## Infeed and Outfeed Tables

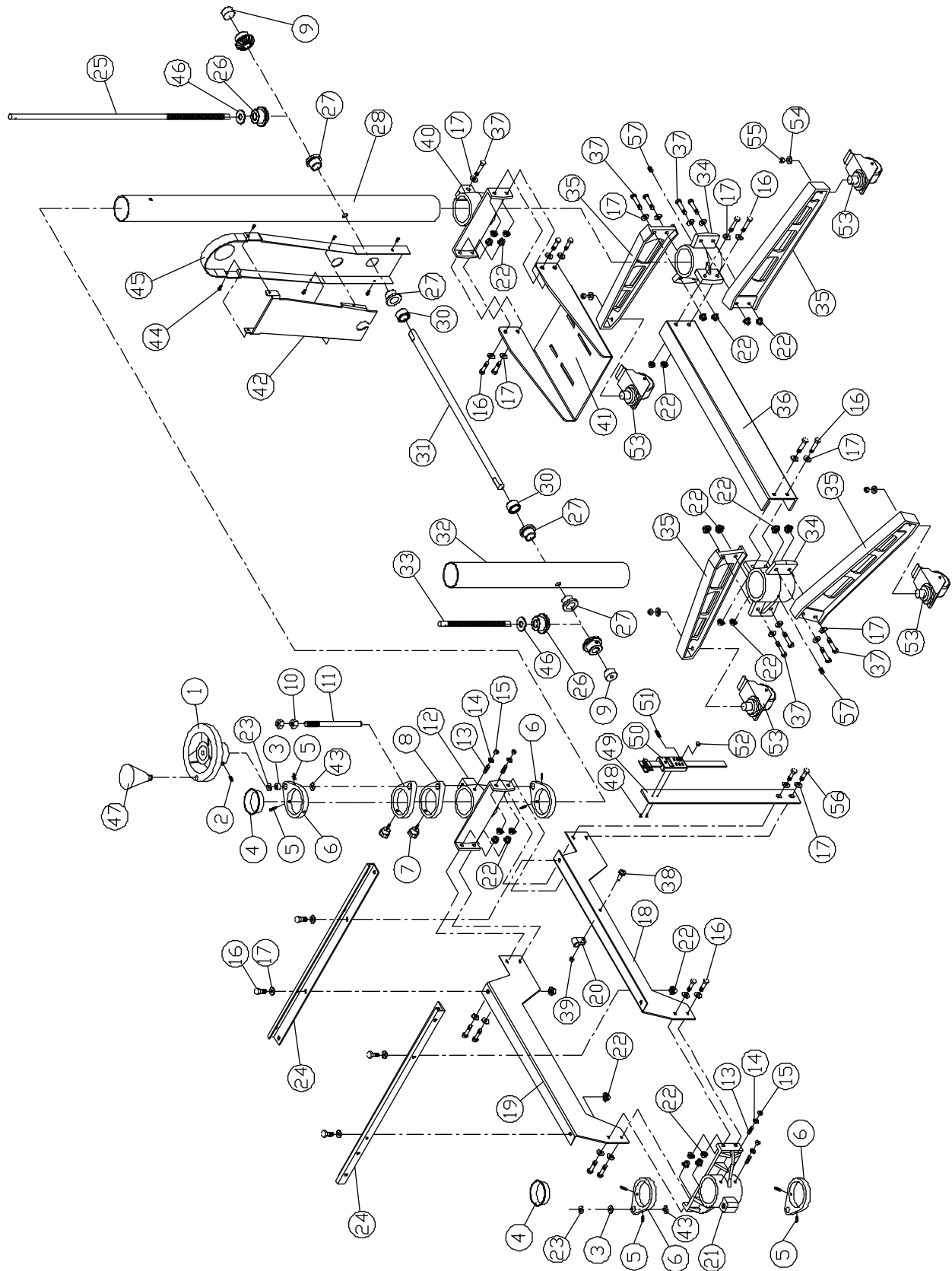
Index No.	Part No.	Description	Size	Qty
1	40-0329	Infeed/Outfeed Table		2
2L	40-0327	Mounting Bracket (LH)		2
2R	40-0328	Mounting Bracket (RH)		2
3	TS-0081031	Hex Cap Screw	5/16"-18x3/4"	4
4	12-0152	Square Nut	5/16"-18	4
7	TS-0060051	Hex Cap Screw	3/8"-16x1"	4
8	11-9103	Hardened Flat Washer	3/8"	4
9	12-0209	Flanged Lock Nut	3/8"-16	4
10	TS-0151011	Carriage Bolt	1/4"-20x3/4"	8
11	TS-0561011	Hex Nut	1/4"-20	8
12	TS-0680021	Flat Washer	1/4"	8



## Stand Assembly

Index No.	Part No.	Description	Size	Qty
1	31-0027	Handwheel Assembly	8" O.D., 1/2" I.D.	1
2	TS-0270031	Socket Set-screw	5/16"-18x3/8"	2
3	BB-R8ZZ	Bearing		4
4	80-4015	Plastic Cap	3"	2
5	TS-0267051	Socket Set-screw	1/4"-20x1/2"	10
6	30-1110	Adjusting Screw Support, Extrusion (Bearing)		4
7	81-3132	Depth Gauge Knob		2
8	30-1112	Adjusting Screw Support		2
9	80-4013	Plastic Cap	1"	2
10	TS-0561051	Hex Nut	1/2"-13	2
11	30-1260	Depth Gauge		1
12	30-5104	Inboard Table Support		1
13	10-9906	Brass Tip Socket Head Set-screw	5/16"-18x3/4"	4
14	TS-0680031	Flat Washer	5/16"	4
15	TS-0561021	Hex Nut	5/16"-18	4
16	TS-0060051	Hex Cap Screw	3/8"-16x1"	16
17	TS-0680041	Flat Washer	3/8"	29
18	40-3043W	Front Table Mount Bracket		1
19	40-3042W	Rear Table Mount Bracket		1
20	72-6208	Frame Clip		1
21	30-5105	Outboard Table Support		1
22	12-0209	Flanged Lock Nut	3/8"-16	28
23	20-0755	Retaining Ring	10mm ID, 20mm OD, 1mm H.	2
24	40-0122	Table Rail		2
25	30-3250	Lead Screw (RH)		1
26	20-1101	Miter Gear		4
27	50-3107	Oilite Bushing	I.D. 1/2"	4
28	30-3044	Inboard Column Tube		1
30	20-1103	Shaft Collar	I.D. 1/2"	2
31	30-3033-01	Transfer Rod		1
32	30-3036	Outboard Column Tube		1
33	30-3215	Follow Screw (LH)		1
34	30-1101	Column Base		2
35	30-1102-02	Leg		4
36	40-3041W	Base Support Bracket		1
37	TS-0060071	Hex Cap Screw	3/8"-16x1-1/2"	9
38	TS-081C032	Pan Head Machine Screw	#10-24x1/2"	1
39	TS-0560071	Hex Nut	#10-24	1
40	30-5107	Motor Support		1
41	40-0106W	Motor Support Bracket		1
42	40-3051W	Middle Inner Belt Guard		1
43	20-0757	Retaining Ring	12mm ID, 23mm OD, 1mm H.	2
44	10-3803	Flanged Hex Head Screw	#10-24x3/8"	6
45	80-1030	Upper Belt Guard Cover		1
47	80-3131	Knob		1
48	TS-1531022	Pan Head Machine Screw	M3x8	2
49	2244PRO3-249	Digital Readout Plate		1
50	15S-314	Digital Readout		1
51	15S-600	Battery	Lithium 1.55V	1
52	15S-601	Battery Cover		1
	2244PRO3-CA	Caster Assembly, Single (Includes #53 - #55)		
53	2244PRO3-253	Caster		4
54	TS-0680061	Flat Washer	1/2"	4
55	TS-0561051	Hex Nut	1/2"-13	4
56	TS-0060061	Hex Cap Screw	3/8"-16x1-1/4"	2
57	2244PRO3-257	Special Set-screw	1/2"-13x1/2"	2

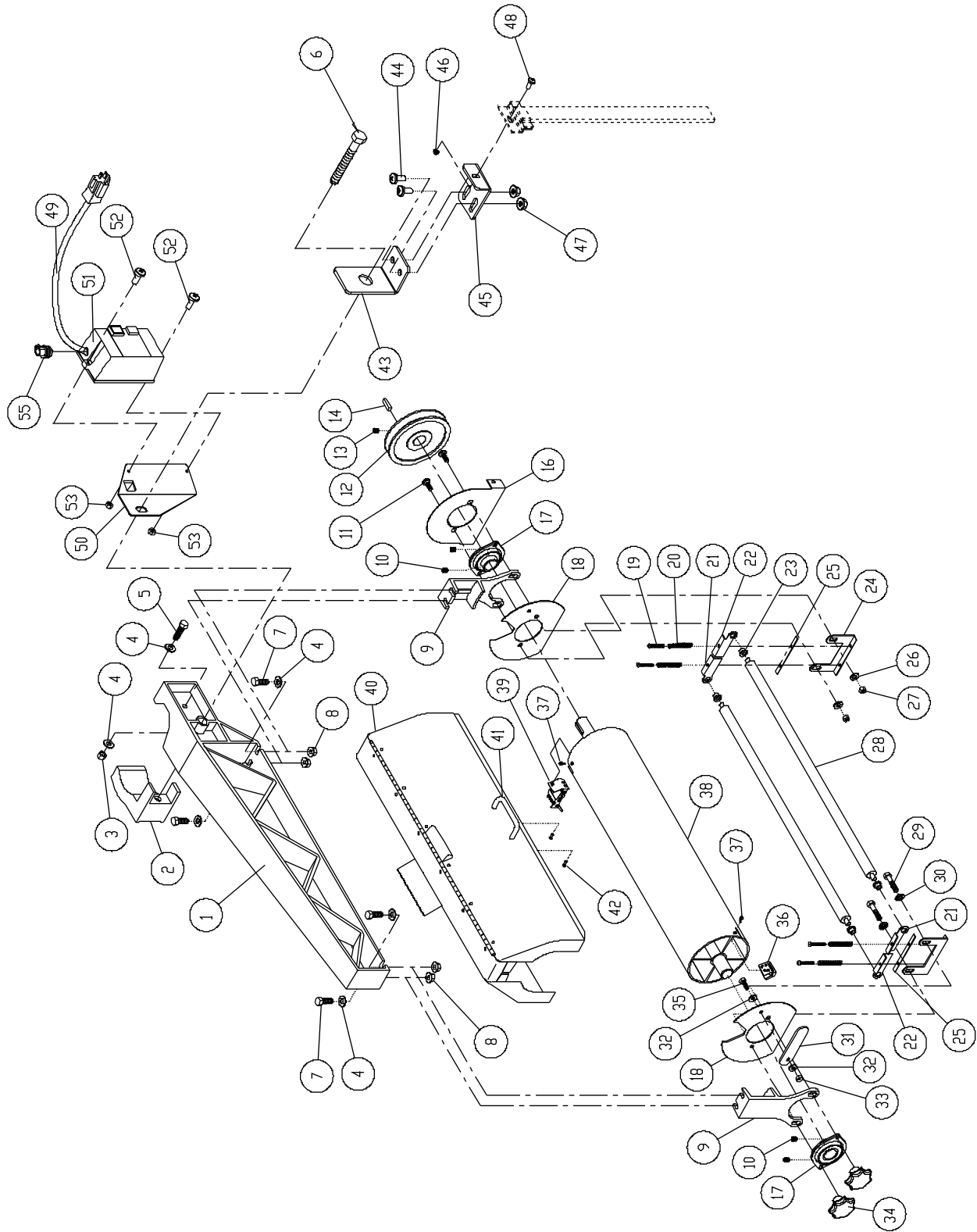
# Stand Assembly



## Drum Head Assembly

Index No.	Part No.	Description	Size	Qty
1	30-0002W	Drum Carriage Arm		1
2	30-0015W	Clamp Jaw		1
3	TS-0561031	Hex Nut	3/8"-16	1
4	TS-0680041	Flat Washer	3/8"	6
5	TS-0060061	Hex Cap Screw	3/8"-16x1-1/4"	1
6	30-0059	Clamp Bolt		1
7	TS-0060051	Hex Cap Screw	3/8"-16x1"	4
8	12-0209	Flanged Lock Nut	3/8"-16	4
9	30-0010W	Carriage Leg		2
10	10-8602	Nyloc Socket Head Set-screw	1/4"-28x1/4"	4
11	TS-0152011	Carriage Bolt	5/16"-18x1"	2
12	50-2501	Driven Pulley	5"	1
13	10-2903	Nyloc Socket Head Set-screw	5/16"-18x1/4"	2
14	20-0762	Keystock	1/4"x1/4"x1"	1
	40-0305	Drum Alignment Template (not shown)		2
16	40-3050W	Upper Inner Belt Guard		1
17	50-3067	Drum Bearing		2
18	40-0050W	Drum Shield		2
19	10-3108	Phillips Fillister Head Screw	#8-32x1"	4
20	20-3211	Tension Roller Spring		4
21	40-0303	Left Tension Roller Support Bracket		2
22	40-0302	Right Tension Roller Support Bracket		2
23	50-3105	Oilite Bushing	I.D. 5/16"	4
24	40-0304	Tension Roller Bracket		2
25	80-1060	Tension Roller Bracket Pad		2
26	TS-0680031	Flat Washer	5/16"	2
27	TS-0561021	Hex Nut	5/16"-18	2
28	30-3051-02	Tension Roller		2
29	TS-0051061	Hex Cap Screw	5/16"-18x1-1/4"	2
30	11-0505	Internal Tooth Lock Washer	5/16"	2
31	40-0015	Drum Adjustment Lever		1
32	TS-0680021	Flat Washer	1/4"	2
33	TS-0640071	Nylon Insert Lock Nut	1/4"-20	1
34	80-3133	Drum Adjustment Knob		2
35	TS-0050031	Hex Cap Screw	1/4"-20x3/4"	1
36	21-1173	Outboard Abrasive Fastener		1
37	10-3003	Flat Head Phillips Screw	#6-32x3/8"	2
38	2148004	Sanding Drum		1
39	21-1172	Inboard Take-Up Abrasive Fastener		1
40	81-2122W	Dust Cover Assembly		1
41	80-2343	Dust Cover Handle		1
42	10-3904	Self Tap Screw	#8x1/2"	2
43	2244PRO3-343	Upper Bracket		2
44	TS-081F032	Pan Head Machine Screw	1/4"-20x3/4"	2
45	2244PRO3-345	Lower Bracket		1
46	TS-0560081	Hex Nut	#10-32	1
47	TS-0561011	Hex Nut	1/4"	2
48	TS-081D032	Pan Head Machine Screw	#10-32x1/2"	1
49	2244PRO3-349	Cord, Magnetic Switch to Control Housing		1
50	2244PRO3-350	Switch Plate		1
51	2244PRO3-351	Magnetic Switch		1
52	TS-081C052	Pan Head Machine Screw	#10-24x3/4"	2
53	TS-0560071	Hex Nut	#10-24	2
55	2244PRO3-355	Strain Relief		2
	98-0060	TufTool (not shown)		1

# Drum Head Assembly

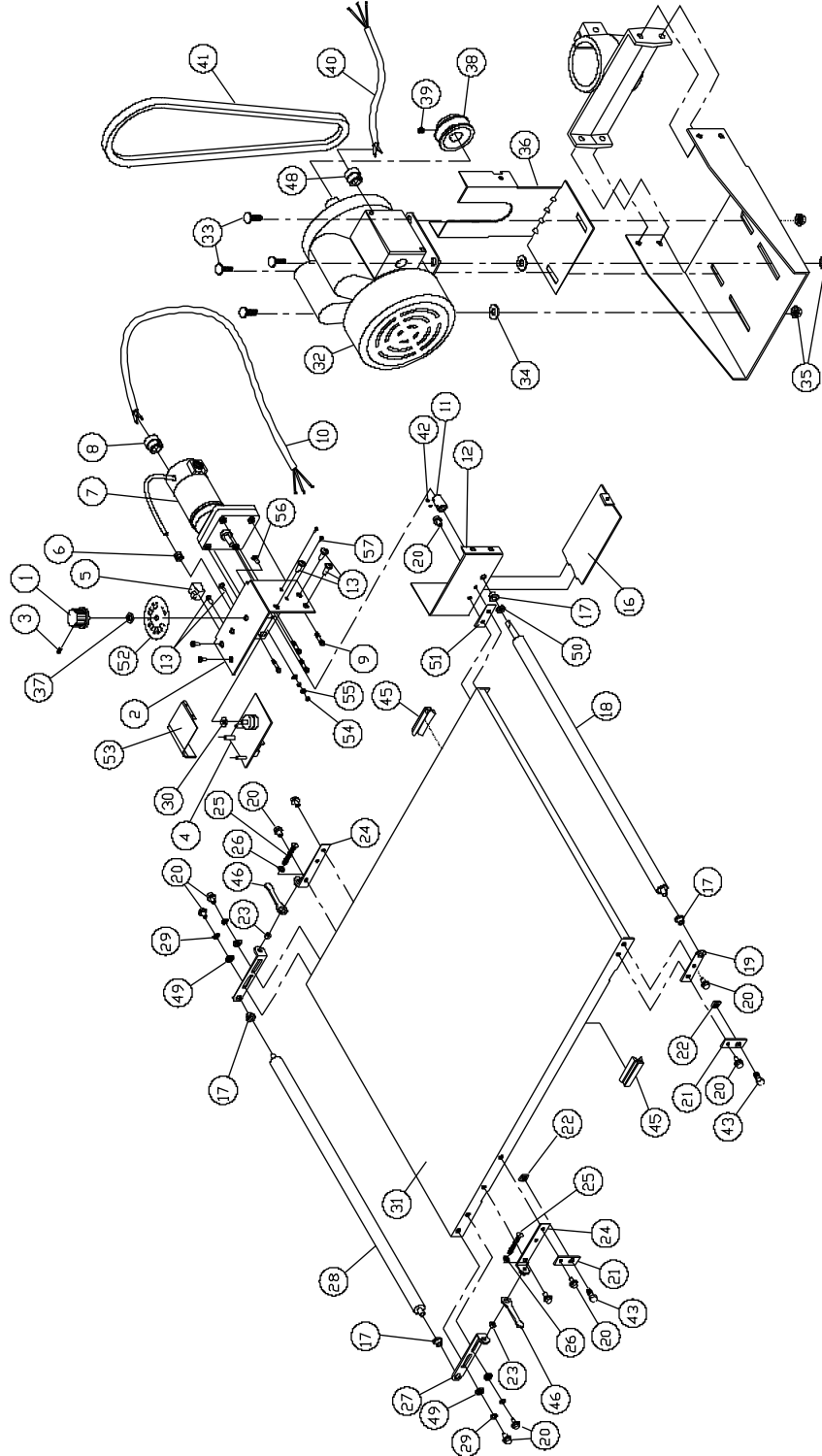


## Conveyor and Motor Assembly

Index No.	Part No.	Description	Size	Qty
1	72-2250-01	Knob		1
2	2244PRO3-402	Control Housing Bracket		1
3	72-2250-05	Set-screw Slotted	#8-36UNFx5/16"	1
4	2244PRO3-404	SandSmart Controller		1
5	72-2120	Receptacle	115 Volt	1
6	72-6101	Small Strain Relief		1
7	2244PRO3-407	Gear Motor Assembly	180V DC	1
	2244PRO3-407BS	Brush and Spring Kit (Gear Motor)		2
8	72-6105	Large Strain Relief		1
9	6760031	Socket Head Cap Screw	#10-32x1/2"	4
10	2244PRO3-410	Power Cord		1
11	30-0122	Shaft Coupling		1
12	2244PRO3-412	Controller Base Bracket		1
13	10-9002	Slotted Hex Head Screw	#10-32x1/2"	5
16	40-4022W	Control Housing Base Cover		1
17	50-3105	Oilite Bushing	I.D. 5/16"	4
18	30-3050-02	Drive Roller		1
19	40-0005	Drive Roller Support Bracket		1
20	10-9010	Hex Washer Head Bolt	1/4"-20x1/2"	12
21	40-0006	Conveyor Mounting Bracket		4
22	12-0152	Square Nut	5/16"-18	4
23	TS-0561011	Hex Nut	1/4"-20	2
24	40-0004	Take-Up Stationary Bracket		2
25	10-3213	Slotted Round Head Screw	1/4"-20x1-3/4"	2
26	TS-0732041	Internal Tooth Lock Washer	1/4"	2
27	40-0003	Take-Up Slide Bracket		2
28	30-3010-02	Driven Roller		1
29	20-1161	Wave Washer	1/4"	4
30	72-2250-03	Washer	5/16	1
31	40-0002	Conveyor Bed		1
32	2244PRO3-432	Motor, TEFC	3HP, 230V, 1Ph	1
	2244PRO3-432MF	Motor Fan (not shown)		1
	2244PRO3-432MFC	Motor Fan Cover (not shown)		1
	2244PRO3-432CS	Centrifugal Switch (not shown)		1
	2244PRO3-432SC	Starting Capacitor (not shown)	125VAC, 600MFD	1
	2244PRO3-432RC	Running Capacitor (not shown)	300VAC, 40 $\mu$ F	1
	2244PRO3-432SCC	Starting Capacitor Cover (not shown)		1
	2244PRO3-432RCC	Running Capacitor Cover (not shown)		1
	2244PRO3-432JB	Junction Box (not shown)		1
	2244PRO3-432JBC	Junction Box Cover (not shown)		1
33	6086013	Carriage Bolt	5/16"-18x3/4"	4
34	11-0104	Hardened Flat Washer	3/8"	2
35	12-0207	Flanged Lock Nut	5/16"-18	4
36	40-0997W	Lower Inner Belt Guard		1
37	72-2250-04	Nut, Hex	5/16"-24	1
38	50-0251	Drive Pulley		1
39	10-8902	Nyloc Socket Head Set-screw, Cup Pt	5/16"-18x1/4"	2
40	2244PRO3-440	Motor Cord		1
41	50-2009	V-Belt		1
42	TS-0267021	Socket Head Set-screw	1/4"-20x1/4"	2
43	TS-0081031	Hex Cap Screw	5/16"-18x3/4"	4
	60-0321-P	Conveyor Belt (not shown)		1
45	98-0080	Tracker		2
46	40-0260	Wrench		2
48	72-6104	Strain Relief		1
49	TS-0680021	Flat Washer	1/4"	4
50	3735140	Washer	5/16"	1

# Conveyor and Motor Assembly

Index No.	Part No.	Description	Size	Qty
51	3735141	Spacer		1
52	72-2250-02	Speed Adjustment Label		1
53	40-4018	Wiring Guard		1
54	TS-0560081	Hex Nut	#10-32	2
55	TS-073203	Internal Tooth Lock Washer	#10	2
56	TS-081D032	Phillips Pan Head Machine Screw	#10-32x1/2"	1
57	2244PRO3-457	Phillips Pan Head Machine Screw	#6-32x3/8"	2



# Electrical Schematic

