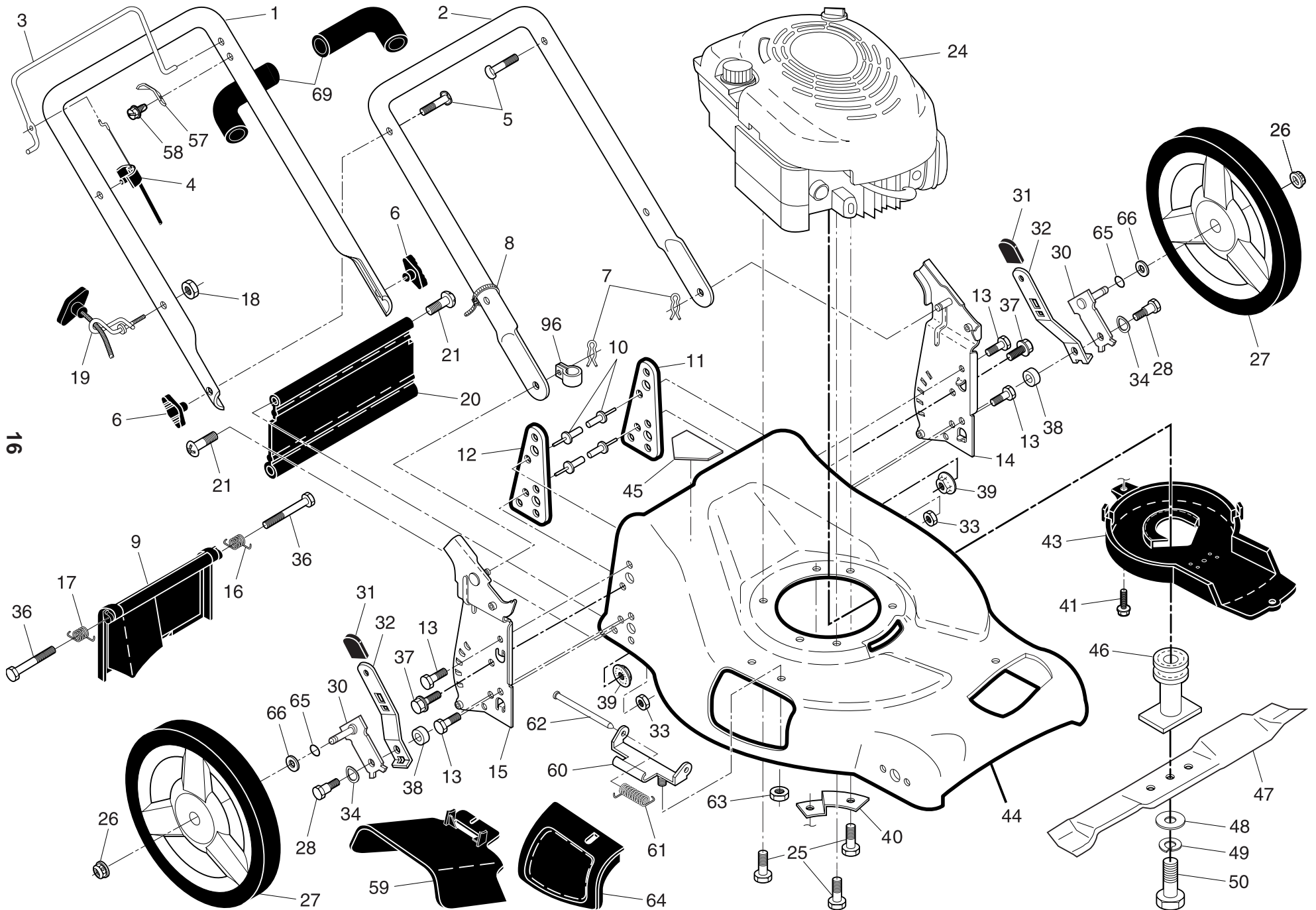


ROTARY LAWN MOWER - - MODEL NUMBER 65021CHV (96143001904) - PRODUCT NUMBER 961 43 00-19



# ROTARY LAWN MOWER - - MODEL NUMBER 65021CHV (96143001904) - PRODUCT NUMBER 961 43 00-19

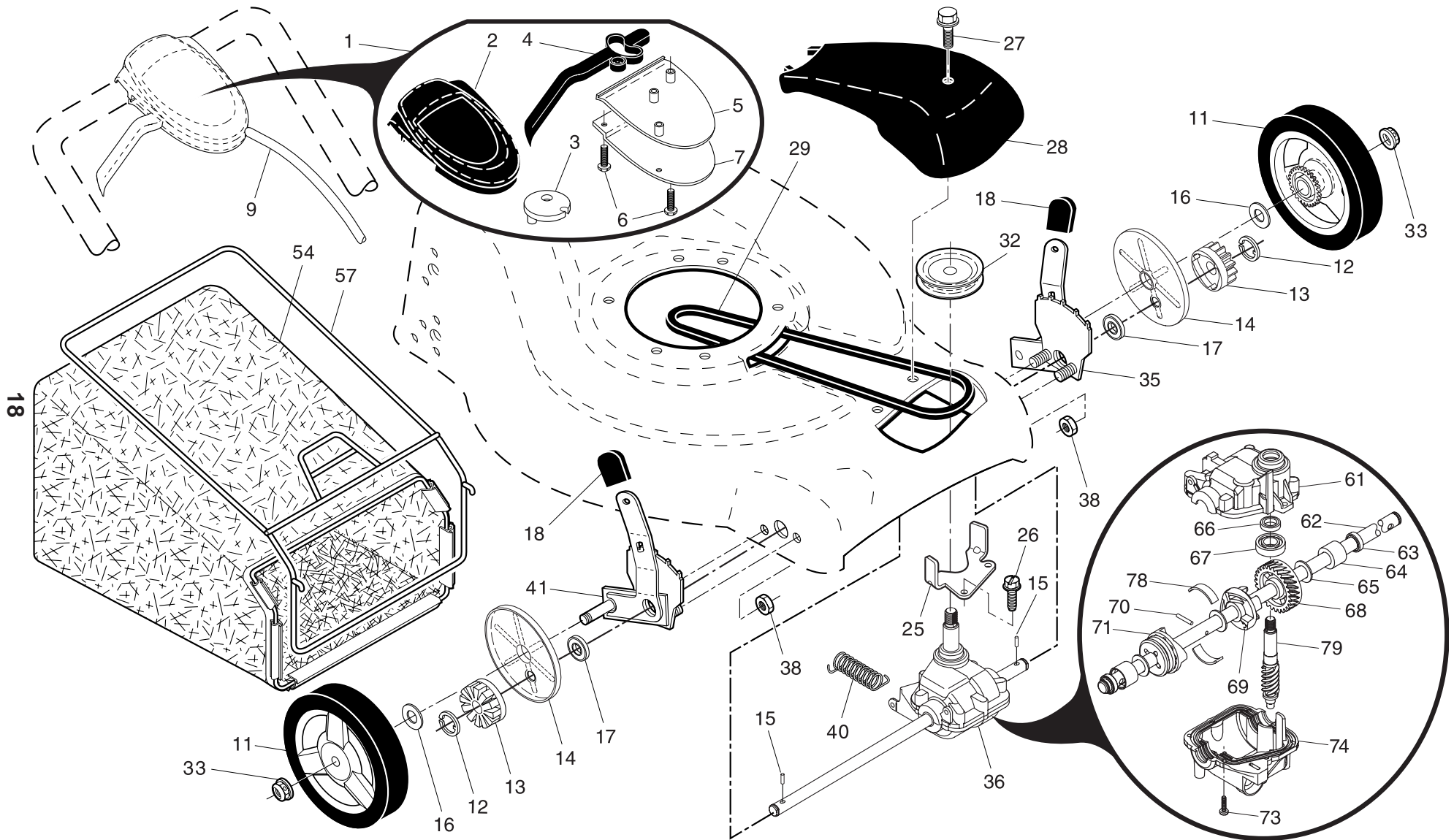
17

KEY NO.	PART NO.	DESCRIPTION	KEY NO.	PART NO.	DESCRIPTION
1	532 19 64-03	Upper Handle, with Foam Grip	33	873 80 05-00	Nut, Hex 5/16-18
2	532 15 34-18	Lower Handle	34	532 40 16-30	Washer, Curved, Cylindrical
3	532 19 70-19	Control Bar	36	532 18 41-93	Bolt
4	532 18 35-67	Engine Zone Control Cable	37	874 78 05-12	Thread Cutting Screw w/Sems 5/16-18 x 3/4
5	532 19 15-74	Handle Bolt	38	532 40 16-29	Spacer
6	532 19 18-56	Handle Knob	39	<b>532 15 53-77</b>	Nut, Flange
7	532 05 17-93	Hairpin Cotter	40	532 19 09-39	Mounting Bracket, Debris Shield
8	532 06 64-26	Wire Tie	41	532 19 23-25	Screw
9	532 40 69-85	Rear Door Assembly	43	532 40 58-44	Debris Shield
10	532 12 84-15	Pop Rivet	44	<b>532 41 78-07</b>	Kit, Lawn Mower Housing (Includes Key Numbers 10, 11, 12 and 45)
11	532 41 05-40	Support Bracket, LH	45	532 40 47-63	Danger Decal
12	532 41 05-42	Support Bracket, RH	46	532 19 40-37	Blade Adapter / Pulley
13	817 06 04-10	Screw 1/4-20 x 5/8	47	532 40 67-12	Blade, 21"
14	532 19 60-37	Handle Bracket Assembly, LH	48	532 85 10-74	Hardened Washer
15	532 19 60-36	Handle Bracket Assembly, RH	49	532 85 02-63	Helical Washer 3/8-24 x 1-3/8 Grade 8
16	532 40 54-17	Spring, Rear Door, LH	50	532 85 10-84	Hex Head Machine Screw 3/8-24 x 1-3/8 Grade 8
17	532 40 54-18	Spring, Rear Door, RH	57	532 12 51-62	Upstop Bracket
18	532 13 20-04	Keps Locknut 1/4-20	58	532 75 06-34	Screw
19	532 19 47-88	Rope Guide	59	532 18 55-82	Discharge Deflector
20	<b>532 41 31-59</b>	Rear Skirt	60	532 17 57-35	Hinge Bracket
21	532 08 86-52	Screw, Hinge 1/4-20 x 1/2	61	532 19 30-00	Spring
24	- - -	Engine, Briggs & Stratton, Model Number 124T02 (For engine service and replacement parts, call Briggs & Stratton at 1-800-233-3723)	62	532 17 56-50	Hinge Rod
25	532 15 04-06	Hex Head Thread Rolling Screw 3/8-16 x 1-1/8	63	873 80 04-00	Nut, Hex
26	532 40 91-49	Hex Flange Nut	64	532 18 55-76	Mulcher Door
27	532 41 08-15	Wheel & Tire Assembly, Rear, 12"	65	532 19 74-80	O-Ring
28	532 40 16-38	Shoulder Bolt 5/16-18 x .33	66	532 08 83-48	Washer, Flat 1/2
30	532 41 31-41	Axle Arm Assembly, Rear	69	532 18 27-48	Grip, Foam
31	532 19 64-01	Selector Knob	96	532 19 79-91	Clip, Cable
32	532 40 98-89	Selector Spring	--	532 40 47-64	Decal, Warning (not shown)
			--	<b>532 41 81-19</b>	Owner's Manual, English / French

**NOTE:** All component dimensions given in U.S. inches. 1 inch = 25.4 mm

**IMPORTANT:** Use only Original Equipment Manufacturer (O.E.M.) replacement parts. Failure to do so could be hazardous, damage your lawn mower and void your warranty.

# ROTARY LAWN MOWER - - MODEL NUMBER 65021CHV (96143001904) - PRODUCT NUMBER 961 43 00-19



# ROTARY LAWN MOWER - - MODEL NUMBER 65021CHV (96143001904) - PRODUCT NUMBER 961 43 00-19

19

KEY NO.	PART NO.	DESCRIPTION	KEY NO.	PART NO.	DESCRIPTION
1	532 40 73-16	Drive Control Assembly	35	532 40 88-62	Kit, Wheel Adjuster, LH (Includes Knob and Bearing)
2	532 41 16-73	Cover, Drive Control, Upper	36	532 40 48-33	Gearcase Assembly, Complete
3	<b>532 40 62-62</b>	Pulley	38	873 80 04-00	Locknut, Hex 1/4-20
4	532 19 00-39	Lever, Drive Control	40	532 40 65-58	Spring
5	532 41 16-64	Cover, Drive Control, Lower	41	532 40 88-61	Kit, Wheel Adjuster, RH (Includes Knob and Bearing)
6	532 18 16-98	Screw	54	532 40 11-90	Grassbag Assembly
7	532 40 07-23	Mounting Bracket, Drive Control	57	<b>532 41 19-50</b>	Frame, Grassbag
9	532 40 62-59	Cable, Drive	61	532 41 07-26	Case, Upper
11	532 41 10-81	Wheel & Tire Assembly	62	532 41 09-49	Shaft, Output
12	812 00 00-58	E-Ring	63	532 18 35-08	Seal, Output Shaft
13	532 40 38-49	Pinion	64	532 18 35-11	Bushing
14	532 18 94-03	Dust Cover	65	532 18 35-09	Washer
15	<b>532 40 48-45</b>	Pawl, Drive	66	532 18 35-14	Seal, Worm Shaft
16	532 06 77-25	Washer 1/2 x 1-1/2 x .134	67	532 18 35-06	Bearing, Ball
17	<b>532 19 10-39</b>	Bearing, Wheel Adjuster	68	532 41 07-29	Gear, 28 Teeth
18	532 19 64-01	Selector Knob	69	<b>532 41 07-30</b>	Movable Dog Clutch
25	532 41 16-63	Belt Keeper	70	532 41 07-33	Pin
26	532 16 34-09	Screw	71	<b>532 41 07-32</b>	Fixed Dog Clutch
27	532 17 52-62	Screw, Pan Head, Self-Tapping #10-24 x 2-3/4	73	532 18 35-13	Screw, Case
28	532 18 57-15	Drive Cover	74	532 41 07-34	Case, Lower
29	532 1941-49	V-Belt	78	532 41 07-31	Spring, Leaf
32	532 19 40-18	Drive Pulley	79	532 41 07-27	Shaft, Worm
33	532 40 91-48	Locknut, Hex			

**NOTE:** All component dimensions given in U.S. inches. 1 inch = 25.4 mm

**IMPORTANT:** Use only Original Equipment Manufacturer (O.E.M.) replacement parts. Failure to do so could be hazardous, damage your lawn mower and void your warranty.