



SERVICE PARTS LIST

BULLETIN NO.
55-40-0323

SPECIFY CATALOG NO. AND SERIAL NO. WHEN ORDERING PARTS		REVISED BULLETIN 55-40-0322	DATE Oct.'92
VARIABLE SPEED DOUBLE INSULATED SAWZALE®			
CATALOG NO. 6512-4	STARTING SERIAL NO.	600-12274	
		WIRING INSTRUCTION 58-03-1325	

EXAMPLE:
Component Parts (Small #) Are Included
When Ordering The Assembly (Large #).

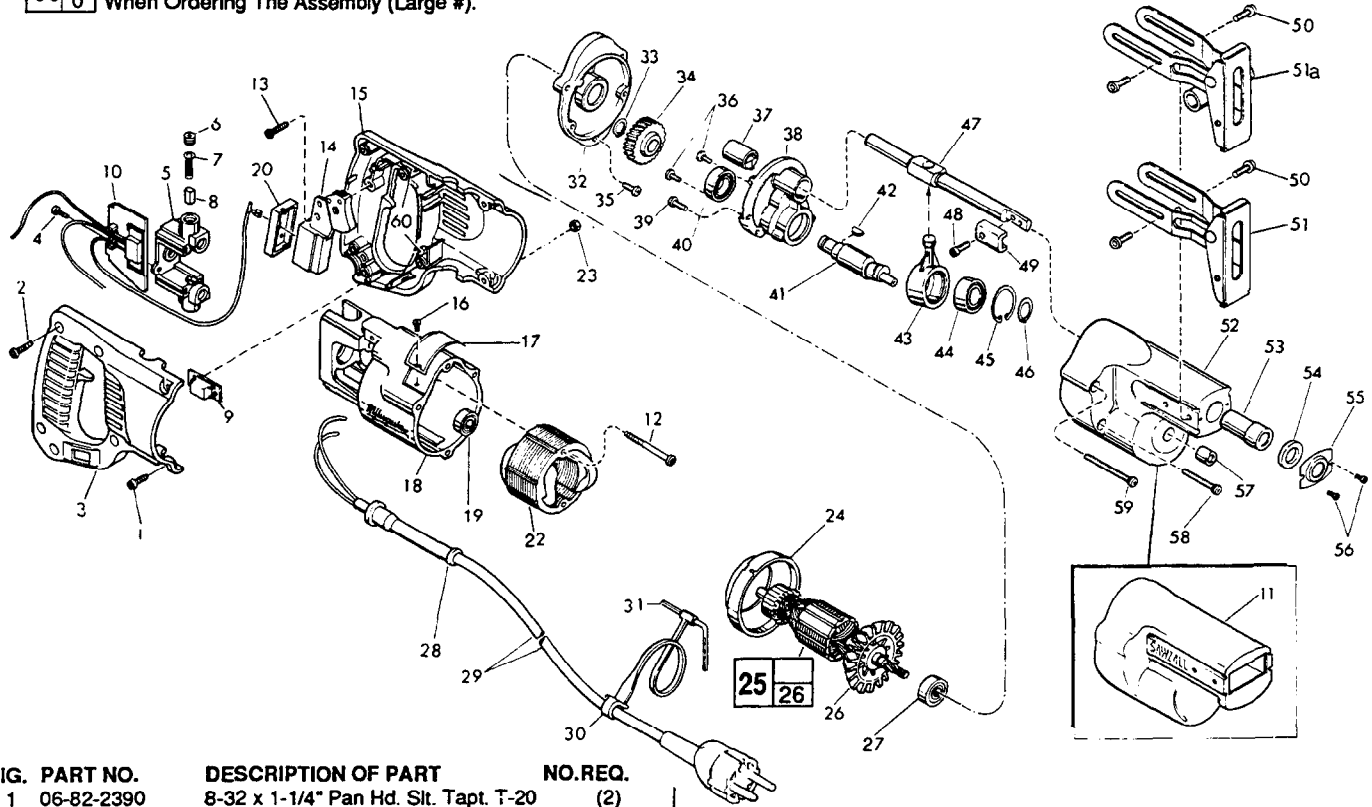


FIG. PART NO.	DESCRIPTION OF PART	NO. REQ.
★ 1	06-82-2390 8-32 x 1-1/4" Pan Hd. Slit. Tapt. T-20	(2)
2	06-82-7270 8-16 x 5/8" Pan Hd. Slit. Plast. T-20	(5)
★ 3	31-44-1651 Right Handle Half	(1)
4	06-82-7240 6-19 x 1/2" Pan Hd. Slit. Plast. T-15	(2)
5	22-22-1330 Brush Holder Assembly	(1)
6	23-44-0190 Brush Retaining Cap	(2)
7	23-52-0160 Brush Spring	(2)
8	22-16-0375 Carbon Brush	(2)
9	31-53-0120 Plug	(1)
10	14-20-0425 Remote Switch Assembly	(1)
11	45-12-0305 Gear Case Insulator	(1)
12	06-82-7395 8-16 x 1-3/4" Pan Hd. Plast. T-20	(2)
13	06-82-7270 8-16 x 5/8" Pan Hd. Slit. Plast. T-20	(1)
14	23-66-1975 Switch	(1)
★ 15	14-34-0423 Handle Assembly	(1)
16	06-85-0200 Nameplate Screw	(2)
★ 17	12-99-0940 Nameplate Blank	(1)
★ 18	31-50-0842 Motor Housing	(1)
19	02-04-0845 Ball Bearing	(1)
20	45-12-0470 Dust Shield	(1)
22	18-34-0220 220 V. Field	(1)
23	06-55-0835 8-32 Hex Nut	(2)
24	31-05-0050 Baffle	(1)
25	16-34-0425 220 V. Armature	(1)
26	22-84-0531 Fan Assembly	(1)
27	02-04-0911 Ball Bearing	(1)
28	44-76-0210 Cord Protector	(1)
29	22-64-4525 Cord Set	(1)
30	48-66-4080 Key Holder	(1)
31	49-96-0070 5/32" Socket Wrench	(1)
★ 32	28-28-0350 Diaphragm	(1)
33	34-60-0920 External Retaining Ring	(1)
34	32-40-1920 Intermediate Gear	(1)
35	06-82-6070 8-16 x 5/8" Fil. Hd. Plast. T-20	(1)
36	06-95-0075 6-32 x 3/8" Truss Hd. Taptite Screw	(2)
37	42-24-0250 Rear Spindle Bearing	(1)
38	28-72-1002 Bearing Plate	(1)
39	06-82-0020 8-32 x 1/2" Fil. Hd. Taptite T-20	(2)
40	02-04-1510 Ball Bearing	(1)

FIG. PART NO.	DESCRIPTION OF PART	NO. REQ.
★ 41	36-92-0720 Wobble Shaft Assembly	(1)
42	06-42-1200 Woodruff Key	(1)
43	30-72-0060 Wobble Plate	(1)
44	02-04-1510 Ball Bearing	(1)
45	34-80-2355 Internal Retaining Ring	(1)
46	34-60-1200 Retaining Ring	(1)
47	38-50-5410 Reciprocating Spindle	(1)
48	06-75-2400 10-32 x 1/2" Pan Hd. Taptite Sems	(1)
49	42-68-0073 Blade Clamp	(1)
50	06-95-6270 10-24 x 1/2" Pan Hd. Taptite Sems	(4)
51	45-16-0495 Pivot Shoe Assembly	(1)
51a	45-16-0590 Pivot Shoe Assembly-European	(1)
52	28-14-1780 Gear Case	(1)
53	42-24-0320 Spindle Bearing	(1)
54	45-06-0300 Felt Seal	(1)
55	44-86-0370 Seal Retainer	(1)
56	06-95-0050 4-40 x 3/16" Pan Hd. Taptite Screw	(2)
57	02-50-1640 Needle Bearing	(1)
58	06-82-5525 8-32 x 1-3/8" Fil. Hd. Taptite T-20	(2)
59	06-82-6217 8-16 x 1-15/16" Fil. Hd. Plast. T-20	(2)
60	14-46-1001 Foam Slug Kit - 10 Slugs	(2)
★	22-33-0290 Capacitor	(1)

FIG. NOTES
39 Apply type 242 blue loctite
33,45,46 Burr side out
37 V-notch press in from diaphragm side
53 Press .02/.03 below surface (.51/.76mm)

FIG. LUBRICATION
34,38 1/2 oz. type "A" grease, No. 49-08-0800.
52 2-1/2 oz. type "B" grease, No. 49-08-0600.

MILWAUKEE ELECTRIC TOOL CORPORATION
13135 W. LISBON RD., BROOKFIELD, WI 53005