



SERVICE PARTS LIST

BULLETIN NO.
55-40-0325

SPECIFY CATALOG NO. AND SERIAL NO. WHEN ORDERING PARTS		REVISED BULLETIN 55-40-0324	DATE July '94
VARIABLE SPEED DOUBLE INSULATED SAWZALL®			
CATALOG NO. 6512-4	STARTING SERIAL NO.	600B	
		WIRING INSTRUCTION 58-03-1327	

EXAMPLE:
Component Parts (Small #) Are Included
When Ordering The Assembly (Large #).

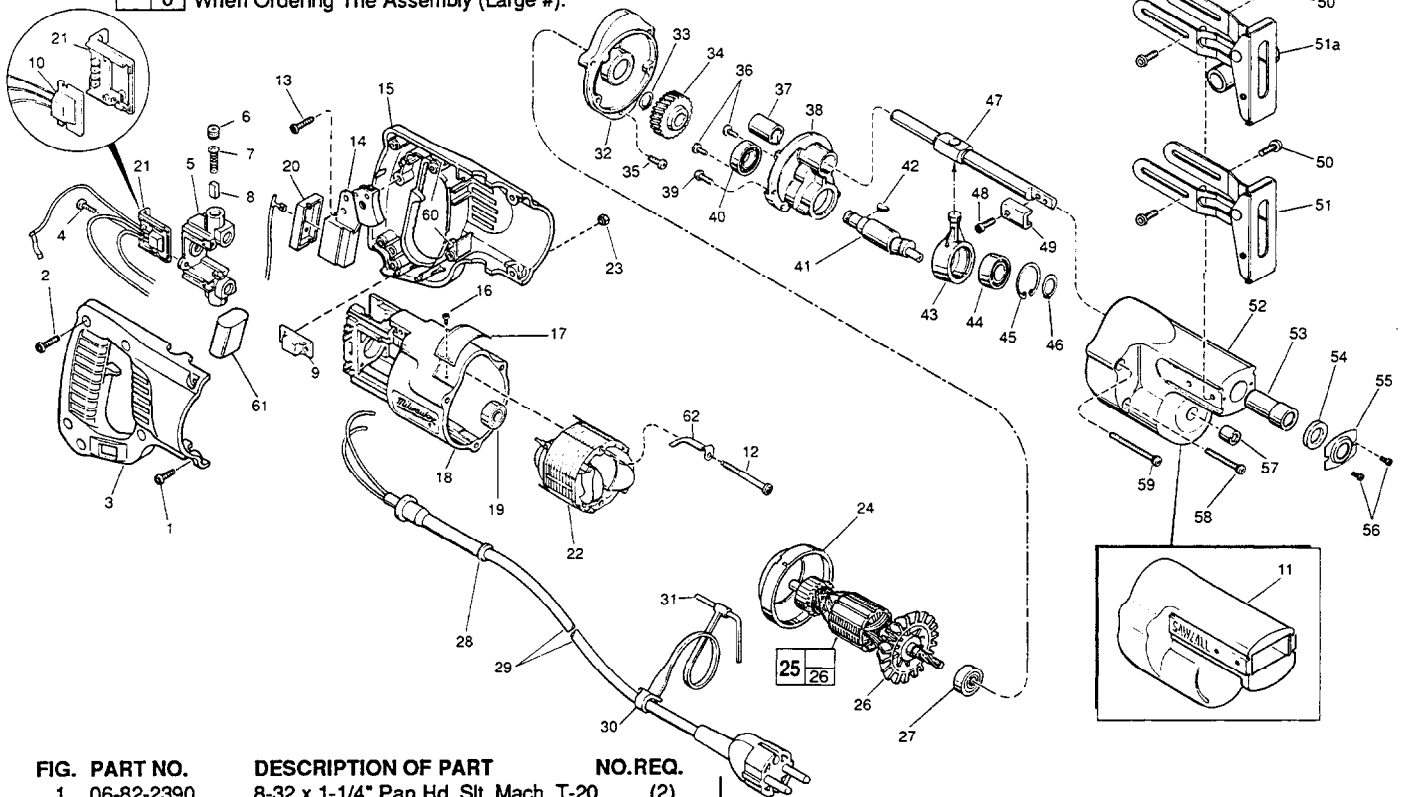


FIG.	PART NO.	DESCRIPTION OF PART	NO.REQ.
	1	8-32 x 1-1/4" Pan Hd. Slit. Mach. T-20	(2)
	2	8-16 x 5/8" Pan Hd. Slit. Plast. T-20	(5)
	3	Right Handle Half	(1)
	4	6-19 x 1/2" Pan Hd. Slit. Plast. T-15	(2)
	5	Brush Holder Assembly	(1)
	6	Brush Retaining Cap	(2)
	7	Brush Spring	(2)
	8	Carbon Brush	(2)
	9	Plug	(1)
★	10	Remote Switch Assembly	(1)
	11	Gear Case Insulator	(1)
★	12	8-16 x 1-7/8" Pan Hd. Slit. Plast. T-20	(2)
	13	8-16 x 5/8" Pan Hd. Slit. Plast. T-20	(1)
	14	23-66-1975	(1)
	15	14-34-0423	(1)
	16	06-72-1720	(2)
★	17	12-99-0941	(1)
★	18	31-50-0020	(1)
	19	02-04-0845	(1)
★	20	45-12-0470	(1)
★	21	43-72-0175	(1)
★	22	18-32-0220	(1)
	23	06-55-0835	(1)
	24	31-05-0050	(1)
	25	16-34-0425	(1)
	26	22-84-0531	(1)
	27	02-04-0911	(1)
	28	44-76-0210	(1)
	29	22-64-4525	(1)
	30	48-66-4080	(1)
	31	49-96-0070	(1)
	32	28-28-0350	(1)
	33	34-60-0920	(1)
	34	32-40-1920	(1)
★	35	05-88-8306	(1)
	36	06-95-0075	(2)
	37	42-24-0250	(1)
	38	28-72-1002	(1)
	39	06-82-3056	(2)

FIG.	PART NO.	DESCRIPTION OF PART	NO.REQ.
	40	02-04-1510	(1)
	41	36-92-0720	(1)
	42	06-42-1200	(1)
	43	30-72-0060	(1)
	44	02-04-1510	(1)
	45	34-80-2355	(1)
	46	34-60-1200	(1)
	47	38-50-5410	(1)
	48	06-75-2402	(1)
	49	42-68-0073	(1)
	50	06-95-6270	(4)
	51	45-16-0495	(1)
	51a	45-16-0590	(1)
	52	28-14-1780	(1)
	53	42-24-0320	(1)
	54	45-06-0300	(1)
	55	44-86-0370	(1)
	56	06-95-0050	(2)
	57	02-50-1640	(1)
★	59	05-88-8305	(2)
	60	14-46-1001	(2)
★	61	14-20-0590	(1)
★	62	44-60-1380	(1)

FIG. NOTES
 39 Apply type 242 blue loctite
 33,45,46 Burr side out
 37 V-notch press in from diaphragm side
 53 Press .02/.03 below surface (.51/.76mm)

FIG. LUBRICATION
 34,38 1/2 oz. type "A" grease, No. 49-08-0800.
 52 2-1/2 oz. type "B" grease, No. 49-08-0600.

MILWAUKEE ELECTRIC TOOL CORPORATION
 13135 W. LISBON RD., BROOKFIELD, WI 53005