

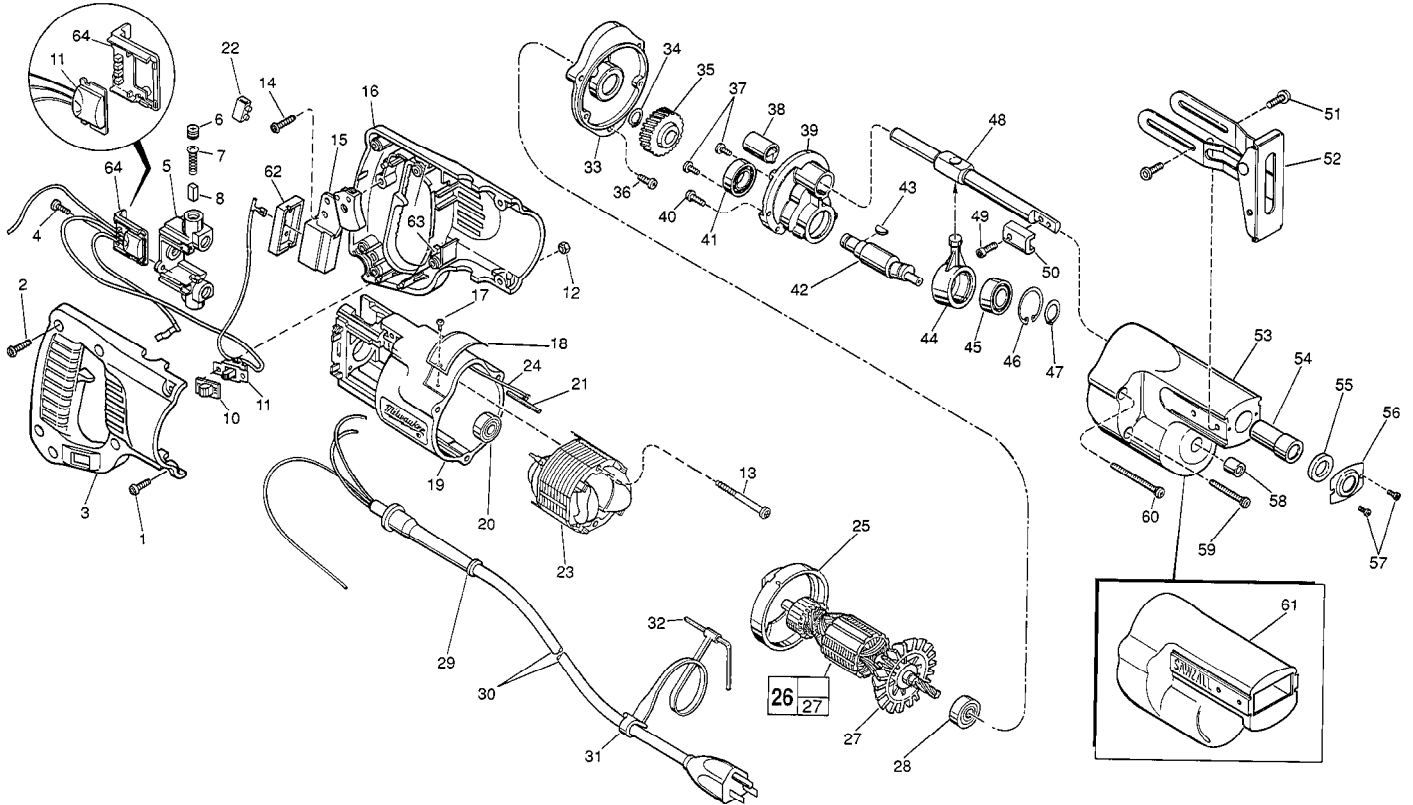


SERVICE PARTS LIST

BULLETIN NO.
54-40-0326

| | | | |
|--|---------------------------------|---|------------------|
| SPECIFY CATALOG NO. AND SERIAL NO. WHEN ORDERING PARTS | | REVISED BULLETIN 54-40-0325 | DATE Apr. '96 |
| DUAL RANGE VARI-SPEED SAWZALL | | WIRING INSTRUCTION 58-01-0257 | |
| CATALOG NO. 6535 | STARTING SERIAL NO. 748C | | |

EXAMPLE:
Component Parts (Small #)
Are Included When Ordering
The Assembly (Large #).



| FIG. | PART NO. | DESCRIPTION OF PART | NO. REQ. |
|------|------------|---------------------------------------|----------|
| ★ 1 | 06-82-2390 | 8-32 x 1-1/4" Pan Hd. Slotted T-20 | (2) |
| 2 | 06-82-7270 | 8-16 x 5/8" Pan Hd. Plastite T-20 | (5) |
| 3 | 31-44-1651 | Right Handle Half | (1) |
| ★ 4 | 06-82-7240 | 6-19 x 1/2" Pan Slotted Plastite T-15 | (2) |
| 5 | 22-22-1380 | Brush Holder Assembly | (1) |
| 6 | 23-44-0190 | Brush Retaining Cap | (2) |
| 7 | 23-52-0160 | Brush Spring | (2) |
| 8 | 22-16-0275 | Carbon Brush | (2) |
| 10 | 31-12-0190 | Switch Cap | (1) |
| ★ 11 | 14-20-0281 | Switch Assembly | (1) |
| ★ 12 | 06-55-0835 | 8-32 Hex Nut | (2) |
| ★ 13 | 06-82-7410 | 8-16 x 1-7/8" Pan Hd. Plastite T-20 | (2) |
| 14 | 06-82-7270 | 8-16 x 5/8" Pan Hd. Plastite T-20 | (1) |
| 15 | 23-66-1490 | Switch | (1) |
| 16 | 31-44-1656 | Left Handle Half | (1) |
| 17 | 06-72-1720 | Nameplate Rivet | (2) |
| 18 | 12-99-1730 | Service Nameplate | (1) |
| ★ 19 | 31-50-0020 | Motor Housing | (1) |
| 20 | 02-04-0845 | Ball Bearing | (1) |
| ★ 21 | 44-60-0530 | Ground Pin | (1) |
| ★ 22 | 22-56-0456 | Terminal Block | (1) |
| 23 | 18-31-0200 | 120 V. Field | (1) |
| ★ 24 | 23-94-6100 | Ground Wire Assembly | (1) |
| ★ 25 | 31-05-0055 | Baffle | (1) |
| 26 | 16-30-0425 | 120 V. Armature | (1) |
| 27 | 22-84-0531 | Fan Assembly | (1) |
| 28 | 02-04-0911 | Ball Bearing | (1) |
| 29 | 44-76-0210 | Cord Protector | (1) |
| 30 | 22-64-3190 | Cord Set | (1) |
| 31 | 48-66-4080 | Key Holder | (1) |
| 32 | 49-96-0070 | 5/32" Socket Wrench | (1) |
| 33 | 28-28-0345 | Diaphragm | (1) |
| 34 | 34-60-0920 | External Retaining Ring | (1) |
| 35 | 32-40-1920 | Intermediate Gear | (1) |
| ★ 36 | 05-88-8306 | K50 x 22mm Fil. Hd. PT T-20 | (1) |
| 37 | 06-95-0075 | 6-32 x 3/8" Truss Hd. Taptite Screw | (2) |
| 38 | 42-24-0250 | Rear Spindle Bearing | (1) |
| 39 | 28-72-1002 | Bearing Plate | (1) |

| FIG. | PART NO. | DESCRIPTION OF PART | NO. REQ. |
|------|------------|-------------------------------------|----------|
| 40 | 06-82-3056 | 8-32 x 1/2" Fil. Taptite T-20 | (2) |
| 41 | 02-04-1510 | Ball Bearing | (1) |
| 42 | 36-92-0720 | Wobble Shaft | (1) |
| 43 | 06-42-1200 | Woodruff Key | (1) |
| 44 | 30-72-0060 | Wobble Plate | (1) |
| 45 | 02-04-1510 | Ball Bearing | (1) |
| 46 | 34-80-2355 | Internal Retaining Ring | (1) |
| 47 | 34-60-1200 | Retaining Ring | (1) |
| 48 | 38-50-5410 | Reciprocating Spindle | (1) |
| 49 | 06-75-2402 | 10-32 x 9/16" Socket Hd. Cap Screws | (1) |
| 50 | 42-68-0073 | Blade Clamp | (1) |
| 51 | 06-95-6270 | 10-24 x 1/2" Pan Hd. Taptite Sems | (4) |
| 52 | 45-16-0495 | Pivot Shoe Assembly | (1) |
| 53 | 28-14-1780 | Gear Case | (1) |
| 54 | 42-24-0320 | Spindle Bearing | (1) |
| 55 | 45-06-0300 | Felt Seal | (1) |
| 56 | 44-86-0370 | Seal Retainer | (1) |
| 57 | 06-95-0050 | 4-40 x 3/16" Pan Hd. Taptite Screw | (2) |
| 58 | 02-50-1640 | Needle Bearing | (1) |
| 59 | 06-82-3154 | 8-32 x 1-3/8" Fil. Hd. Taptite T-20 | (2) |
| ★ 60 | 05-88-8305 | K50 x 54mm Fil. Hd. PT T-20 | (2) |
| 61 | 45-12-0305 | Gear Case Insulator | (1) |
| 62 | 45-12-0470 | Dust Shield | (1) |
| 63 | 14-46-1001 | Foam Slug Kit - 10 Slugs | (2) |
| ★ 64 | 43-72-0176 | Heat Sink Holder | (1) |

FIG. NOTES
34,46,47 Burr Side Out
38 V-Notch Press In From Diaphragm Side.
40 Apply Type 242 Blue Loctite.

FIG. LUBRICATION
35,39 1/2 Oz. Type "A" Grease, No. 49-08-0800.
53 2-1/2 Oz. Type "B" Grease, No. 49-08-0600.

MILWAUKEE ELECTRIC TOOL CORPORATION
13135 W. LISBON RD., BROOKFIELD, WI 53005